



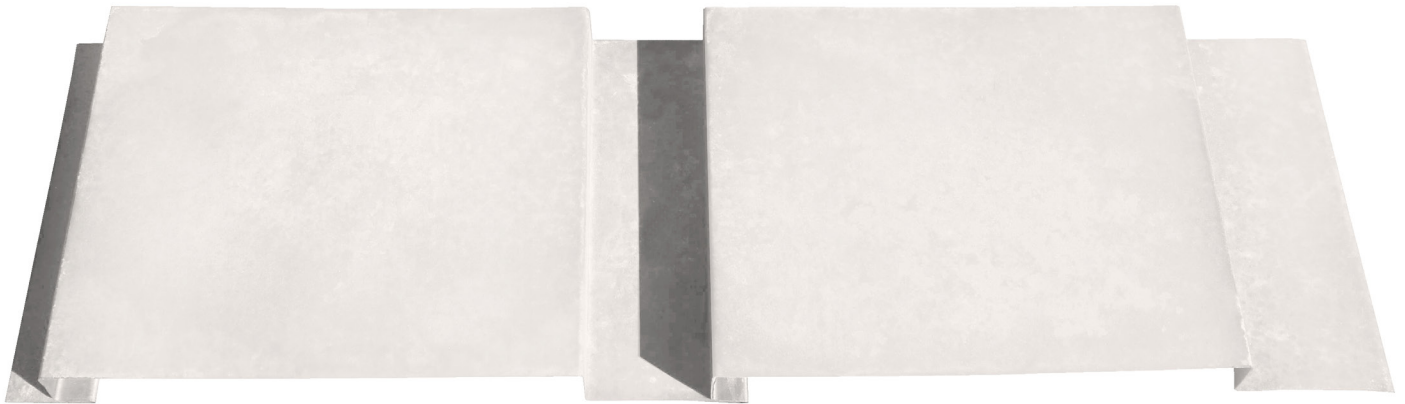
Finishes You've Never Seen Before®

WESTERN STATES METAL ROOFING

(877) 787-5467 • WESTERNSTATESMETALROOFING.COM

WESTERN REVEAL®

INSTALLATION GUIDE WITH TRIM, FLASHINGS AND DETAILS



Phoenix: 901 W Watkins St., Phoenix, AZ 85007
☎ (602) 495-0048
✉ sales@westernstatesmetalroofing.com

Tucson: 4975 E. Drexel Rd., Tucson, AZ 85706
☎ (520) 574-4247
✉ tucsonsales@westernstatesmetalroofing.com



Western States “Western Reveal ®” Wall and Soffit Panels

Installation, Flashings & Shop Drawing Detail Guide

Table of Contents

Section	Page	Section	Page
Notes to Designer /Installers	1	Custom Inside Corner Detail.....	36
Fastener Placement and Selection	2-3	Soffit to Wall Horizontal Detail	37
Western Reveal Panel Options	4-7	Parapet Wall Horizontal Detail	38
Western Reveal Profile Reveals.....	8-11	Splice /Sill Horizontal Detail.....	39
Western Reveal Stiffening Options.....	12-16	Base Horizontal Detail.....	40
Western Reveal Perforated Panel.....	17	Window/ Door Head Horizontal Detail.....	41
Key Flashing / Trims.....	18-19	Window/ Door Jamb Horizontal Detail.....	42
Soffit End Splice Detail.....	20	Window/Door Sill Horizontal Detail.....	43
Wall Splice Detail.....	21	Outside corner Horizontal Detail.....	44
Soffit End Wall Detail.....	22	Inside Corner Horizontal Detail.....	45
Alternate Soffit End wall.....	23	Notes.....	46
Soffit to Wall Drip Detail.....	24	Custom Trim.....	47
Horizontal Siding End Wall Detail.....	25	Design Considerations.....	48
Vertical Siding End Wall Detail	26		
Parapet Wall Detail.....	27		
Splice/Sill Detail	28		
Base Detail	29		
Door / Window Head Detail.....	30		
Door / Window Jamb Detail.....	31		
Door / Window Sill Detail.....	32		
Outside Corner Detail	33		
Inside Corner Detail.....	34		
Custom Outside Corner Detail.....	35		

Western States “Western Reveal ®” Panel

Installation, Flashings & Shop Drawing Detail Guide

Notes to Designer and Installers

The details contained in this guide are proven industry details and are intended to be used as a design aid and installation guide. It does not depict all situations that may be encountered on all projects. Modifications are the responsibility of the designer/ owner/ installer. Consideration should be given for Fit for Purpose, Building use, Climate conditions such as temperature, snow, wind, and moisture, Governing Building Codes, and Maintenance. It is highly recommended that all trims and flashings be of the same material as the panels (metal, gauge, finish) to ensure long term performance and durability. Where possible, flashing edges should be hemmed to strengthen the edge and protect the cut edge from exposure.

Framing and Substrates

"Western Reveal ®" panels are used over all type of substrates like Steel Framing, girts, spaced sheathing, and wood surface such as plywood. Most details in this guide are shown with panels attached to Solid Wood Decking.

Note on Underlayment

Not all conditions require an underlayment, However metal siding is susceptible to Condensation and it is recommended that an appropriate underlayment be use on all wood substrates to protect the structure during installation. For added protection from rain and snow, it is recommended to use rubberized Ice and water shield.

Technical Assistance

Contact your WSDI sales or technical representative for any additional information or assistance.

Oil Canning

Oil canning is a condition common with flat metal surfaces. This waviness is caused by steel mill tolerances, forming, variations in the structures surfaces, and hardness of the steel. Measures are taken at the roll forming process, like profile design, steel gauge, corrective leveling, to minimize the effects of oil canning. Oil Canning is a Characteristic of steel and can not be eliminated totally and therefore is not reason for rejection of the panels.

Job Site Storage

While waiting to be installed on the job site, Storage of panels, trim crates, and flat sheet should be sloped in order to allow for proper moisture run off. One end should be elevated so as not to allow ponding of water on the metal surface. When using tarps for protection, proper ventilation should be provided to prevent condensation. Moisture or condensation that is trapped inside a bundle can lead to white rust on sheeting.

References

For other installation techniques and details, The Sheet Metal and Air Conditioning Contractors National Association Inc. (SMACNA) and NRCA manuals are great resource for working with sheet metal.

Western States Metal Siding "Western Reveal" ® Panel

Installation, Flashings & Shop Drawing Detail Guide

Fastener Selection

Notes to Installers:

Fastener Selection will vary depending on type and thickness of substrate.

Design Calculations for fastener spacing should be completed by the design engineer.

The use of Butyl tape mastic, Butyl sealants and Curing Sealants is always recommended to insure weather tight installation.

Panels and flashings should never be installed in contact with dissimilar metals.

Use only those flashings and accessories designed for use with this panel.

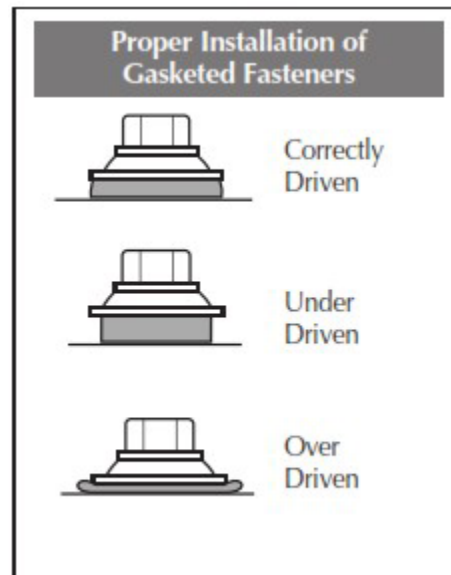
Attachment screws must be long enough to fully penetrate through roof deck substrate or penetrate solid lumber at least one inch.

Exposed Trim Fasteners should have sealing washers and be coated to provide protection against corrosion.

Screws must be properly driven to ensure holding strength and proper seal. (see diagram)

Recommended drill speed is 2000rpm. Improper setting of drill speed can lead to snapping of screw heads.

Pre drilling of screw holes may be necessary with heavy gauge metals.



Western States Metal Siding "Western Reveal" ® Panel

Installation, Flashings & Shop Drawing Detail Guide

Fastener Selection

Description

Application

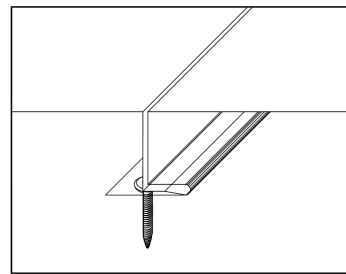
14 x 7/8" Lap Self tap
14 x 7/8 Lap Stainless

Used to attach Trims .
Stainless to be used with
A606-4 Steel



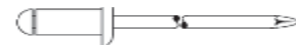
#10-12 x1" Pancake head
Wood
#10-12 x 1" SD PH Self Driller
Steel

Used to attach Panel.
Used to secure trims to
substrates. Also available in
Stainless Steel.

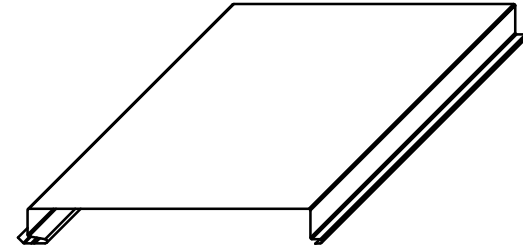
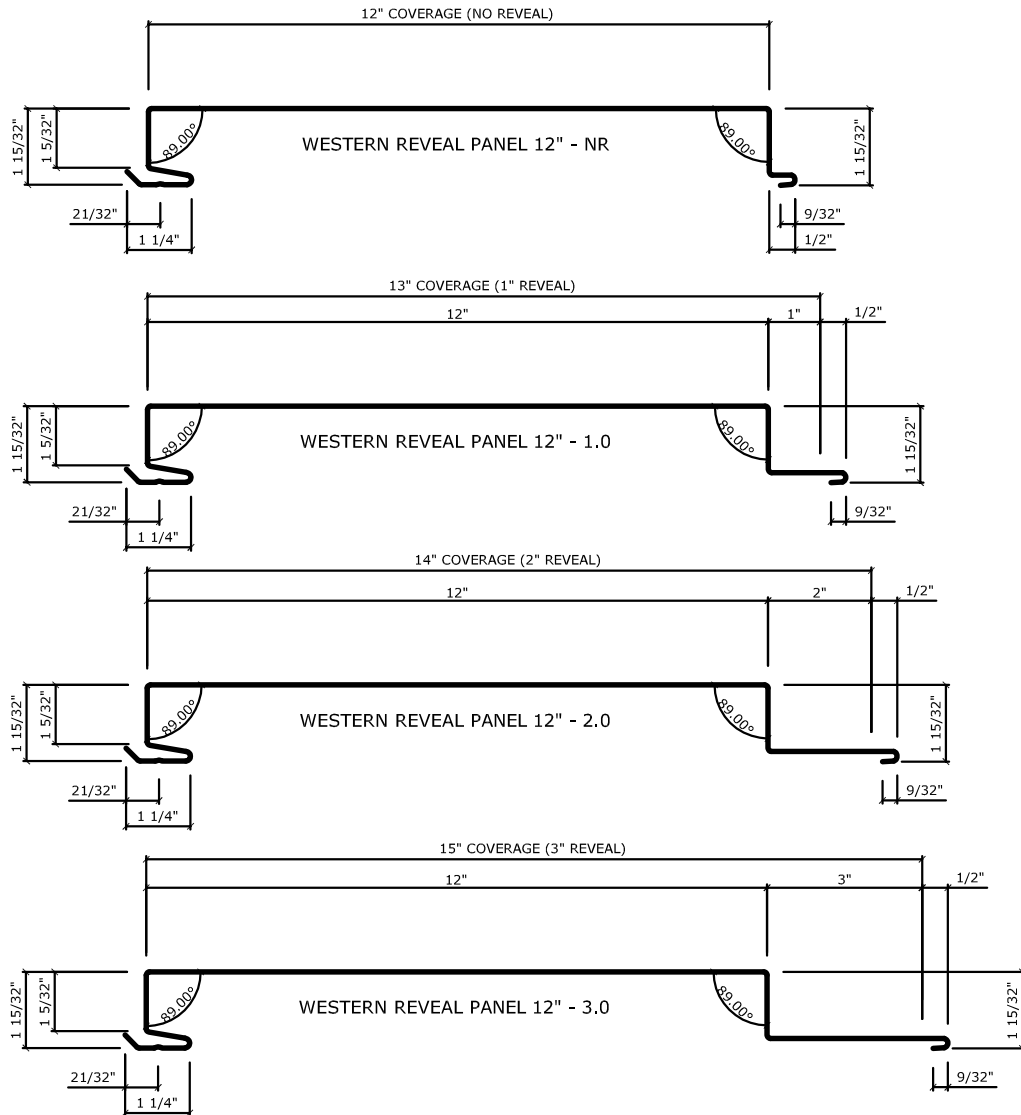


1/8" Stainless Rivets

Used for Trim to Trim
attachment or trim to wall
panels.



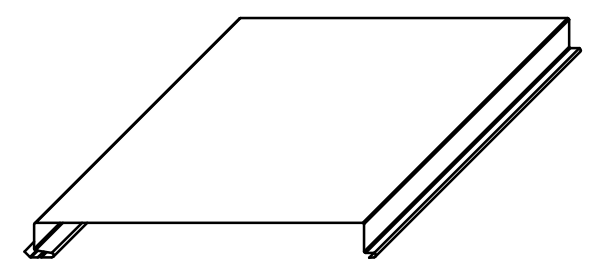
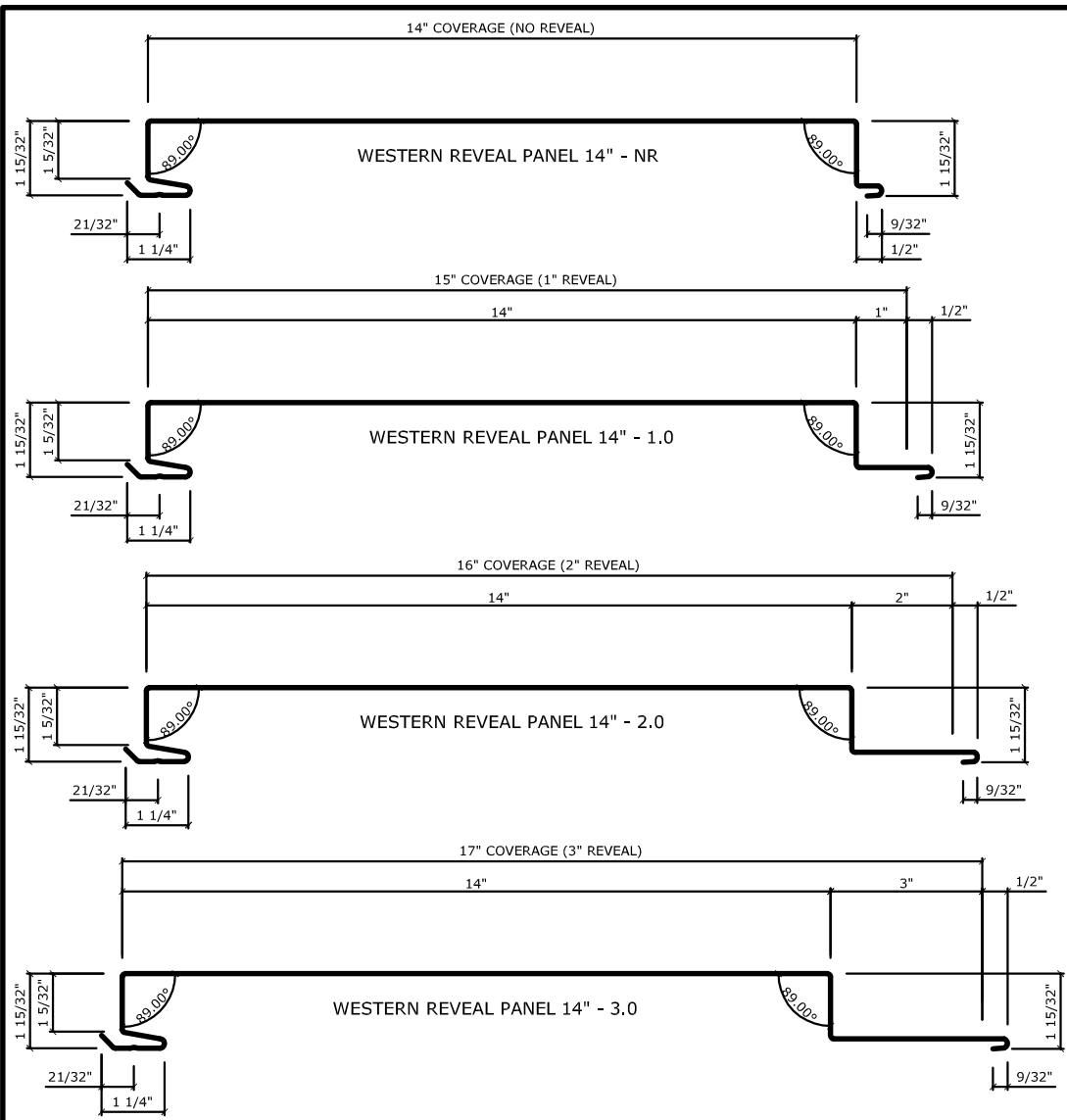
The table above shows the panel Fasteners provided by WSD. Special order screws are available.



WESTERN REVEAL PANEL	FACE	REVEAL	COVERAGE
WESTERN REVEAL PANEL 12" - NR	12"	NR	12"
WESTERN REVEAL PANEL 12" - 1.0	12"	1"	13"
WESTERN REVEAL PANEL 12" - 2.0	12"	2"	14"
WESTERN REVEAL PANEL 12" - 3.0	12"	3"	15"

Western States Metal Roofing	SCALE:	TITLE / PART NAME:		
	DRAWN:	WESTERN REVEAL - 12" FACE		
901 W. Watkins St. Phoenix, AZ 85007	DATE:	PRODUCT / PRODUCT LINE		
	CHECKED:	WESTERN REVEAL [®]		
	DATE:	PART I.D.	REVISION	SHEET

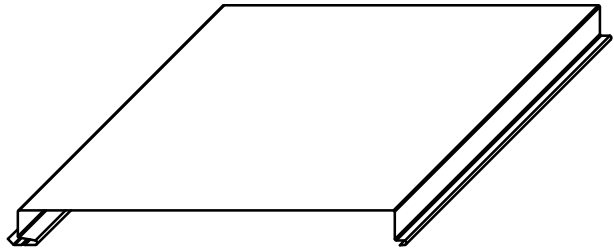
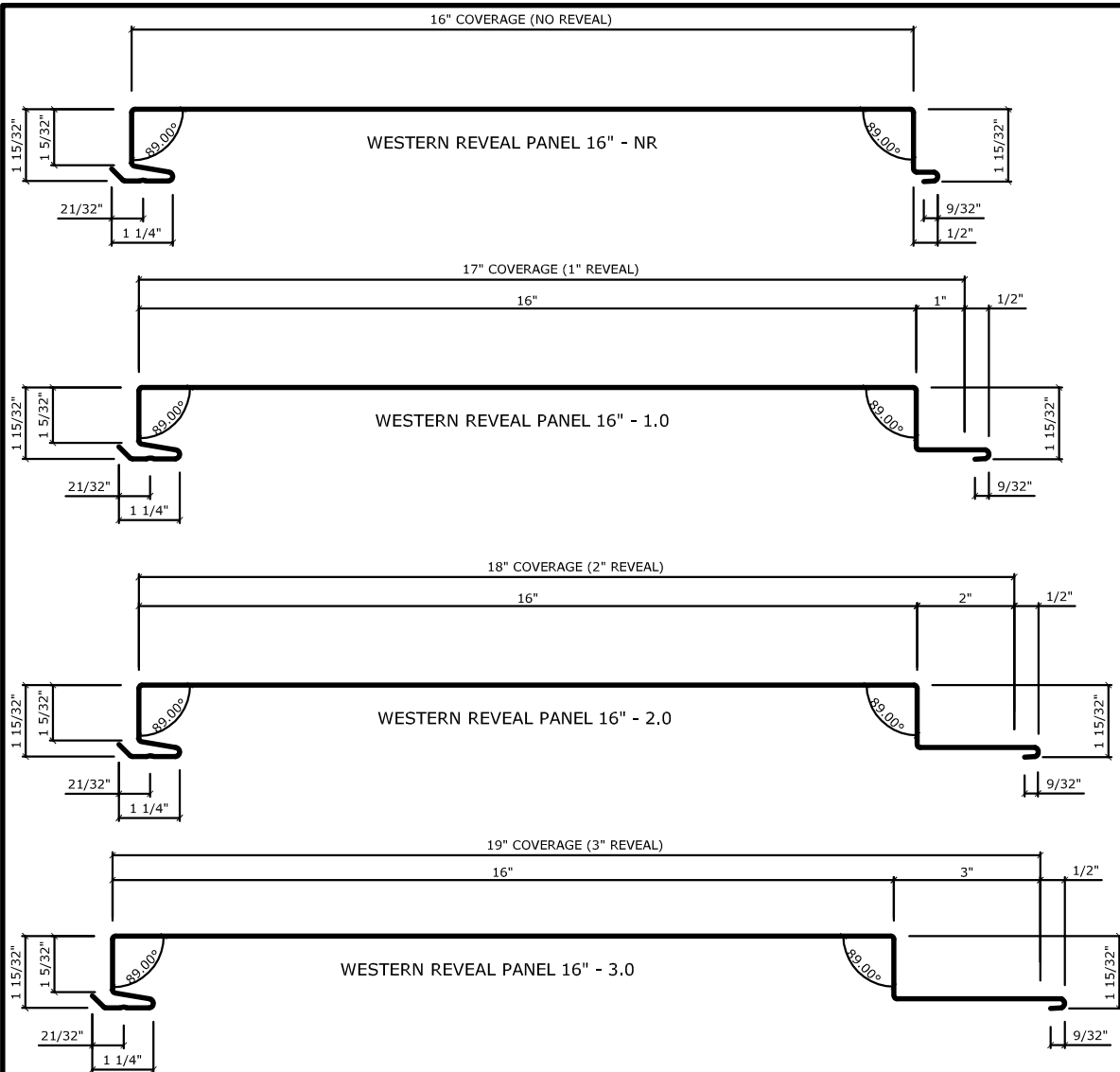
Copyright: The design and print is the property of Western States Metal Roofing, and must not be used, reproduced, or copied, wholly or in part without the written permission from the company. Supply of this design and print represents a confidential communication between the company and recipient.



WESTERN REVEAL PANEL	FACE	REVEAL	COVERAGE
WESTERN REVEAL PANEL 14" - NR	14"	NR	14"
WESTERN REVEAL PANEL 14" - 1.0	14"	1"	15"
WESTERN REVEAL PANEL 14" - 2.0	14"	2"	16"
WESTERN REVEAL PANEL 14" - 3.0	14"	3"	17"

Western States Metal Roofing	SCALE:	TITLE / PART NAME:		
	DRAWN:	WESTERN REVEAL - 14" FACE		
901 W. Watkins St. Phoenix, AZ 85007	DATE:	PRODUCT / PRODUCT LINE		
	CHECKED:	WESTERN REVEAL®		
DATE:	PART I.D.	REVISION	SHEET	

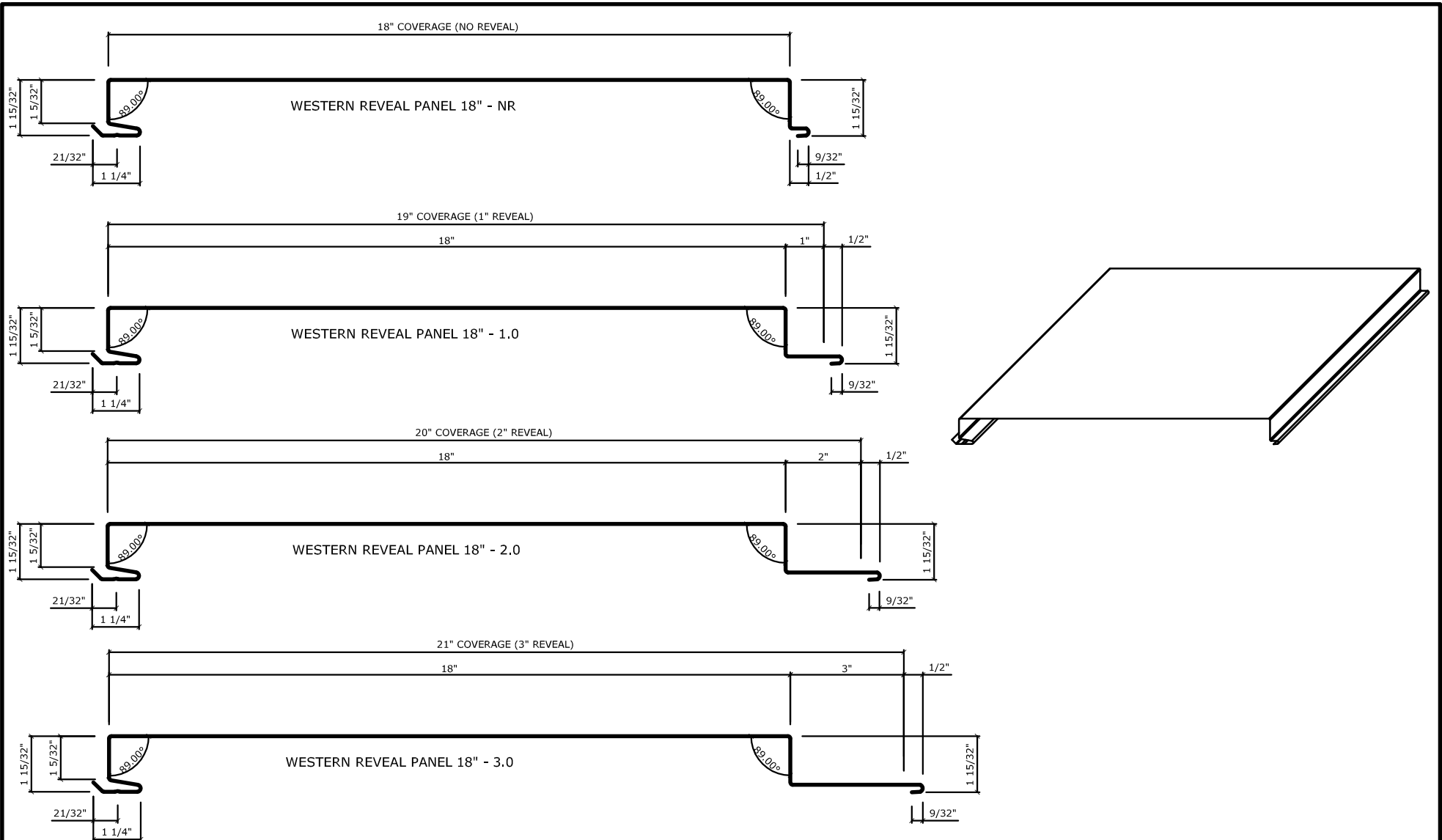
Copyright: The design and print is the property of Western States Metal Roofing, and must not be used, reproduced, or copied, wholly or in part without the written permission from the company. Supply of this design and print represents a confidential communication between the company and recipient.



WESTERN REVEAL PANEL	FACE	REVEAL	COVERAGE
WESTERN REVEAL PANEL 16" - NR	16"	NR	16"
WESTERN REVEAL PANEL 16" - 1.0	16"	1"	17"
WESTERN REVEAL PANEL 16" - 2.0	16"	2"	18"
WESTERN REVEAL PANEL 16" - 3.0	16"	3"	19"

Western States Metal Roofing	SCALE:	TITLE / PART NAME:		
	DRAWN:	WESTERN REVEAL - 16" FACE		
901 W. Watkins St. Phoenix, AZ 85007	DATE:	PRODUCT / PRODUCT LINE		
	CHECKED:	WESTERN REVEAL®		
	DATE:	PART I.D.	REVISION	SHEET

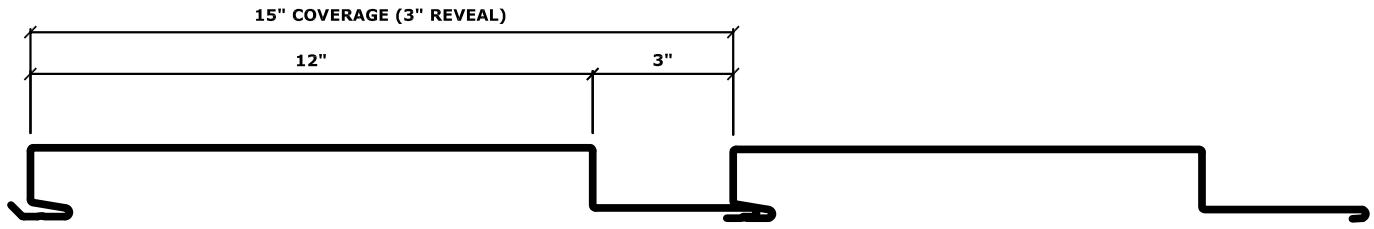
Copyright: The design and print is the property of Western States Metal Roofing, and must not be used, reproduced, or copied, wholly or in part without the written permission from the company. Supply of this design and print represents a confidential communication between the company and recipient.



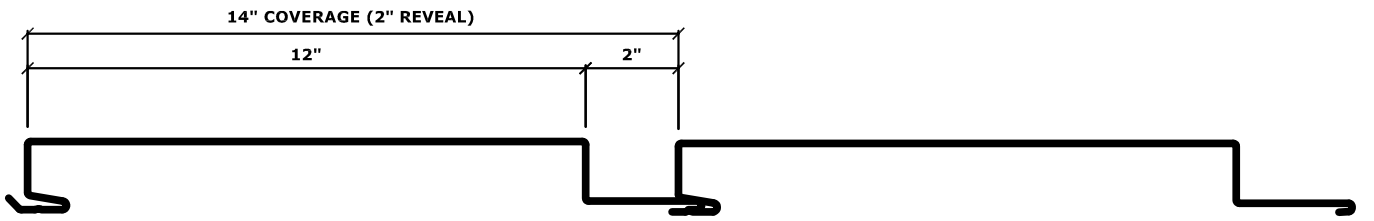
WESTERN REVEAL PANEL [®]	FACE	REVEAL	COVERAGE
WESTERN REVEAL PANEL 18" - NR	18"	NR	18"
WESTERN REVEAL PANEL 18" - 1.0	18"	1"	19"
WESTERN REVEAL PANEL 18" - 2.0	18"	2"	20"
WESTERN REVEAL PANEL 18" - 3.0	18"	3"	21"

Western States Metal Roofing	SCALE:	TITLE / PART NAME:		
	DRAWN:	WESTERN REVEAL - 18" FACE		
901 W. Watkins St. Phoenix, AZ 85007	DATE:	PRODUCT / PRODUCT LINE		
	CHECKED:	WESTERN REVEAL [®]		
	DATE:	PART I.D.	REVISION	SHEET

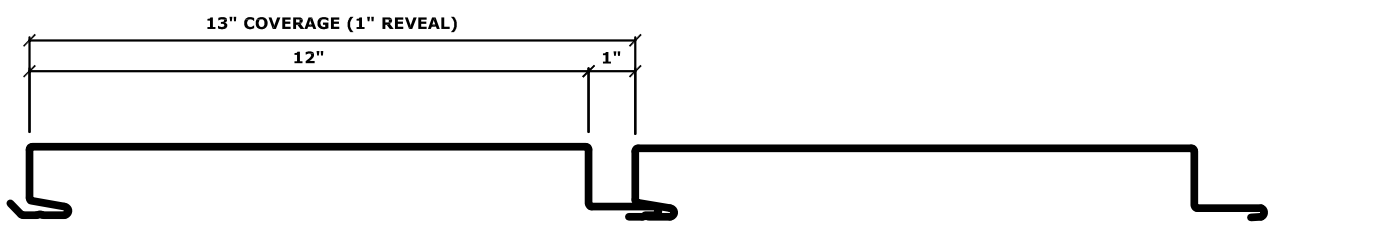
Copyright: The design and print is the property of Western States Metal Roofing, and must not be used, reproduced, or copied, wholly or in part without the written permission from the company. Supply of this design and print represents a confidential communication between the company and recipient.



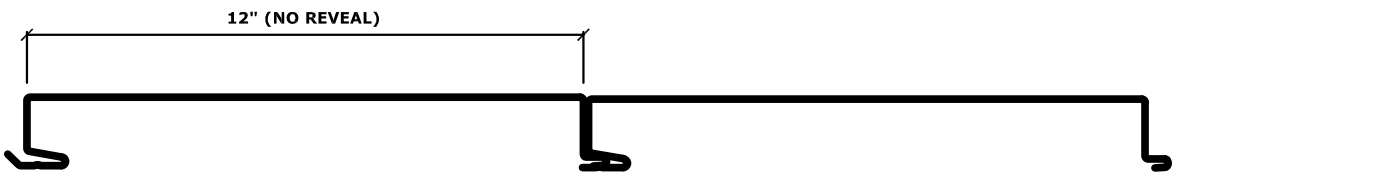
WESTERN REVEAL PANEL 12" - 3.0



WESTERN REVEAL PANEL 12" - 2.0



WESTERN REVEAL PANEL 12" - 1.0

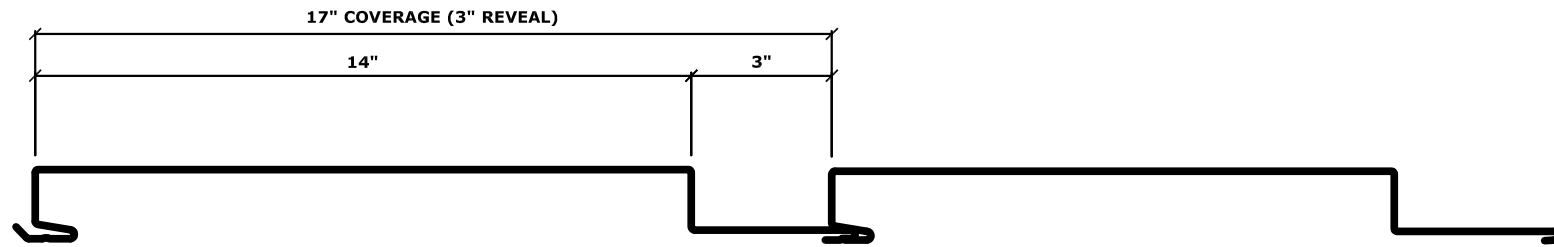


WESTERN REVEAL PANEL 12" - NR

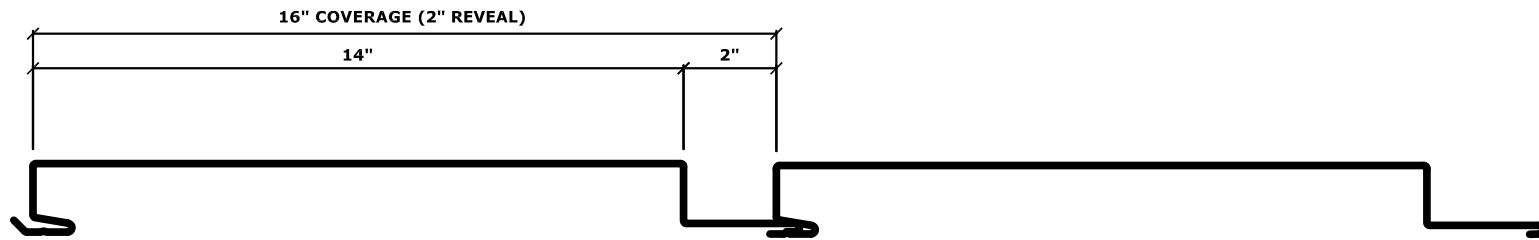
WESTERN REVEAL PANEL	FACE	REVEAL	COVERAGE
WESTERN REVEAL PANEL 12" - NR	12"	NR	12"
WESTERN REVEAL PANEL 12" - 1.0	12"	1"	13"
WESTERN REVEAL PANEL 12" - 2.0	12"	2"	14"
WESTERN REVEAL PANEL 12" - 3.0	12"	3"	15"

Western States Metal Roofing	SCALE:	TITLE / PART NAME:		
	DRAWN:			
901 W. Watkins St. Phoenix, AZ 85007	DATE:	PRODUCT / PRODUCT LINE		
	CHECKED:	WESTERN REVEAL [®]		
	DATE:	PART I.D.	REVISION	SHEET

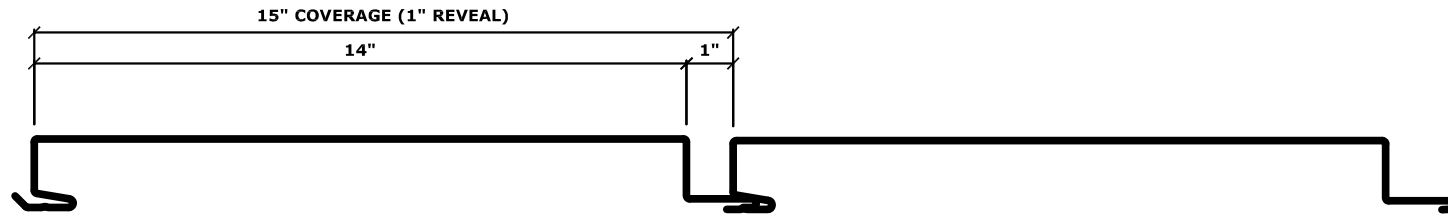
Copyright: The design and print is the property of Western States Metal Roofing, and must not be used, reproduced, or copied, wholly or in part without the written permission from the company. Supply of this design and print represents a confidential communication between the company and recipient.



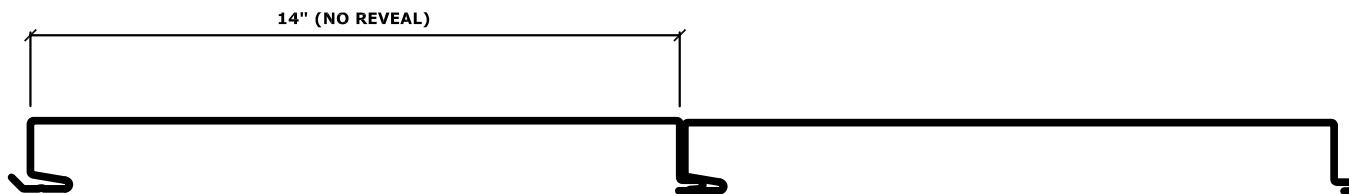
WESTERN REVEAL PANEL 14" - 3.0



WESTERN REVEAL PANEL 14" - 2.0



WESTERN REVEAL PANEL 14" - 1.0



WESTERN REVEAL PANEL 14" - NR

WESTERN REVEAL PANEL	FACE	REVEAL	COVERAGE
WESTERN REVEAL PANEL 14" - NR	14"	NR	14"
WESTERN REVEAL PANEL 14" - 1.0	14"	1"	15"
WESTERN REVEAL PANEL 14" - 2.0	14"	2"	16"
WESTERN REVEAL PANEL 14" - 3.0	14"	3"	17"

Western States Metal Roofing

901 W. Watkins St.
Phoenix, AZ 85007

SCALE:

DRAWN:

DATE:

CHECKED:

DATE:

TITLE / PART NAME:

PRODUCT / PRODUCT LINE

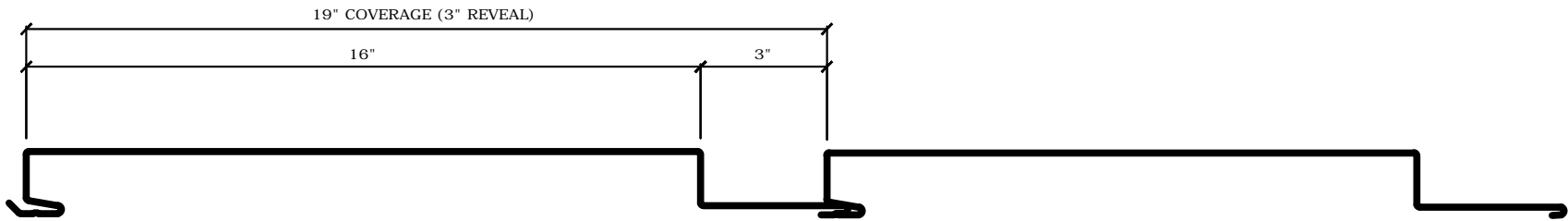
WESTERN REVEAL®

PART I.D.

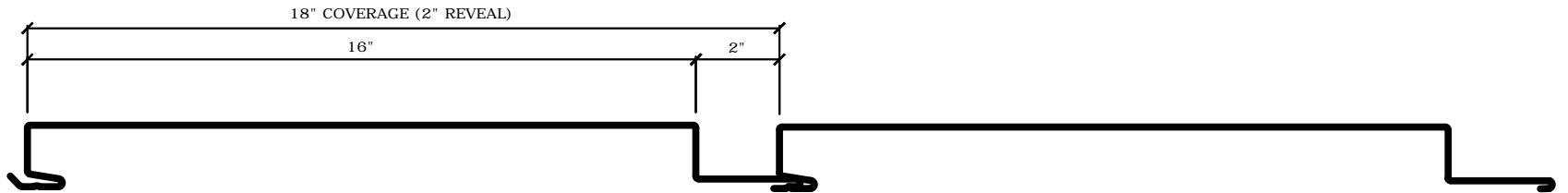
REVISION

SHEET

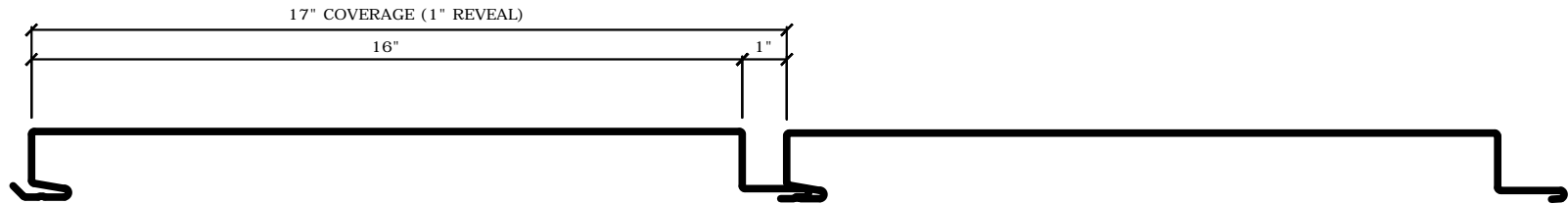
Copyright: The design and print is the property of Western States Metal Roofing, and must not be used, reproduced, or copied, wholly or in part without the written permission from the company. Supply of this design and print represents a confidential communication between the company and recipient.



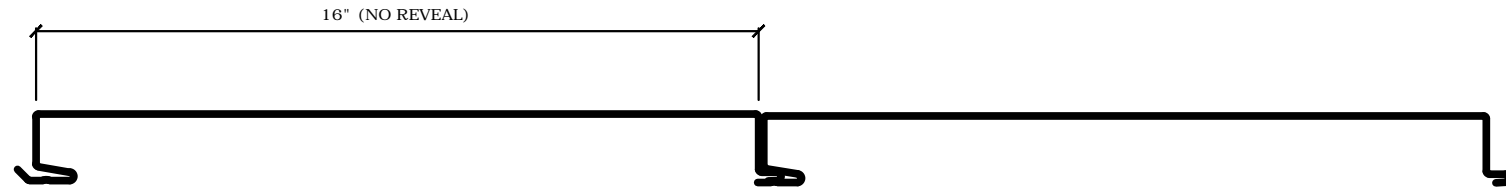
WESTERN REVEAL PANEL 16" - 3.0



WESTERN REVEAL PANEL 16" - 2.0



WESTERN REVEAL PANEL 16" - 1.0



WESTERN REVEAL PANEL 16" - NR

WESTERN REVEAL PANEL	FACE	REVEAL	COVERAGE
WESTERN REVEAL PANEL 16" - NR	16"	NR	16"
WESTERN REVEAL PANEL 16" - 1.0	16"	1"	17"
WESTERN REVEAL PANEL 16" - 2.0	16"	2"	18"
WESTERN REVEAL PANEL 16" - 3.0	16"	3"	19"

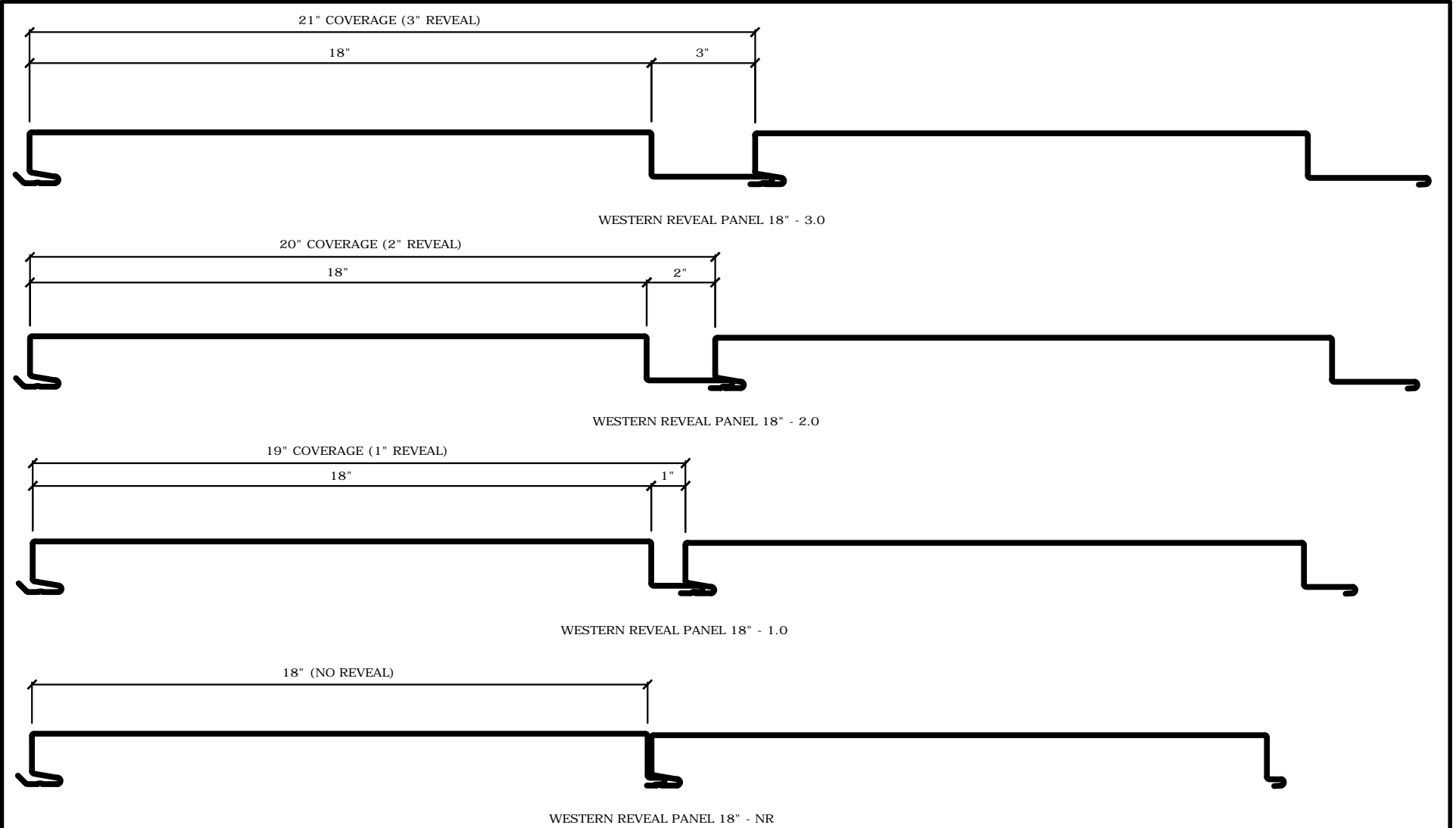
**Western States
Metal Roofing**

901 W. Watkins St.
Phoenix, AZ 85007

SCALE:	
DRAWN:	
DATE:	
CHECKED:	
DATE:	

TITLE / PART NAME:		
PRODUCT / PRODUCT LINE		
WESTERN REVEAL®		
PART I.D.	REVISION	SHEET

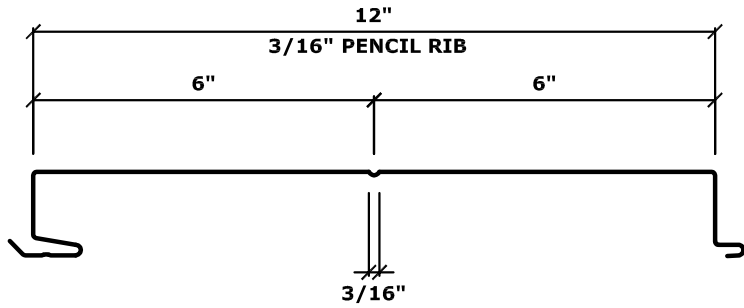
Copyright: The design and print is the property of Western States Metal Roofing, and must not be used, reproduced, or copied, wholly or in part without the written permission from the company. Supply of this design and print represents a confidential communication between the company and recipient.



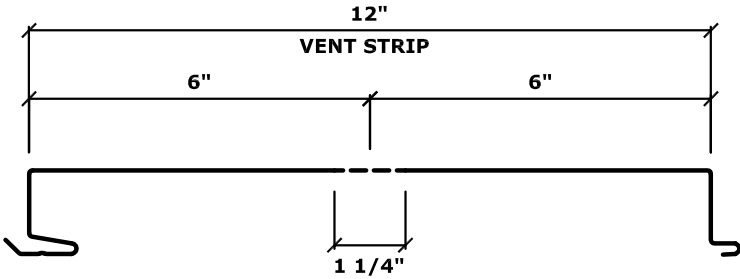
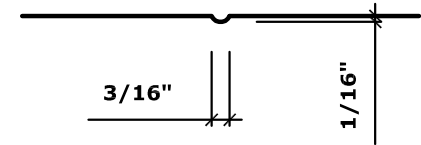
WESTERN REVEAL PANEL	FACE	REVEAL	COVERAGE
WESTERN REVEAL PANEL 18" - NR	18"	NR	18"
WESTERN REVEAL PANEL 18" - 1.0	18"	1"	19"
WESTERN REVEAL PANEL 18" - 2.0	18"	2"	20"
WESTERN REVEAL PANEL 18" - 3.0	18"	3"	21"

Western States Metal Roofing	SCALE:	TITLE / PART NAME:		
	DRAWN:	PRODUCT / PRODUCT LINE		
	DATE:	WESTERN REVEAL [®]		
901 W. Watkins St. Phoenix, AZ 85007	CHECKED:	PART I.D.	REVISION	SHEET
	DATE:			

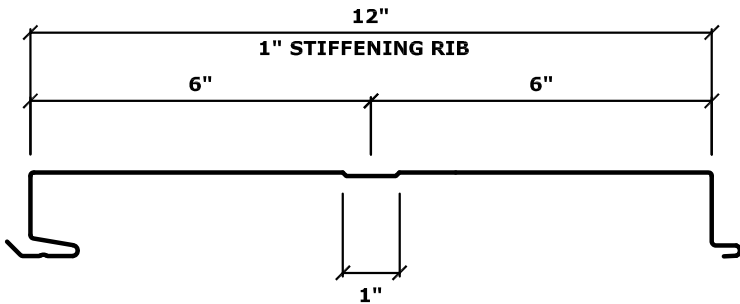
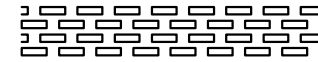
Copyright: The design and print is the property of Western States Metal Roofing, and must not be used, reproduced, or copied, wholly or in part without the written permission from the company. Supply of this design and print represents a confidential communication between the company and recipient.



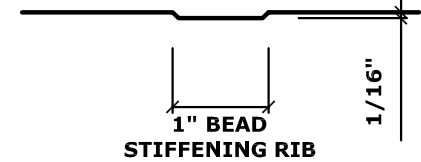
PENCIL RIB



SINGLE PERFORATION VENT STRIP

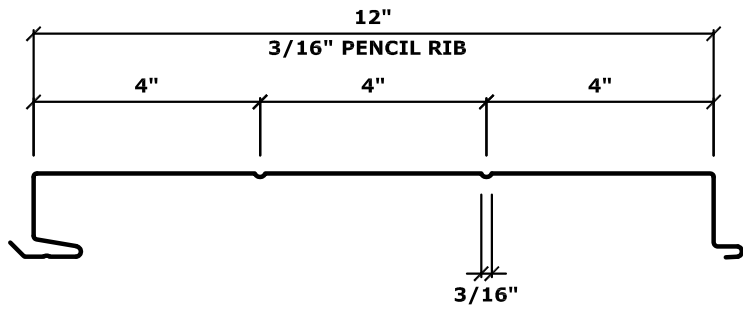


BEAD

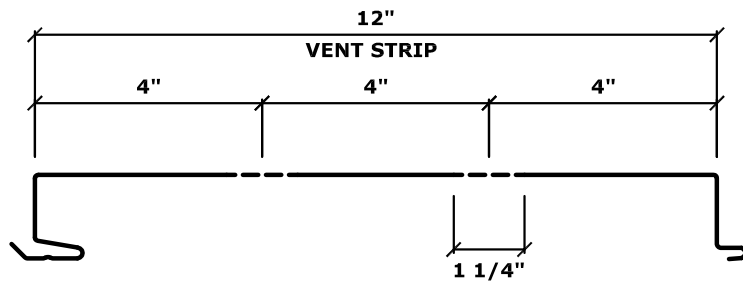
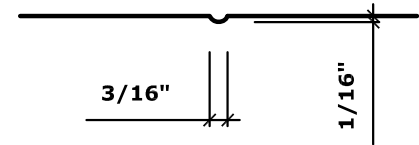


Western States Metal Roofing	SCALE:	TITLE / PART NAME:		
	DRAWN:	STIFFENING RIBS		
901 W. Watkins St. Phoenix, AZ 85007	DATE:	PRODUCT / PRODUCT LINE		
	CHECKED:	WESTERN REVEAL ®		
	DATE:	PART I.D.	REVISION	SHEET

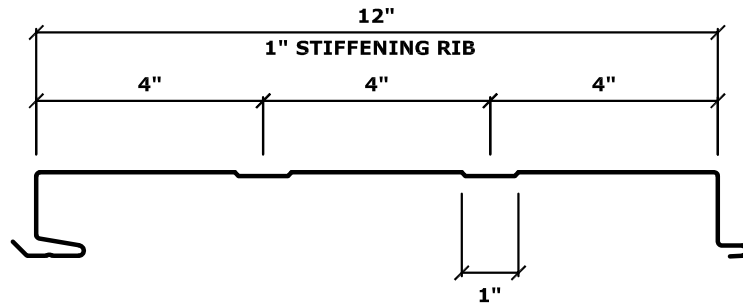
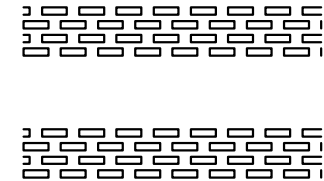
Copyright: The design and print is the property of Western States Metal Roofing, and must not be used, reproduced, or copied, wholly or in part without the written permission from the company. Supply of this design and print represents a confidential communication between the company and recipient.



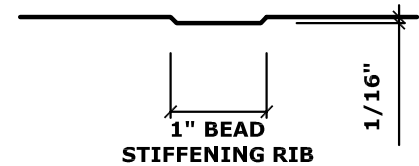
PENCIL RIB



DOUBLE PERFORATION VENT STRIP

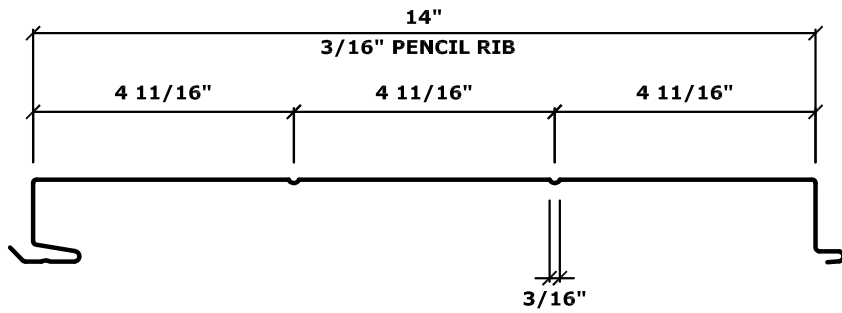


BEAD

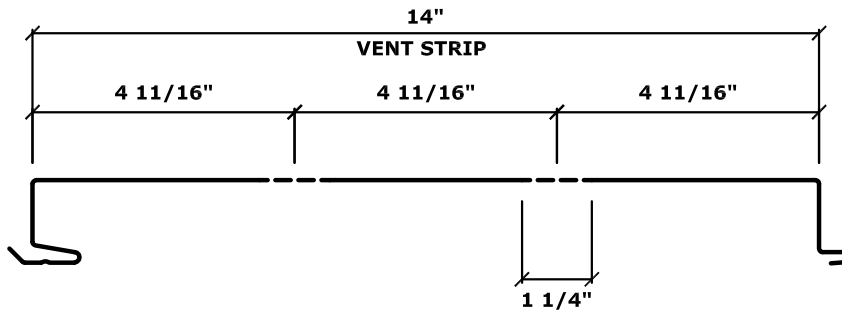
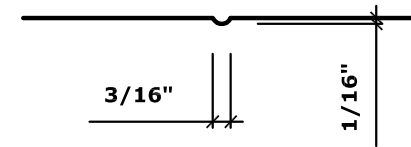


Western States Metal Roofing	SCALE:	TITLE / PART NAME:		
	DRAWN:	STIFFENING RIBS		
901 W. Watkins St. Phoenix, AZ 85007	DATE:	PRODUCT / PRODUCT LINE		
	CHECKED:	WESTERN REVEAL ®		
	DATE:	PART I.D.	REVISION	SHEET

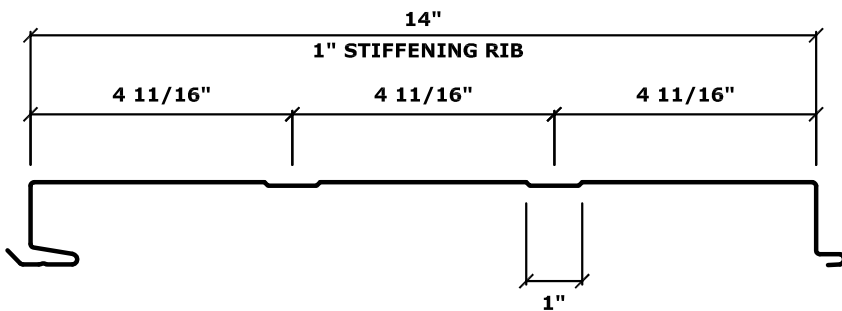
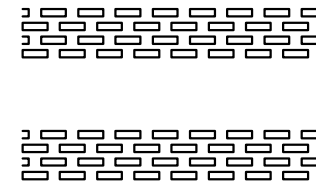
Copyright: The design and print is the property of Western States Metal Roofing, and must not be used, reproduced, or copied, wholly or in part without the written permission from the company. Supply of this design and print represents a confidential communication between the company and recipient.



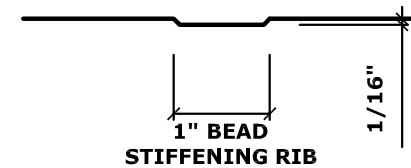
PENCIL RIB



DOUBLE PERFORATION VENT STRIP

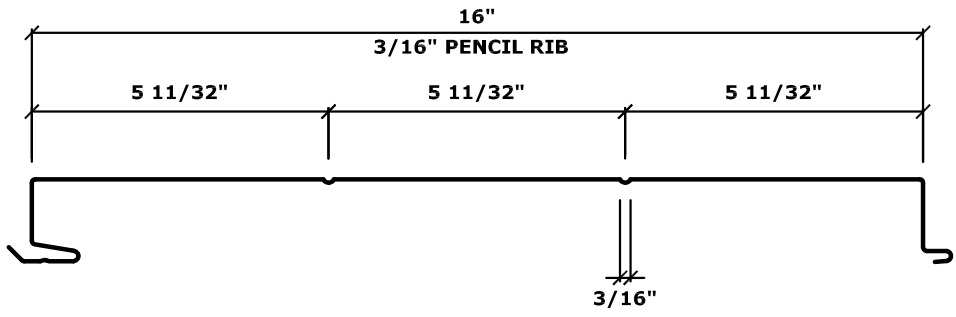


BEAD

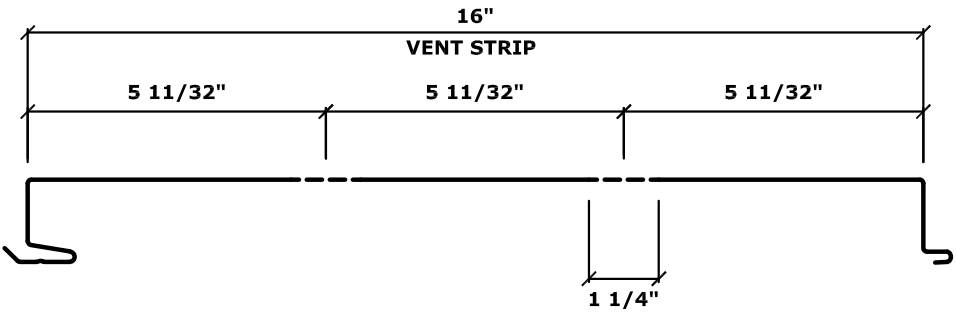
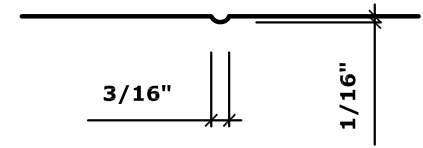


Western States Metal Roofing	SCALE:	TITLE / PART NAME:		
	DRAWN:	STIFFENING RIBS		
901 W. Watkins St. Phoenix, AZ 85007	DATE:	PRODUCT / PRODUCT LINE		
	CHECKED:	WESTERN REVEAL ®		
	DATE:	PART I.D.	REVISION	SHEET

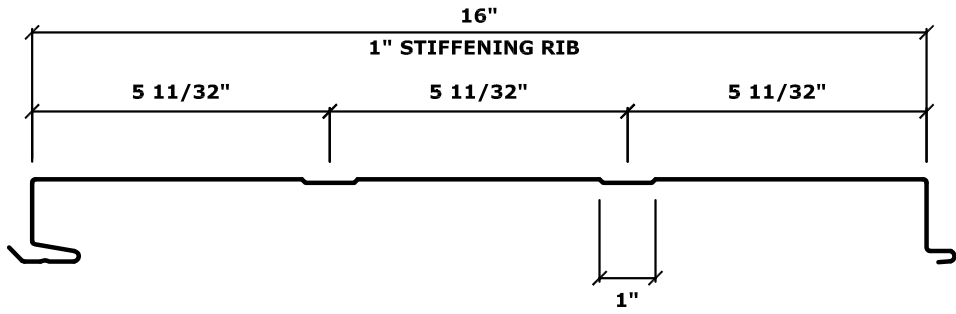
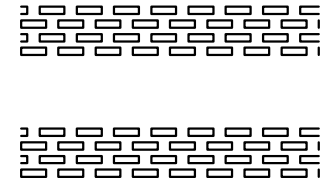
Copyright: The design and print is the property of Western States Metal Roofing, and must not be used, reproduced, or copied, wholly or in part without the written permission from the company. Supply of this design and print represents a confidential communication between the company and recipient.



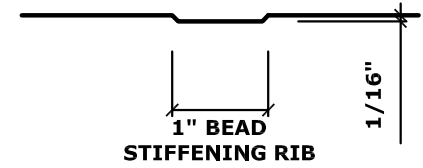
PENCIL RIB



DOUBLE PERFORATION VENT STRIP

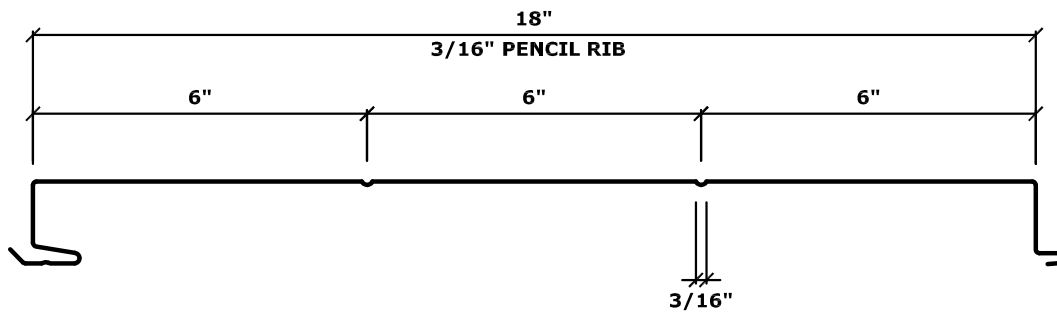


BEAD

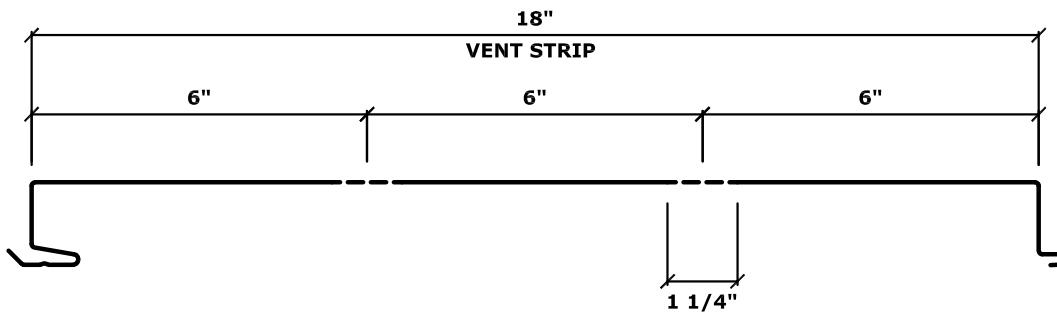
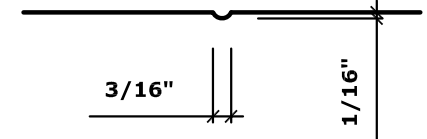


Western States Metal Roofing	SCALE:	TITLE / PART NAME:		
	DRAWN:	STIFFENING RIBS		
901 W. Watkins St. Phoenix, AZ 85007	DATE:	PRODUCT / PRODUCT LINE		
	CHECKED:	WESTERN REVEAL ®		
	DATE:	PART I.D.	REVISION	SHEET

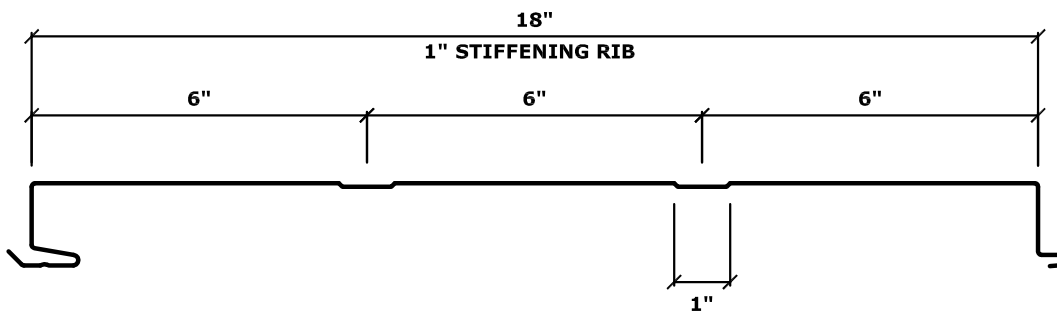
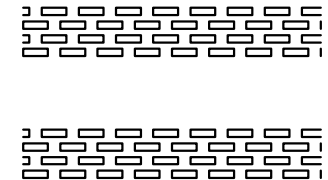
Copyright: The design and print is the property of Western States Metal Roofing, and must not be used, reproduced, or copied, wholly or in part without the written permission from the company. Supply of this design and print represents a confidential communication between the company and recipient.



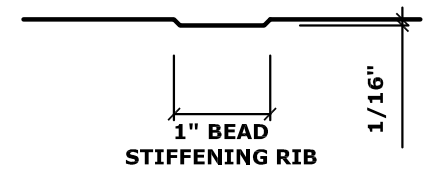
PENCIL RIB



DOUBLE PERFORATION VENT STRIP

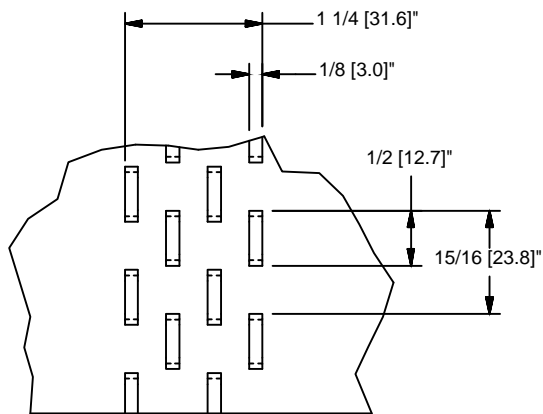


BEAD

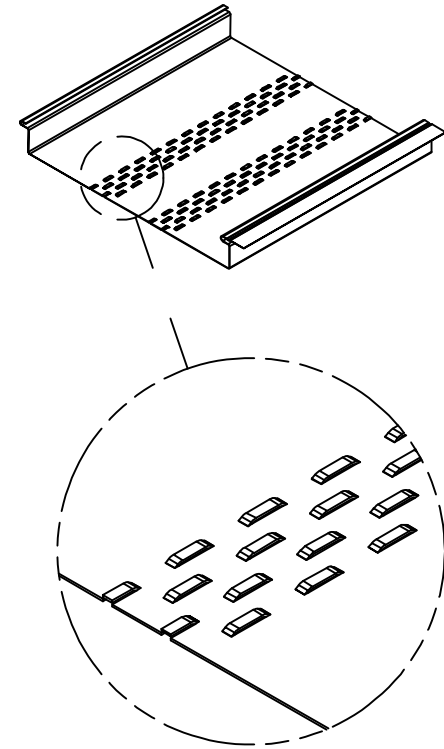
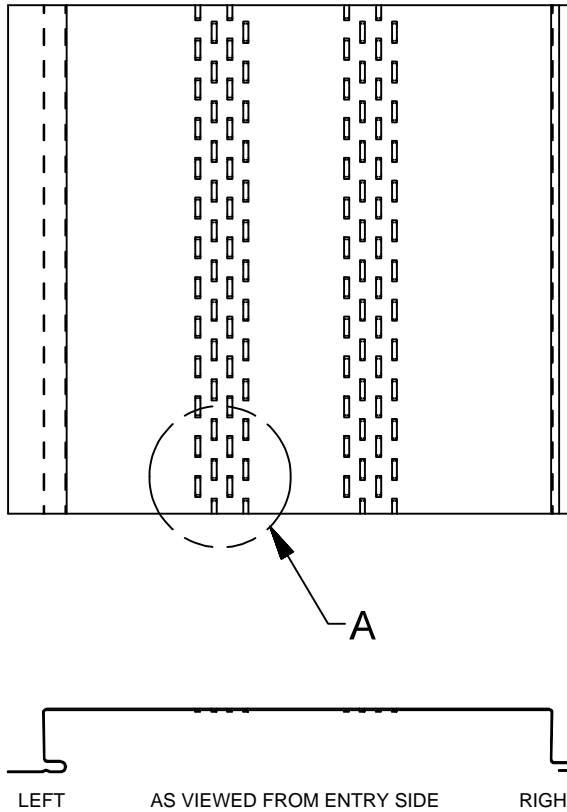


Western States Metal Roofing	SCALE:	TITLE / PART NAME:		
	DRAWN:	STIFFENING RIBS		
901 W. Watkins St. Phoenix, AZ 85007	DATE:	PRODUCT / PRODUCT LINE		
	CHECKED:	WESTERN REVEAL ®		
	DATE:	PART I.D.	REVISION	SHEET

Copyright: The design and print is the property of Western States Metal Roofing, and must not be used, reproduced, or copied, wholly or in part without the written permission from the company. Supply of this design and print represents a confidential communication between the company and recipient.



DETAIL A



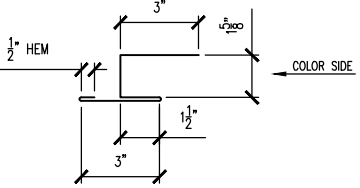
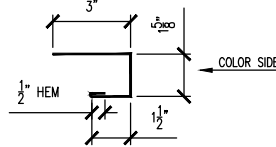
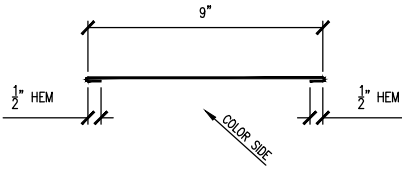
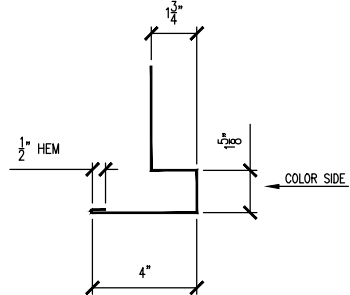
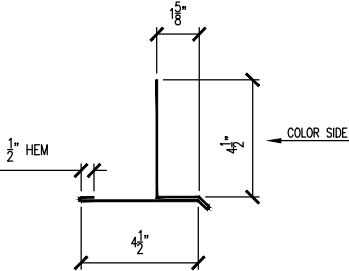
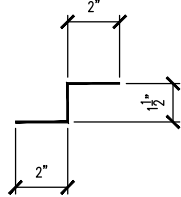
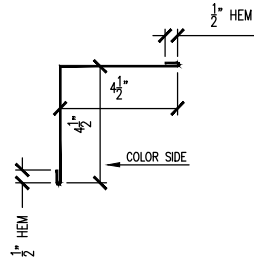
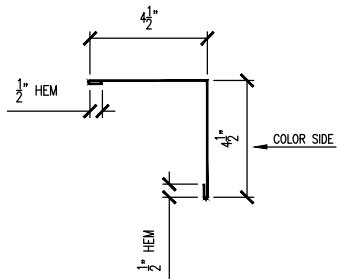
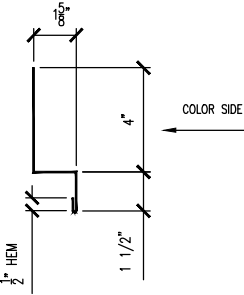
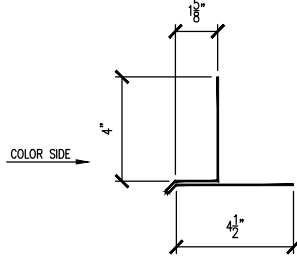
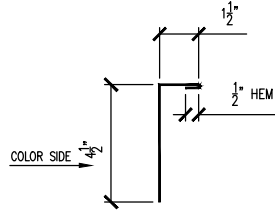
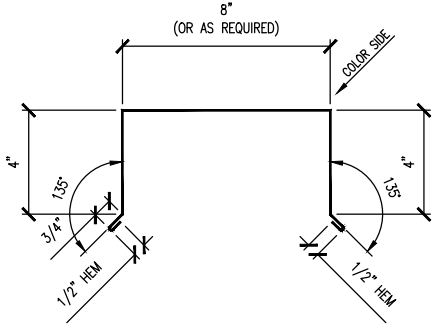
NOTES:

1. MATERIAL USAGE APPROXIMATELY: 5" [127 mm]
2. WHEN USING PERFORATOR:
 MAXIMUM NET FREE AREA = 3.08
 SQUARE INCHES PER 12 INCHES
 OF PERFORATION
 [1987 sq. mm / 304.8 mm]
3. MAXIMUM OF TWO PERFORATIONS
 PER PANEL.
4. DUAL DIMENSIONS: Inch [mm]

OPENING SIZE .50 [12.7] X .12 [3.0] = .06 SQ. IN. [38.7 sq. mm]
 OPENINGS PER 12 INCH LENGTH [304.8 mm] = 51.25
 NET FREE AREA / 12 INCH = .06 SQ IN X 51.25 = 3.08 SQ IN.
 [net free area / 304.8 mm = 38.7 sq. mm X 51.25 = 1983 sq. mm]

Western States Metal Roofing	SCALE:	TITLE / PART NAME:		
	DRAWN:			
901 W. Watkins St. Phoenix, AZ 85007	DATE:	PRODUCT / PRODUCT LINE		
	CHECKED:	WESTERN REVEAL [®]		
	DATE:	PART I.D.	REVISION	SHEET

Copyright: The design and print is the property of Western States Metal Roofing, and must not be used, reproduced, or copied, wholly or in part without the written permission from the company. Supply of this design and print represents a confidential communication between the company and recipient.

<p style="text-align: center;">END SPLICE WS-800</p> 	<p style="text-align: center;">C METAL (J-TRIM) WS-801</p> 	<p style="text-align: center;">REVEAL FLASHING WS-802</p> 	<p style="text-align: center;">SILL DRIP TRIM WS-804</p> 
<p style="text-align: center;">ALTERNATE SILL DRIP TRIM WS-805</p> 	<p style="text-align: center;">Z METAL TRIM WS-806</p> 	<p style="text-align: center;">INSIDE CORNER TRIM WS-807</p> 	<p style="text-align: center;">OUTSIDE CORNER TRIM WS-808</p> 
<p style="text-align: center;">TRANSITION/SILL TRIM WS-809</p> 	<p style="text-align: center;">DOOR/WINDOW HEAD TRIM WS-810</p> 	<p style="text-align: center;">DOOR/WINDOW JAMB TRIM WS-811</p> 	<p style="text-align: center;">PARAPET CAP WS-812</p> 

Western States Metal Roofing

901 W. Watkins St.
 Phoenix, AZ 85007
www.MetalForRoofing.com
www.RustedRoofing.com
www.MetalDeck.com

Phone: (602) 495-0048
 Fax: (602) 261-7726
 877-PURLINS (787-5467)

STANDARD TRIM

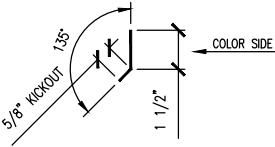
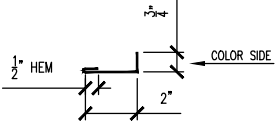
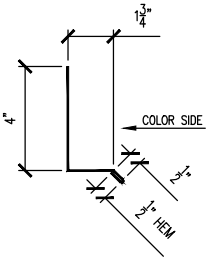
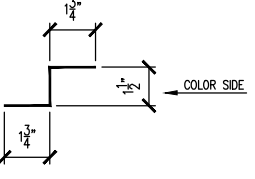
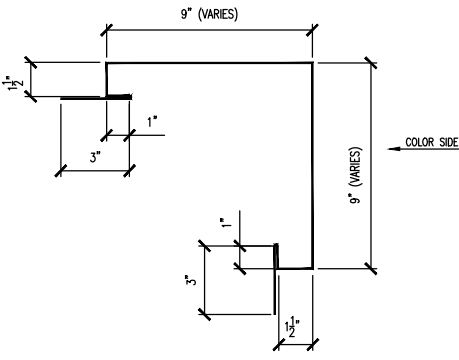
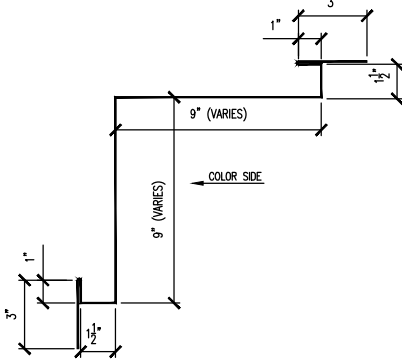
PANEL TYPE:

WESTERN REVEAL®

A 05-25-18

REV: DATE:

DETAIL #:
 WR-WSD-ST1

<p>TRIM CLEAT WS-813</p> 	<p>ALTERNATE WALL TRIM WS-814</p> 	<p>BASE TRIM WS-815</p> 	<p>Z METAL TRIM (SMALL) WS-816</p> 
<p>CUSTOM OUTSIDE CORNER WS-817</p> 	<p>CUSTOM INSIDE CORNER WS-818</p> 		

Western States Metal Roofing

901 W. Watkins St.
 Phoenix, AZ 85007
www.MetalForRoofing.com
www.RustedRoofing.com
www.MetalDeck.com

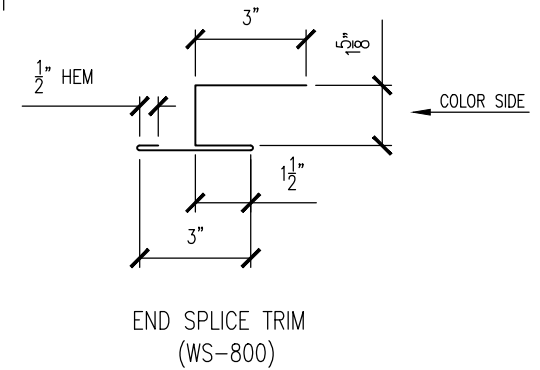
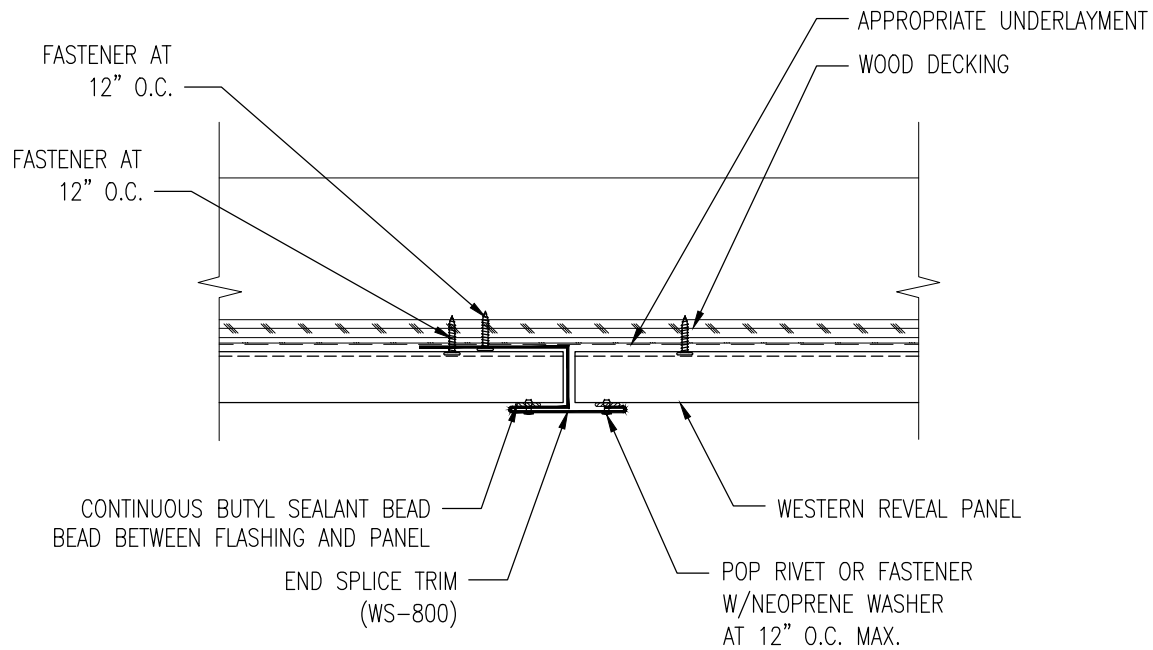
Phone: (602) 495-0048
 Fax: (602) 261-7726
 877-PURLINS (787-5467)

STANDARD TRIM

PANEL TYPE:

WESTERN REVEAL®

A	05-25-18
REV:	DATE:
DETAIL #:	WR-WSD-ST2



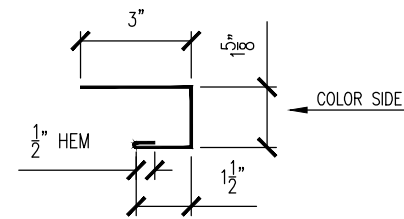
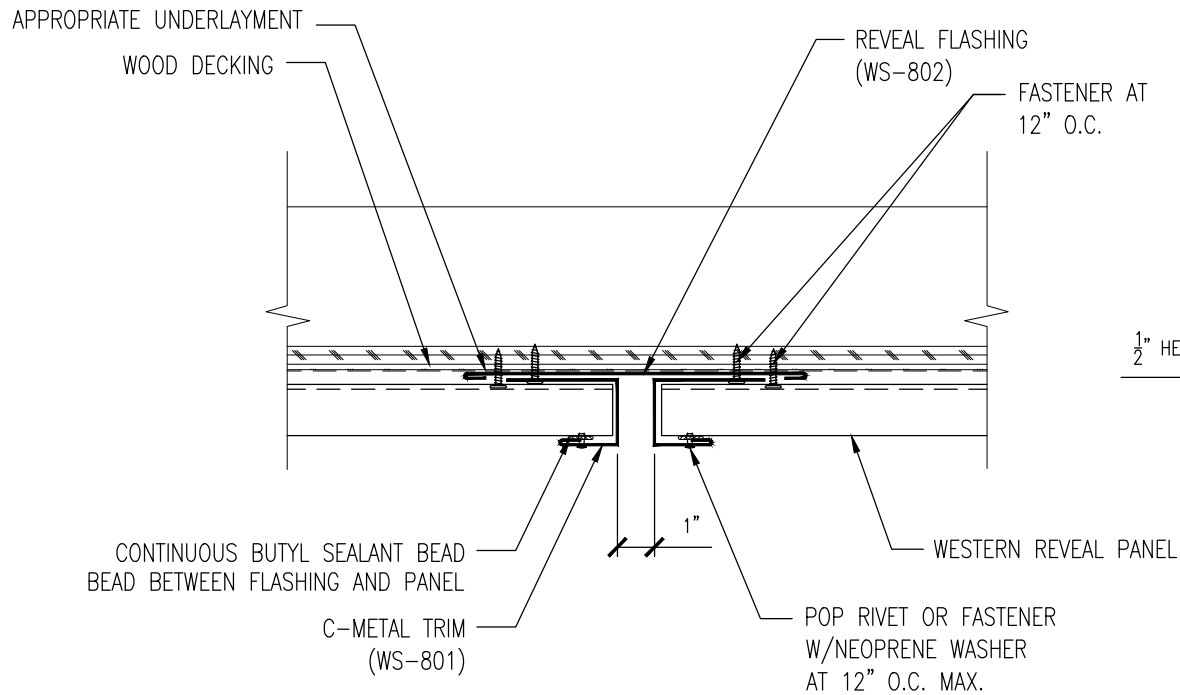
GAUGE: _____	COLOR: _____
LENGTH: _____	FINISH: _____
MATERIAL: _____	

Western States Metal Roofing

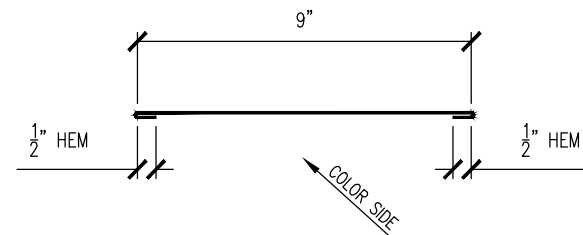
901 W. Watkins St.
 Phoenix, AZ 85007
www.MetalForRoofing.com
www.RustedRoofing.com
www.MetalDeck.com

Phone: (602) 495-0048
 Fax: (602) 261-7726
 877-PURLINS (787-5467)

SOFFIT END SPLICE DETAIL		
	A	05-25-18
PANEL TYPE: WESTERN REVEAL®	REV:	DATE:
	DETAIL #: WR-WSD-S1	



C-METAL TRIM
(WS-801)



REVEAL FLASHING
(WS-802)

HORIZONTAL WALL INSTALL

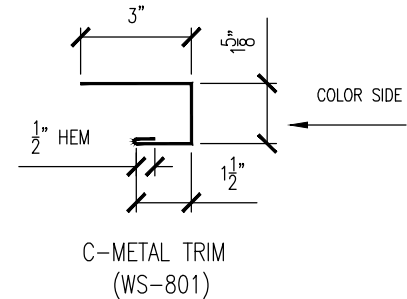
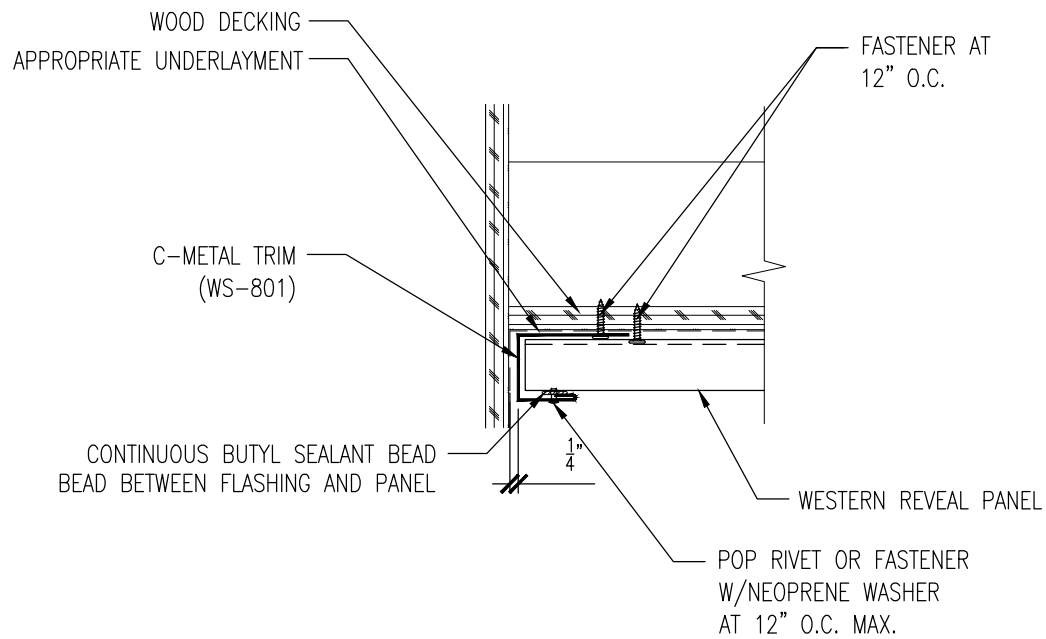
GAUGE: _____	COLOR: _____
LENGTH: _____	FINISH: _____
MATERIAL: _____	

Western States Metal Roofing

901 W. Watkins St.
Phoenix, AZ 85007
www.MetalForRoofing.com
www.RustedRoofing.com
www.MetalDeck.com

Phone: (602) 495-0048
Fax: (602) 261-7726
877-PURLINS (787-5467)

WALL/SOFFIT END SPLICE DETAIL		
	A	05-25-18
PANEL TYPE: WESTERN REVEAL®	REV:	DATE:
	DETAIL #: WR-WSD-SW2	

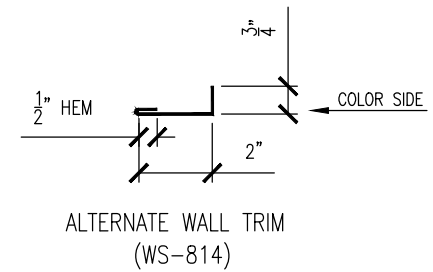
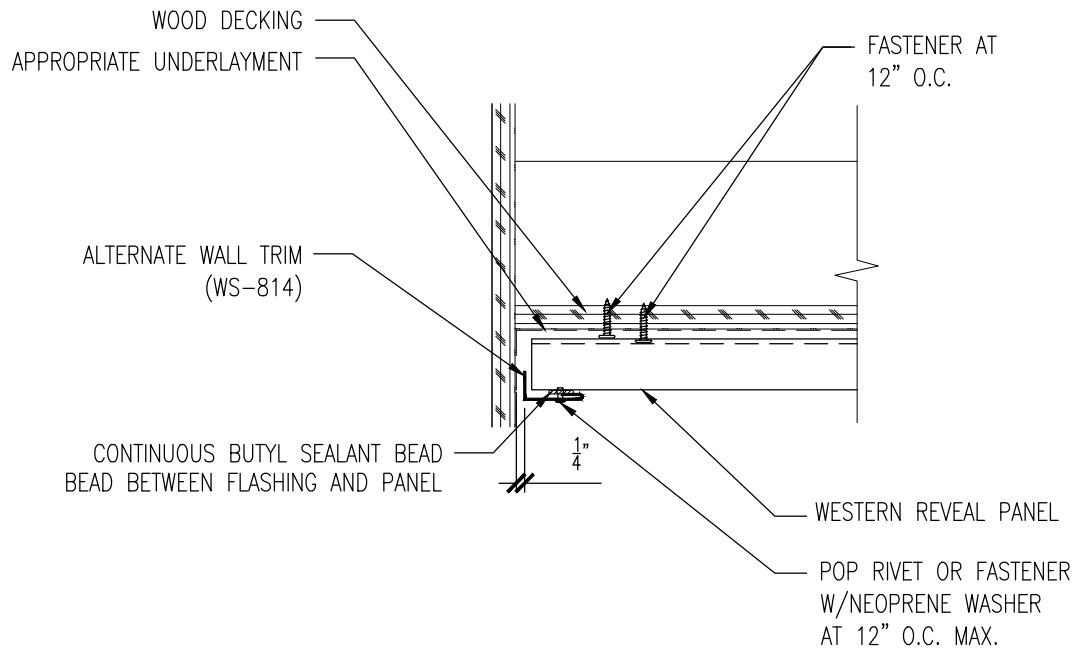


GAUGE: _____		COLOR: _____	
LENGTH: _____		FINISH: _____	
MATERIAL: _____			
SOFFIT END WALL DETAIL			
		A	05-25-18
PANEL TYPE: WESTERN REVEAL®		REV:	DATE:
		DETAIL #: WR-WSD-S3	

Western States Metal Roofing

901 W. Watkins St.
 Phoenix, AZ 85007
www.MetalForRoofing.com
www.RustedRoofing.com
www.MetalDeck.com

Phone: (602) 495-0048
 Fax: (602) 261-7726
 877-PURLINS (787-5467)



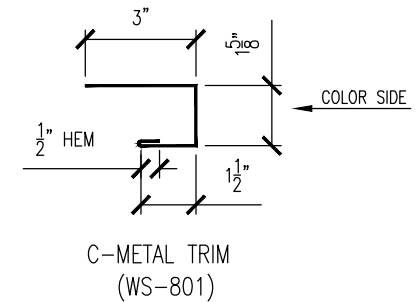
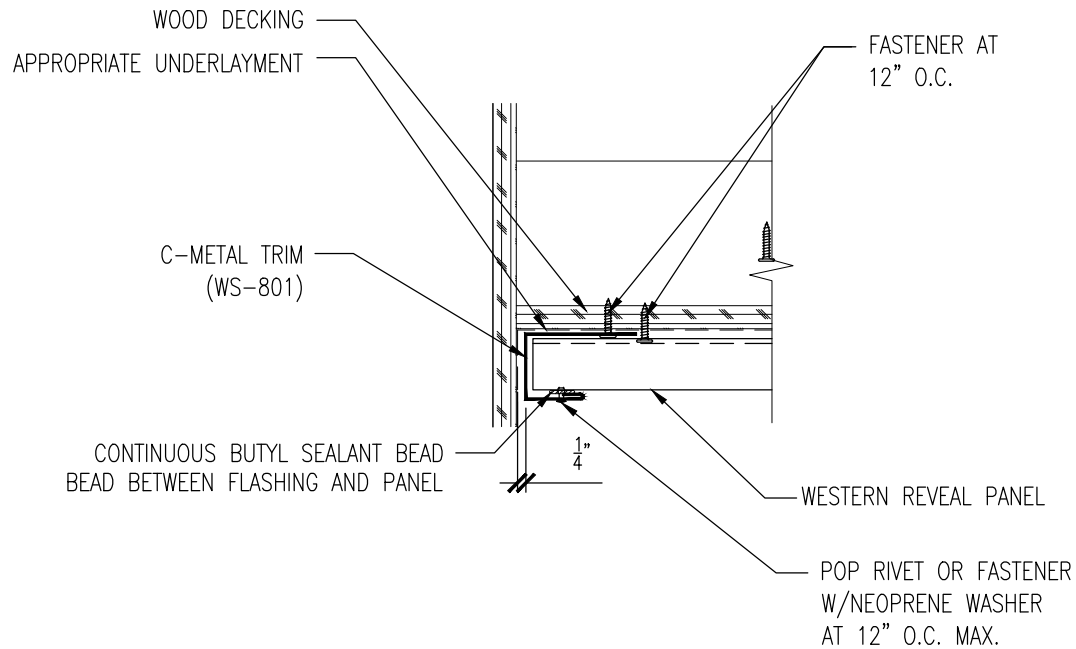
Western States Metal Roofing

901 W. Watkins St.
 Phoenix, AZ 85007
www.MetalForRoofing.com
www.RustedRoofing.com
www.MetalDeck.com

Phone: (602) 495-0048
 Fax: (602) 261-7726
 877-PURLINS (787-5467)

GAUGE: _____	COLOR: _____
LENGTH: _____	FINISH: _____
MATERIAL: _____	

ALTERNATE SOFFIT END WALL DETAIL		
	A	05-25-18
PANEL TYPE: WESTERN REVEAL®	REV:	DATE:
	DETAIL #: WR-WSD-SW4	



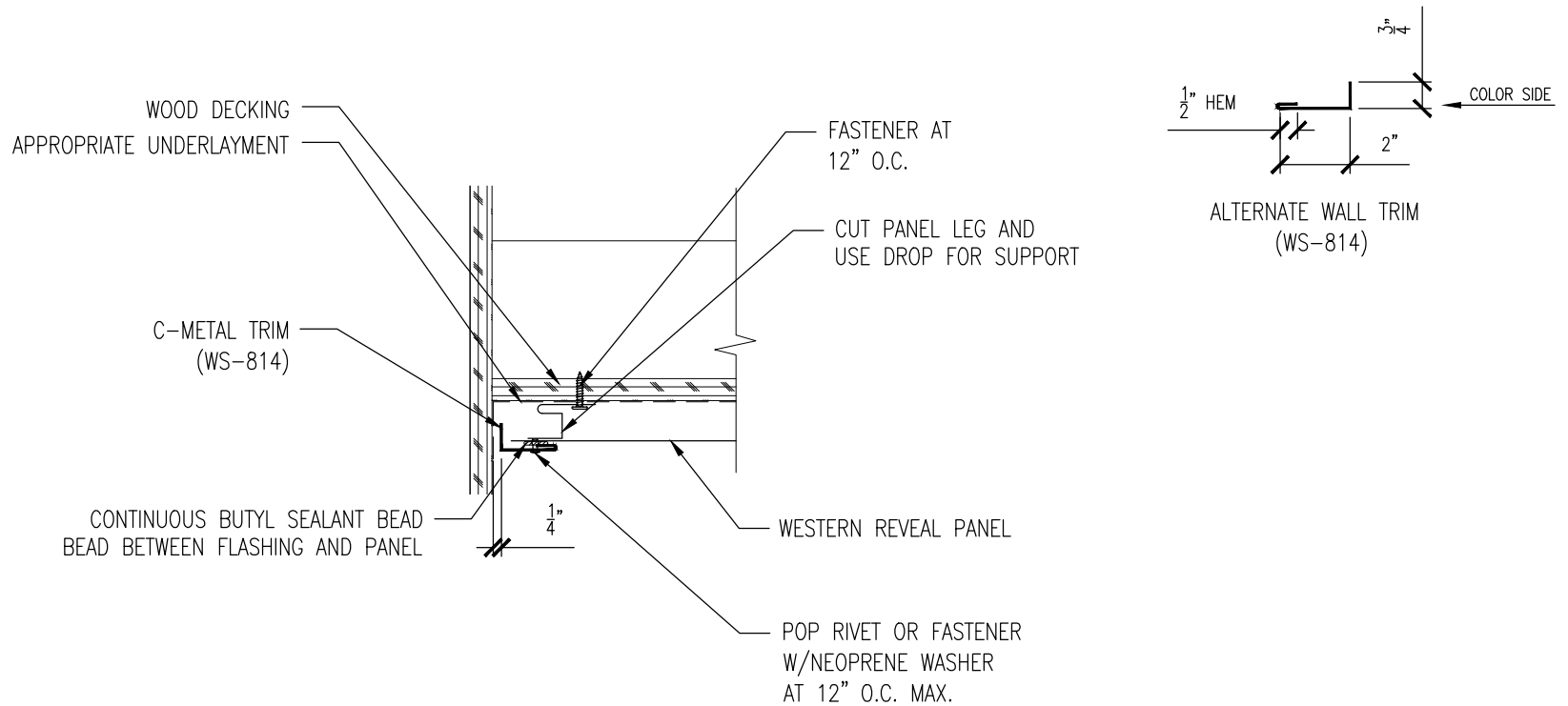
GAUGE: _____	COLOR: _____
LENGTH: _____	FINISH: _____
MATERIAL: _____	

Western States Metal Roofing

901 W. Watkins St.
Phoenix, AZ 85007
www.MetalForRoofing.com
www.RustedRoofing.com
www.MetalDeck.com

Phone: (602) 495-0048
Fax: (602) 261-7726
877-PURLINS (787-5467)

HORIZONTAL SIDING END WALL DETAIL		
	A	05-25-18
PANEL TYPE: WESTERN REVEAL®	REV:	DATE:
	DETAIL #: WR-WSD-W6	



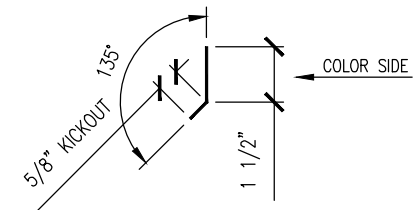
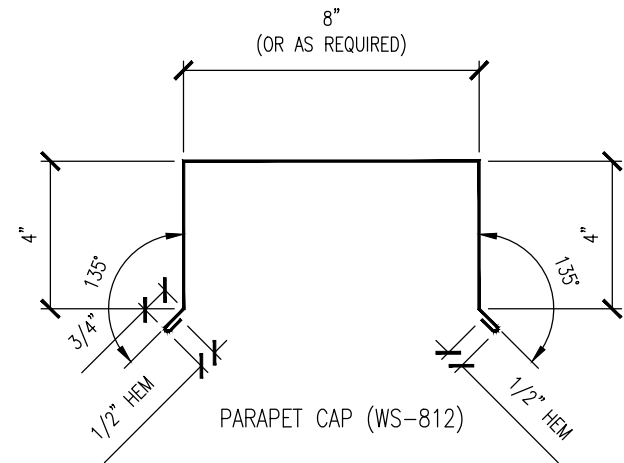
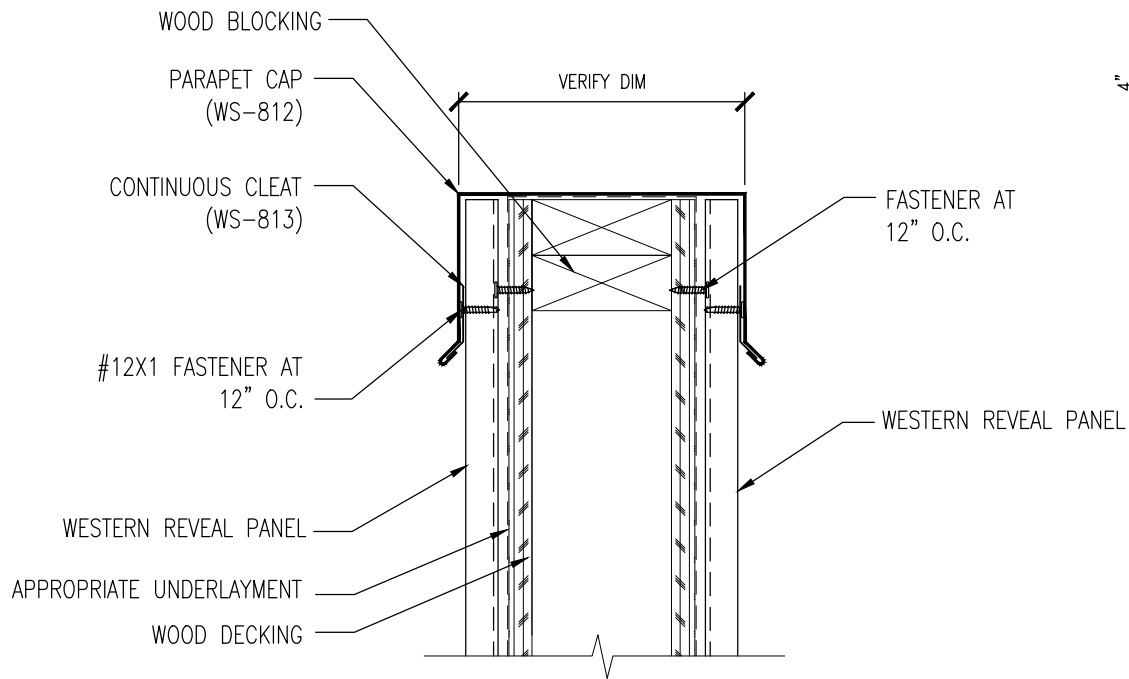
GAUGE: _____	COLOR: _____
LENGTH: _____	FINISH: _____
MATERIAL: _____	

Western States Metal Roofing

901 W. Watkins St.
 Phoenix, AZ 85007
www.MetalForRoofing.com
www.RustedRoofing.com
www.MetalDeck.com

Phone: (602) 495-0048
 Fax: (602) 261-7726
 877-PURLINS (787-5467)

VERTICAL SIDING END WALL DETAIL		
	A	05-25-18
PANEL TYPE: WESTERN REVEAL [®]	REV:	DATE:
	DETAIL #: WR-WSD-SW7	



CONTINUOUS CLEAT (WS-813)

VERTICAL WALL INSTALL

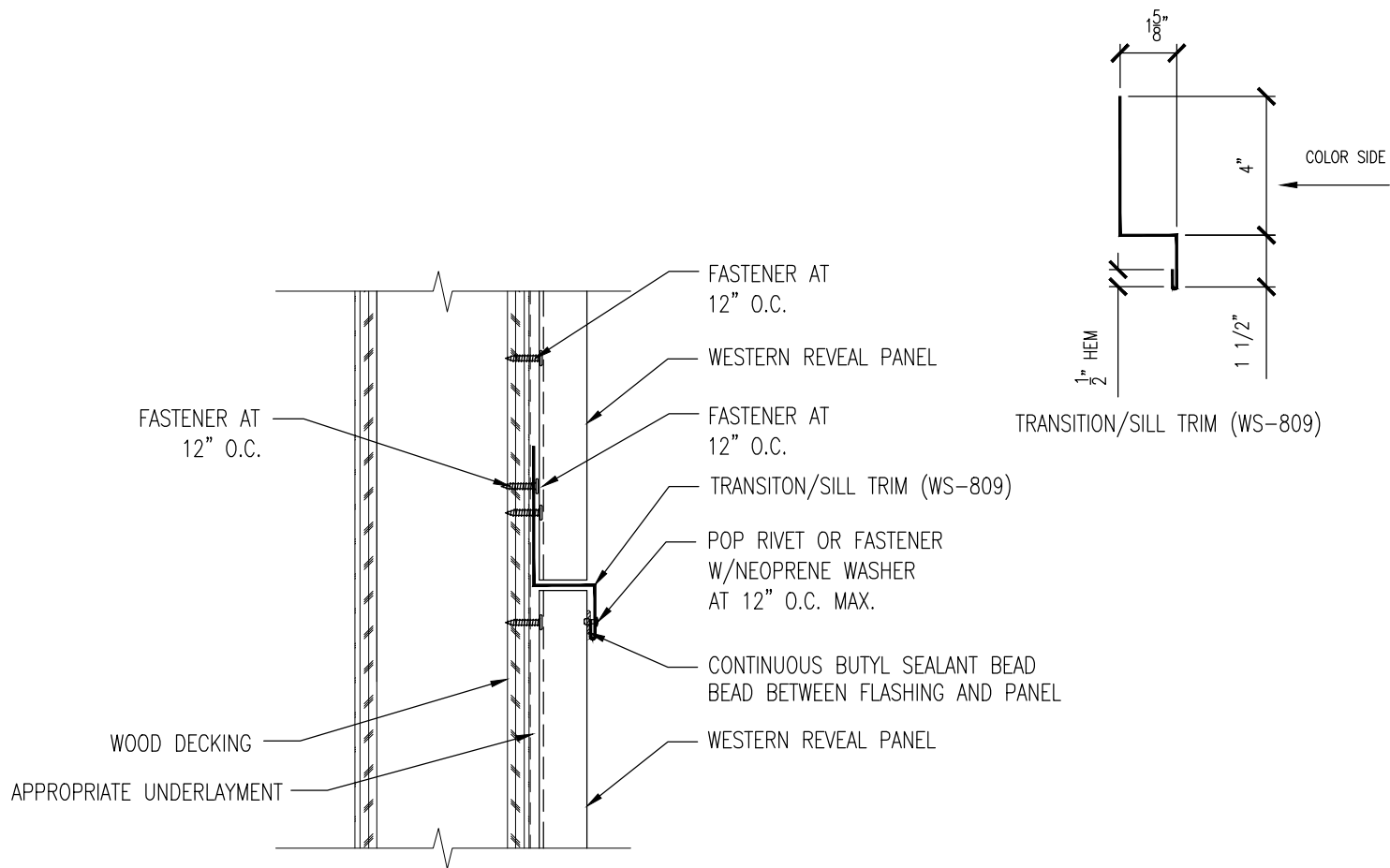
GAUGE: _____	COLOR: _____
LENGTH: _____	FINISH: _____
MATERIAL: _____	

Western States Metal Roofing

901 W. Watkins St.
 Phoenix, AZ 85007
 www.MetalForRoofing.com
 www.RustedRoofing.com
 www.MetalDeck.com

Phone: (602) 495-0048
 Fax: (602) 261-7726
 877-PURLINS (787-5467)

PARAPET WALL DETAIL		
	A	05-25-18
PANEL TYPE: WESTERN REVEAL®	REV:	DATE:
	DETAIL #:	WR-WSD-SW8



VERTICAL WALL INSTALL

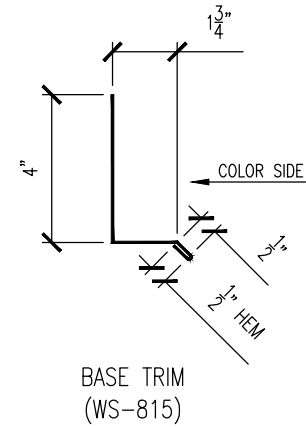
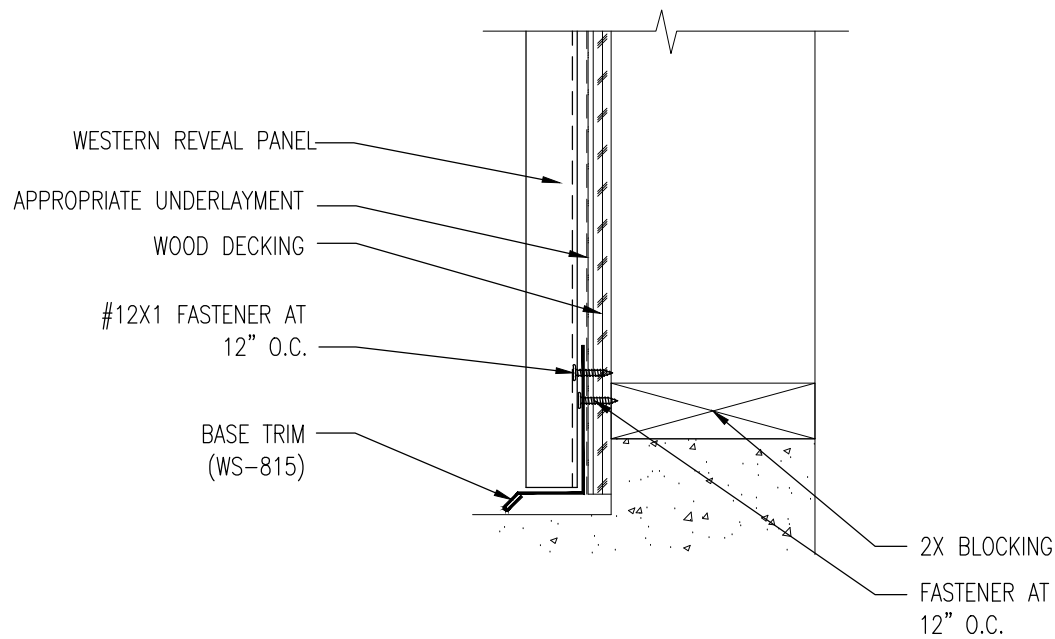
GAUGE: _____	COLOR: _____
LENGTH: _____	FINISH: _____
MATERIAL: _____	

Western States Metal Roofing

901 W. Watkins St.
 Phoenix, AZ 85007
www.MetalForRoofing.com
www.RustedRoofing.com
www.MetalDeck.com

Phone: (602) 495-0048
 Fax: (602) 261-7726
 877-PURLINS (787-5467)

SPLICE/SILL DETAIL		
	A	05-25-18
PANEL TYPE: WESTERN REVEAL®	REV:	DATE:
	DETAIL #: WR-WSD-W9	



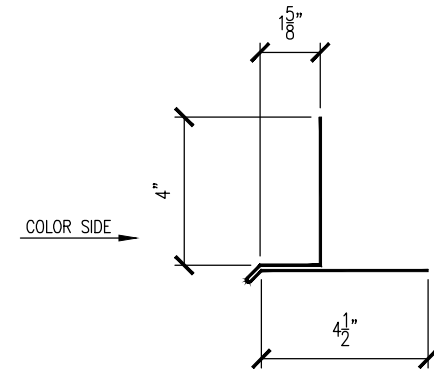
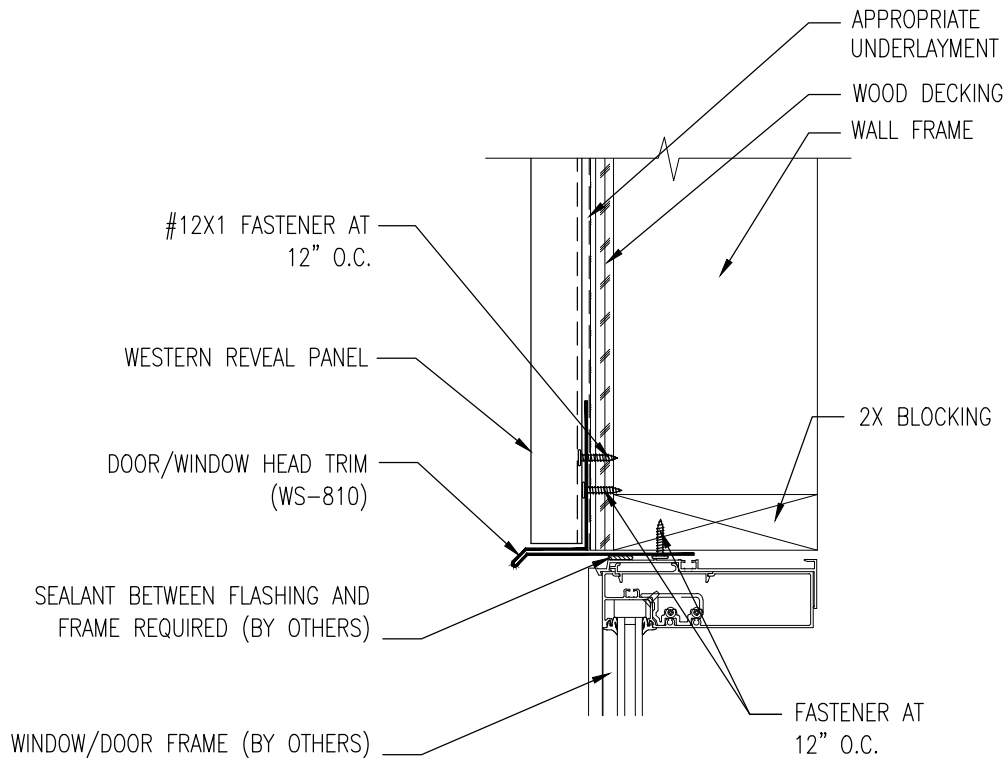
GAUGE: _____	COLOR: _____
LENGTH: _____	FINISH: _____
MATERIAL: _____	

Western States Metal Roofing

901 W. Watkins St.
 Phoenix, AZ 85007
www.MetalForRoofing.com
www.RustedRoofing.com
www.MetalDeck.com

Phone: (602) 495-0048
 Fax: (602) 261-7726
 877-PURLINS (787-5467)

BASE DETAIL		
	A	05-25-18
PANEL TYPE: WESTERN REVEAL [®]	REV:	DATE:
	DETAIL #: WR-WSD-W10	



DOOR/WINDOW HEAD TRIM (WS-810)

VERTICAL WALL INSTALL

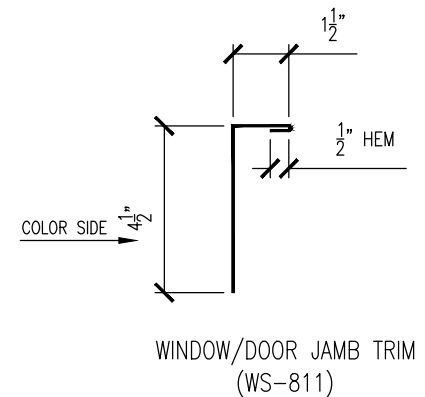
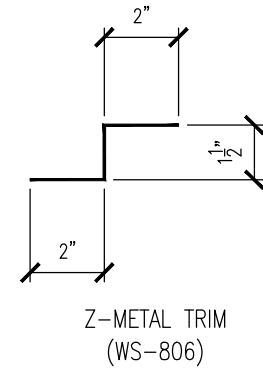
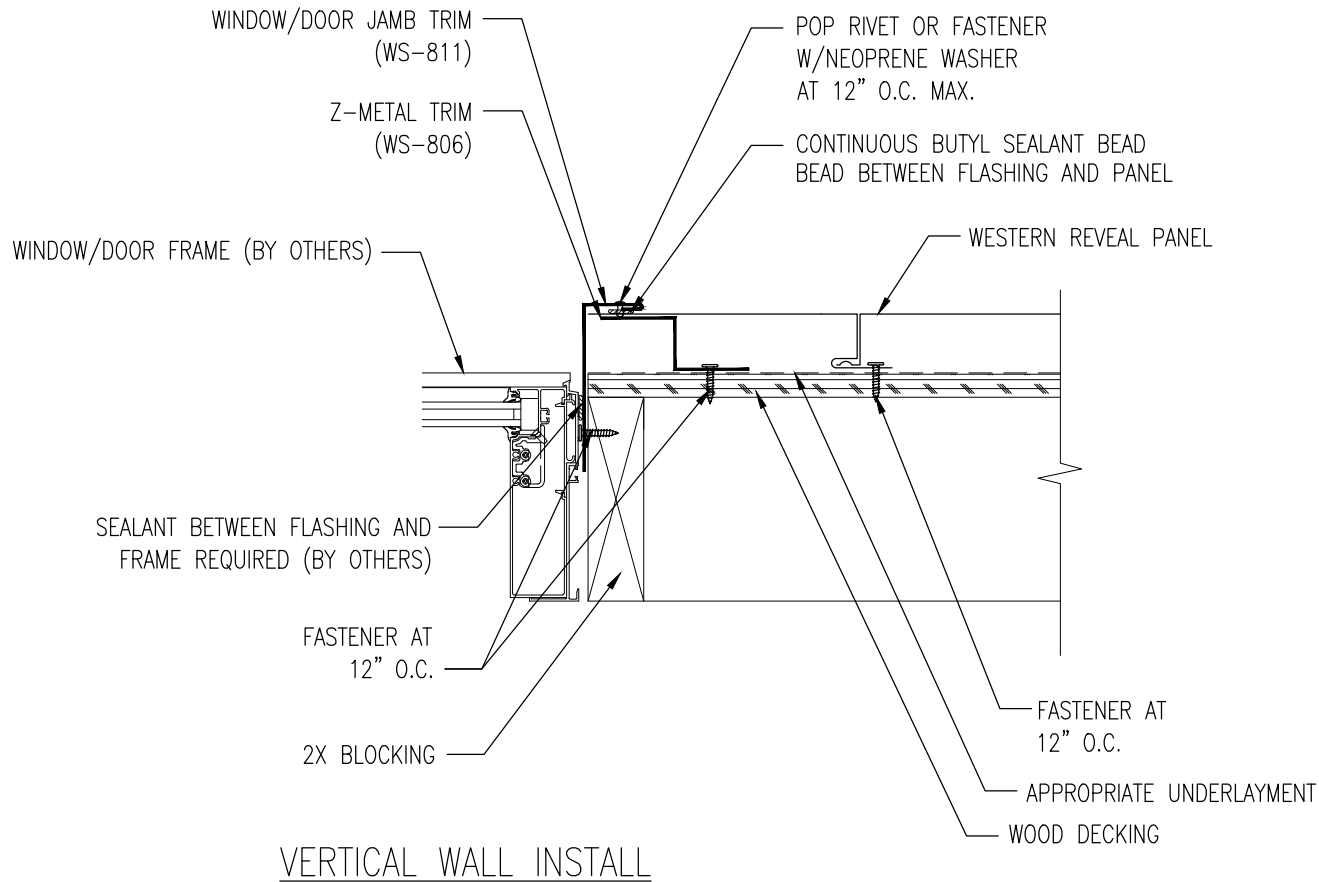
GAUGE: _____	COLOR: _____
LENGTH: _____	FINISH: _____
MATERIAL: _____	

Western States Metal Roofing

901 W. Watkins St.
 Phoenix, AZ 85007
www.MetalForRoofing.com
www.RustedRoofing.com
www.MetalDeck.com

Phone: (602) 495-0048
 Fax: (602) 261-7726
 877-PURLINS (787-5467)

DOOR/WINDOW SILL AND HEAD DETAIL		
	A	05-25-18
PANEL TYPE: WESTERN REVEAL®	REV:	DATE:
	DETAIL #: WR-WSD-W11	



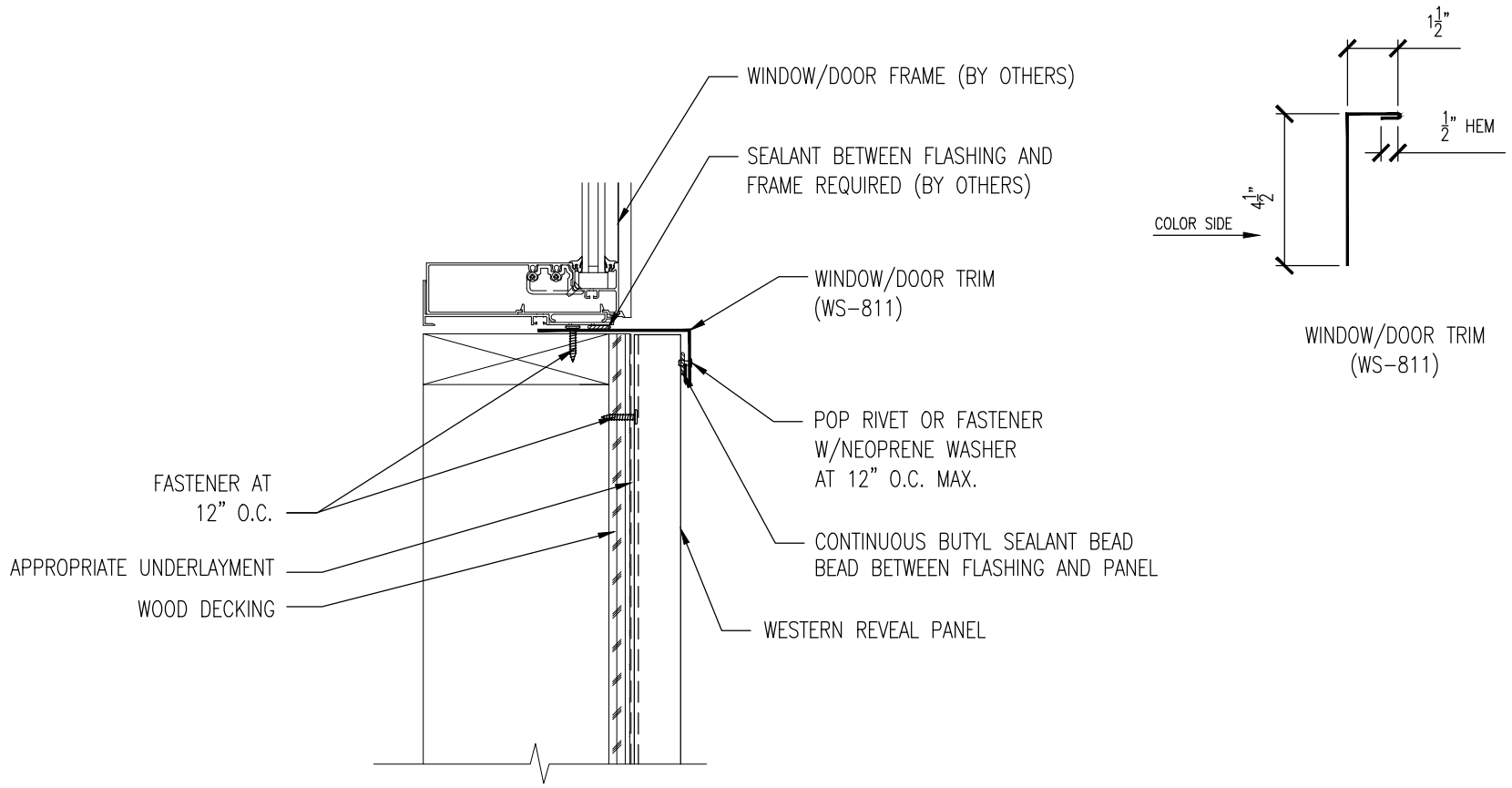
GAUGE: _____	COLOR: _____
LENGTH: _____	FINISH: _____
MATERIAL: _____	

Western States Metal Roofing

901 W. Watkins St.
 Phoenix, AZ 85007
www.MetalForRoofing.com
www.RustedRoofing.com
www.MetalDeck.com

Phone: (602) 495-0048
 Fax: (602) 261-7726
 877-PURLINS (787-5467)

WINDOW/DOOR JAMB DETAIL		
	A	05-25-18
PANEL TYPE: WESTERN REVEAL®	REV:	DATE:
	DETAIL #: WR-WSD-W12	



VERTICAL WALL INSTALL

GAUGE: _____	COLOR: _____
LENGTH: _____	FINISH: _____
MATERIAL: _____	

Western States Metal Roofing
 901 W. Watkins St. Phone: (602) 495-0048
 Phoenix, AZ 85007 Fax: (602) 261-7726
 www.MetalForRoofing.com 877-PURLINS (787-5467)
 www.RustedRoofing.com
 www.MetalDeck.com

DOOR/WINDOW SILL DETAIL		
	A	05-25-18
PANEL TYPE: WESTERN REVEAL®	REV:	DATE:
	DETAIL #: WR-WSD-W13	

WESTERN REVEAL PANEL

FASTENER AT
12" O.C.

FASTENER AT
12" O.C.

APPROPRIATE UNDERLAYMENT
WOOD DECKING

VERTICAL WALL INSTALL

Z-METAL TRIM
(WS-806)

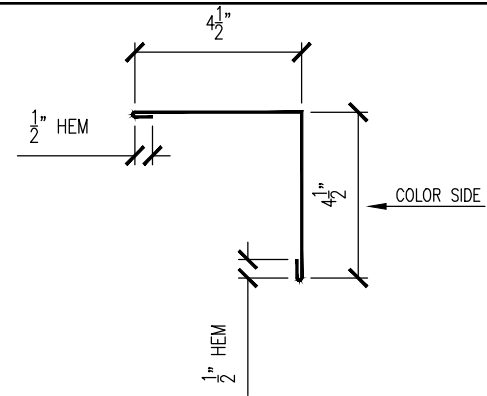
OUTSIDE CORNER
(WS-808)

Z-METAL TRIM--SMALL
(WS-816)

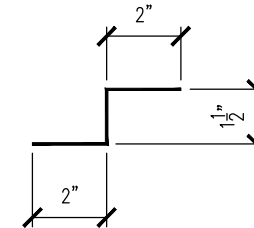
POP RIVET OR FASTENER
W/NEOPRENE WASHER
AT 12" O.C. MAX.

CONTINUOUS BUTYL SEALANT BEAD
BEAD BETWEEN FLASHING AND PANEL

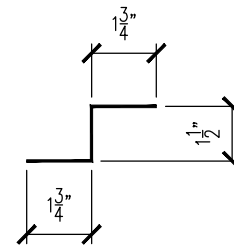
WESTERN REVEAL PANEL



OUTSIDE CORNER
(WS-808)



Z-METAL TRIM
(WS-806)



Z-METAL TRIM (SMALL)
(WS-816)

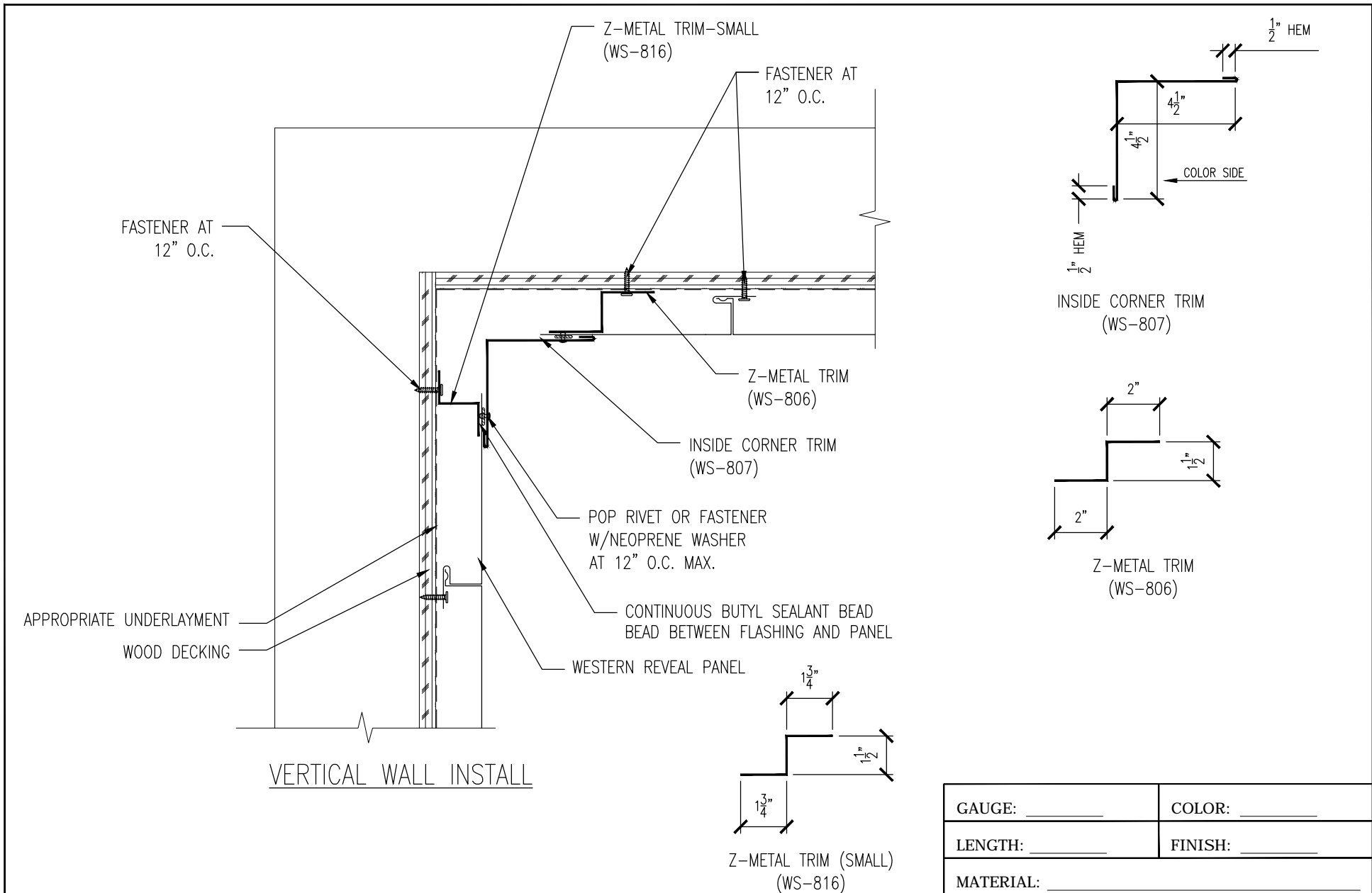
GAUGE: _____	COLOR: _____
LENGTH: _____	FINISH: _____
MATERIAL: _____	

OUTSIDE CORNER DETAIL		
	A	05-25-18
PANEL TYPE: WESTERN REVEAL®	REV:	DATE:
	DETAIL #: WR-WSD-W14	

Western States Metal Roofing

901 W. Watkins St.
Phoenix, AZ 85007
www.MetalForRoofing.com
www.RustedRoofing.com
www.MetalDeck.com

Phone: (602) 495-0048
Fax: (602) 261-7726
877-PURLINS (787-5467)



GAUGE: _____	COLOR: _____
LENGTH: _____	FINISH: _____
MATERIAL: _____	

INSIDE CORNER DETAIL		
	A	05-25-18
PANEL TYPE: WESTERN REVEAL®	REV:	DATE:
	DETAIL #: WR-WSD-W15	

Western States Metal Roofing

901 W. Watkins St.
 Phoenix, AZ 85007
www.MetalForRoofing.com
www.RustedRoofing.com
www.MetalDeck.com

Phone: (602) 495-0048
 Fax: (602) 261-7726
 877-PURLINS (787-5467)

WESTERN REVEAL PANEL

FASTENER AT
12" O.C.

CUSTOM OUTSIDE CORNER
(WS-817)

FASTENER AT
12" O.C.

APPROPRIATE UNDERLAYMENT

WOOD DECKING

WESTERN REVEAL PANEL

9" (VARIES)

1 1/2"

3"

1"

COLOR SIDE

9" (VARIES)

1"

3"

1 1/2"

CUSTOM OUTSIDE CORNER
(WS-817)

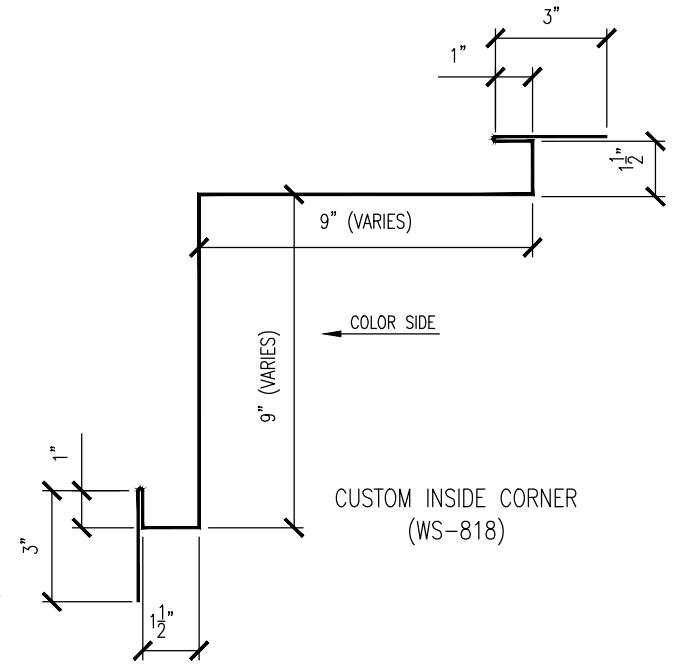
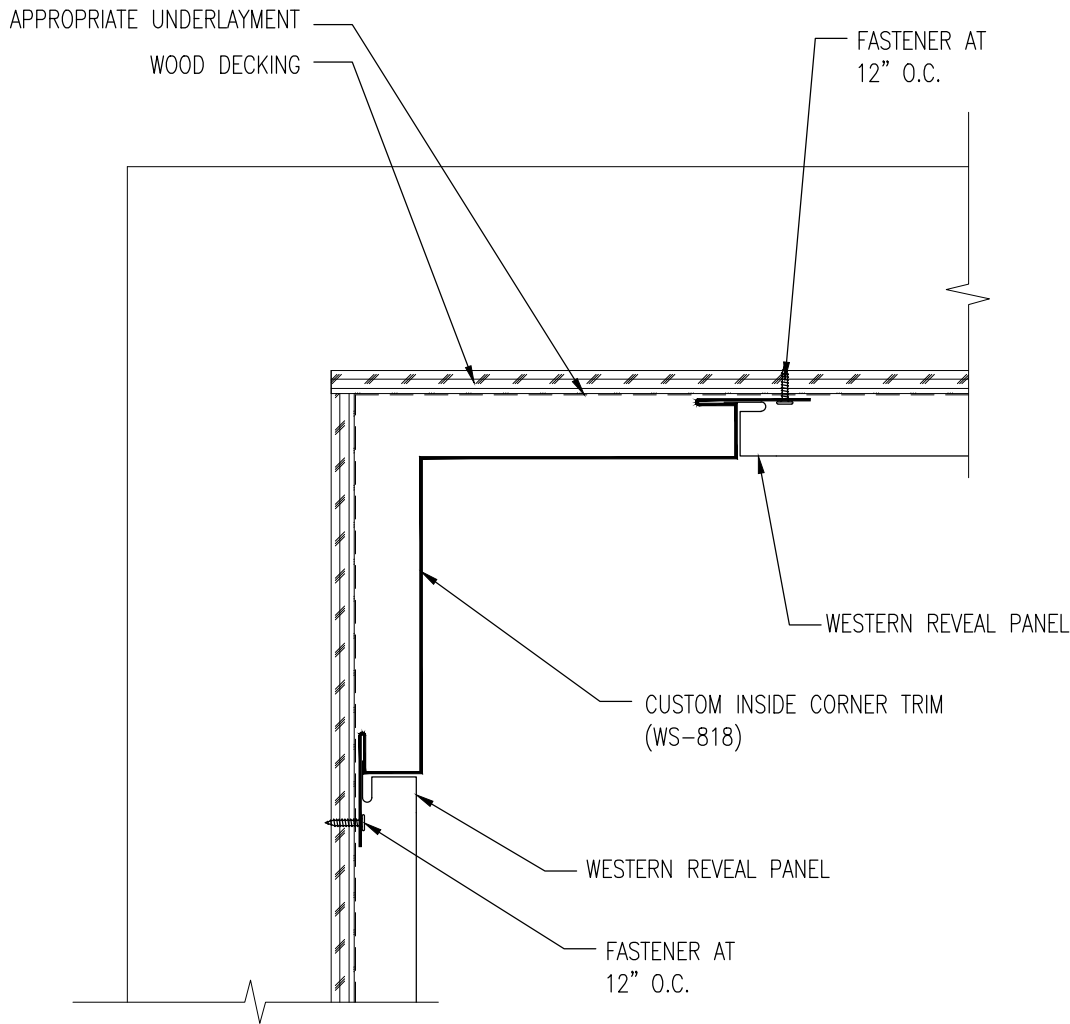
GAUGE: _____	COLOR: _____
LENGTH: _____	FINISH: _____
MATERIAL: _____	

Western States Metal Roofing

901 W. Watkins St.
Phoenix, AZ 85007
www.MetalForRoofing.com
www.RustedRoofing.com
www.MetalDeck.com

Phone: (602) 495-0048
Fax: (602) 261-7726
877-PURLINS (787-5467)

CUSTOM OUTSIDE CORNER DETAIL		
	A	05-25-18
PANEL TYPE: WESTERN REVEAL®	REV:	DATE:
	DETAIL #:	WR-WSD-W16



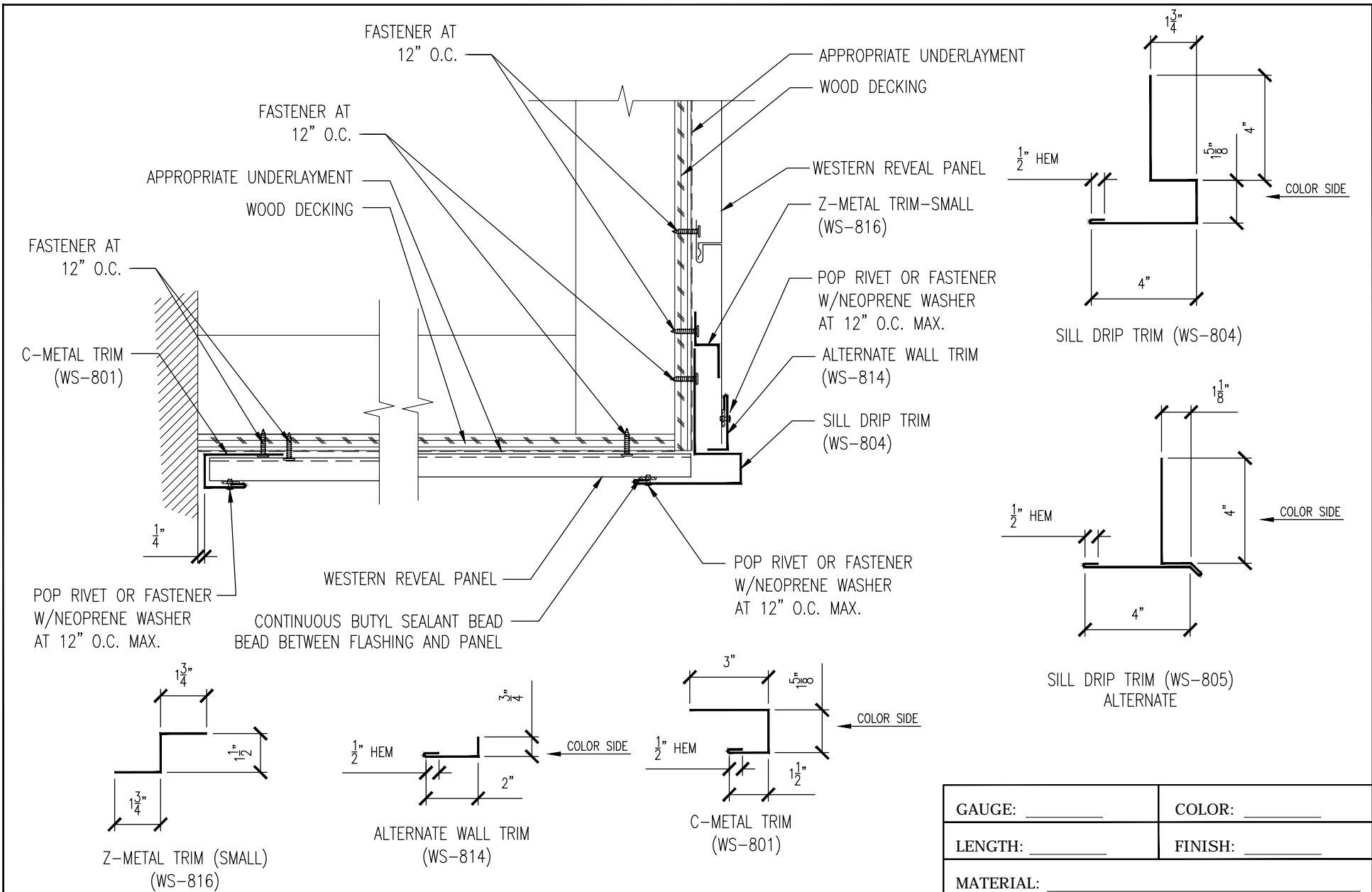
GAUGE: _____	COLOR: _____
LENGTH: _____	FINISH: _____
MATERIAL: _____	

Western States Metal Roofing

901 W. Watkins St.
 Phoenix, AZ 85007
www.MetalForRoofing.com
www.RustedRoofing.com
www.MetalDeck.com

Phone: (602) 495-0048
 Fax: (602) 261-7726
 877-PURLINS (787-5467)

CUSTOM INSIDE CORNER DETAIL		
	A	05-25-18
PANEL TYPE: WESTERN REVEAL®	REV:	DATE:
	DETAIL #: WR-WSD-W17	

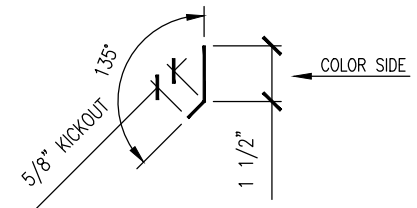
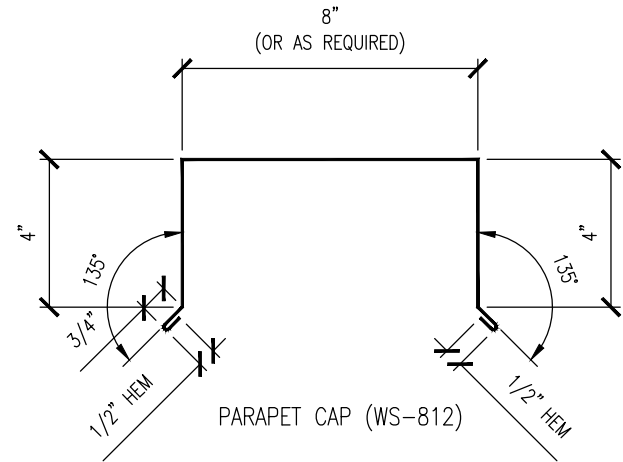
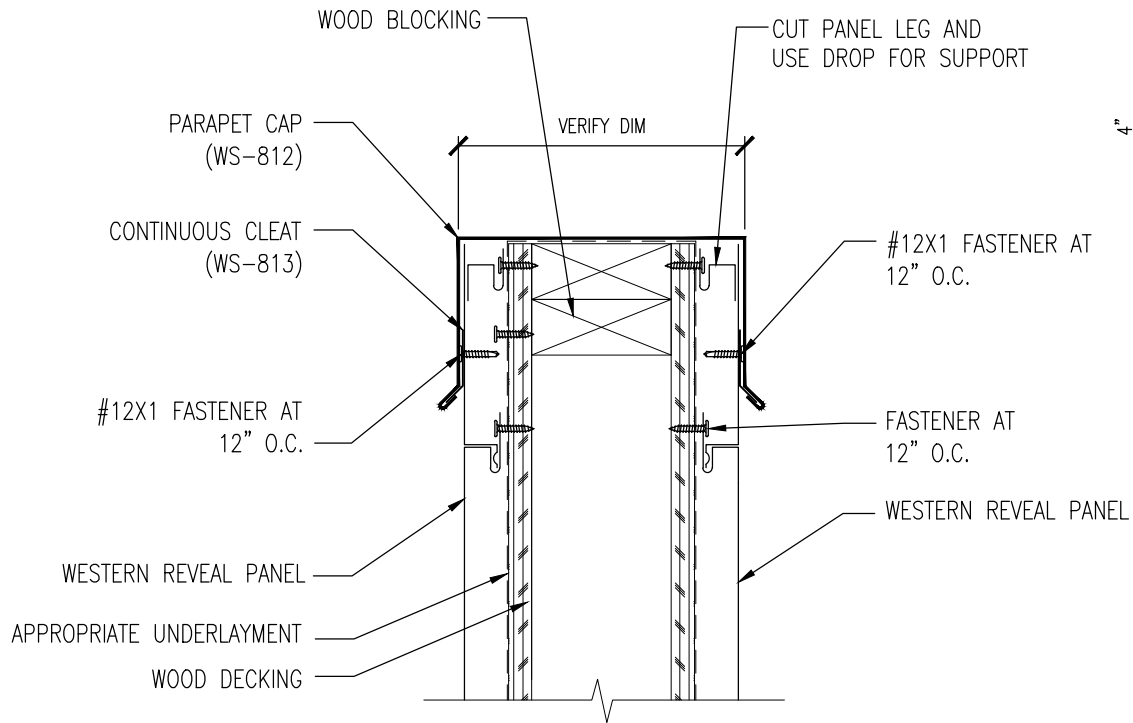


Western States Metal Roofing

901 W. Watkins St.
 Phoenix, AZ 85007
www.MetalForRoofing.com
www.RustedRoofing.com
www.MetalDeck.com

Phone: (602) 495-0048
 Fax: (602) 261-7726
 877-PURLINS (787-5467)

GAUGE: _____		COLOR: _____	
LENGTH: _____		FINISH: _____	
MATERIAL: _____			
SOFFIT TO WALL HORIZONTAL DETAIL		A	05-25-18
		REV:	DATE:
PANEL TYPE: WESTERN REVEAL®		DETAIL #: WR-WSD-W18	



CONTINUOUS CLEAT (WS-813)

GAUGE: _____	COLOR: _____
LENGTH: _____	FINISH: _____
MATERIAL: _____	

Western States Metal Roofing

901 W. Watkins St.
 Phoenix, AZ 85007
www.MetalForRoofing.com
www.RustedRoofing.com
www.MetalDeck.com

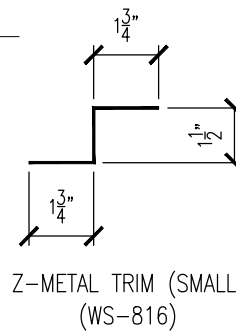
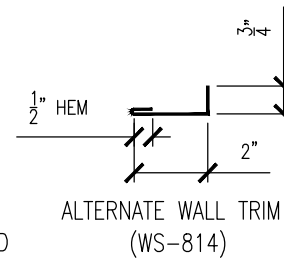
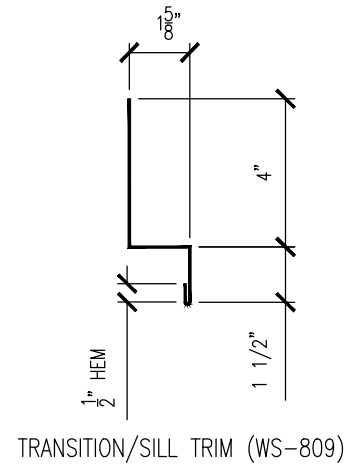
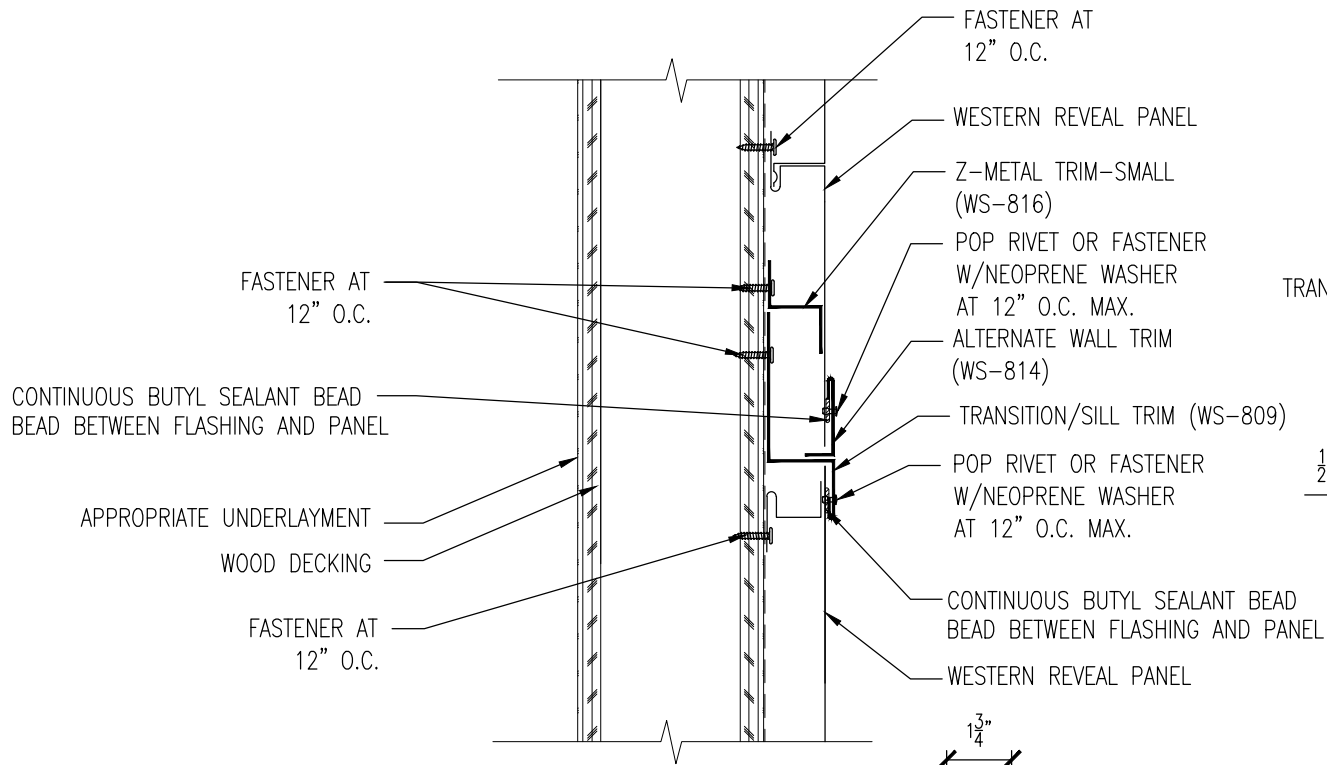
Phone: (602) 495-0048
 Fax: (602) 261-7726
 877-PURLINS (787-5467)

PARAPET WALL HORIZONTAL DETAIL

PANEL TYPE:

WESTERN REVEAL®

A	05-25-18
REV:	DATE:
DETAIL #:	WR-WSD-W19

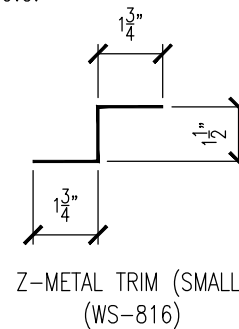
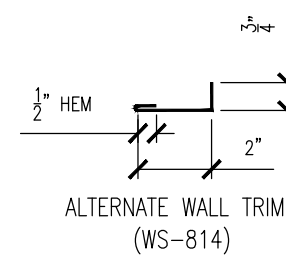
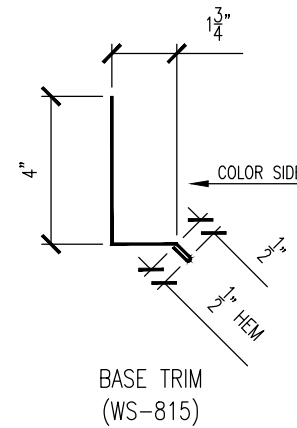
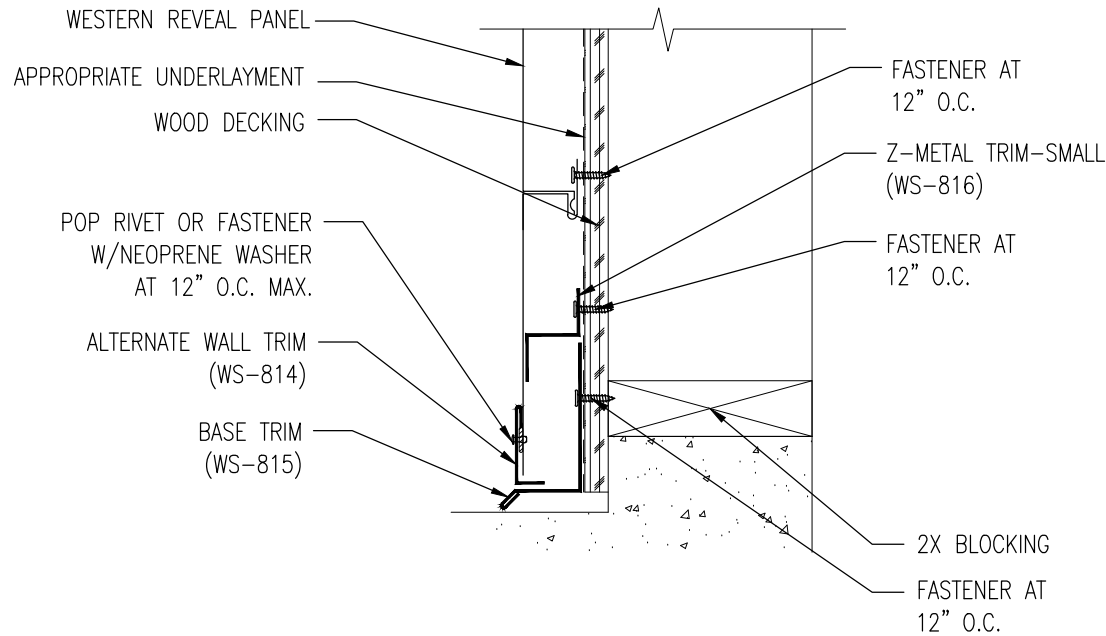


GAUGE: _____	COLOR: _____						
LENGTH: _____	FINISH: _____						
MATERIAL: _____							
SPLICE/SILL HORIZONTAL DETAIL							
PANEL TYPE: WESTERN REVEAL®	<table border="1"> <tr> <td>A</td> <td>05-25-18</td> </tr> <tr> <td>REV:</td> <td>DATE:</td> </tr> <tr> <td>DETAIL #:</td> <td>WR-WSD-W20</td> </tr> </table>	A	05-25-18	REV:	DATE:	DETAIL #:	WR-WSD-W20
A	05-25-18						
REV:	DATE:						
DETAIL #:	WR-WSD-W20						

Western States Metal Roofing

901 W. Watkins St.
Phoenix, AZ 85007
www.MetalForRoofing.com
www.RustedRoofing.com
www.MetalDeck.com

Phone: (602) 495-0048
Fax: (602) 261-7726
877-PURLINS (787-5467)



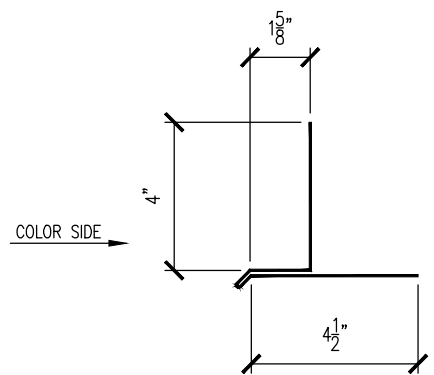
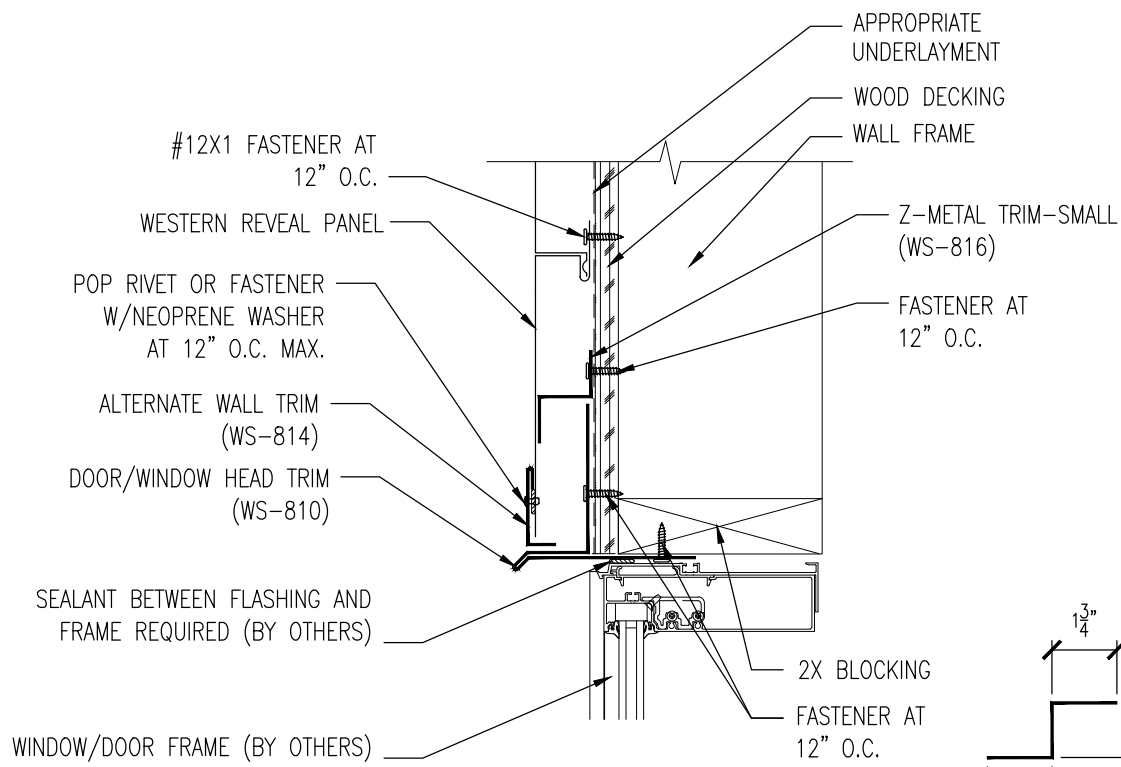
GAUGE: _____	COLOR: _____
LENGTH: _____	FINISH: _____
MATERIAL: _____	

BASE HORIZONTAL DETAIL		
	A	05-25-18
PANEL TYPE: WESTERN REVEAL®	REV:	DATE:
	DETAIL #: WR-WSD-W21	

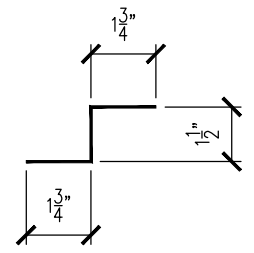
Western States Metal Roofing

901 W. Watkins St.
Phoenix, AZ 85007
www.MetalForRoofing.com
www.RustedRoofing.com
www.MetalDeck.com

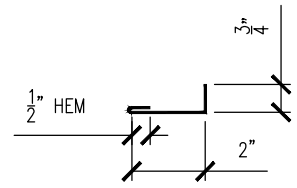
Phone: (602) 495-0048
Fax: (602) 261-7726
877-PURLINS (787-5467)



DOOR/WINDOW HEAD TRIM (WS-810)



Z-METAL TRIM (SMALL)
(WS-816)



ALTERNATE WALL TRIM
(WS-814)

GAUGE: _____	COLOR: _____
LENGTH: _____	FINISH: _____
MATERIAL: _____	

Western States Metal Roofing

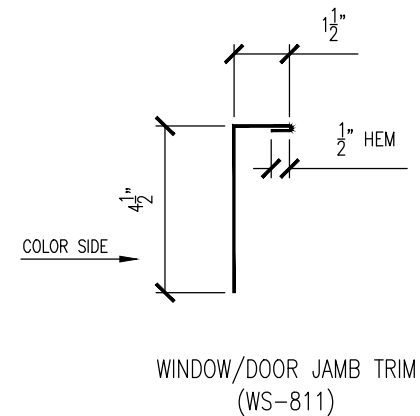
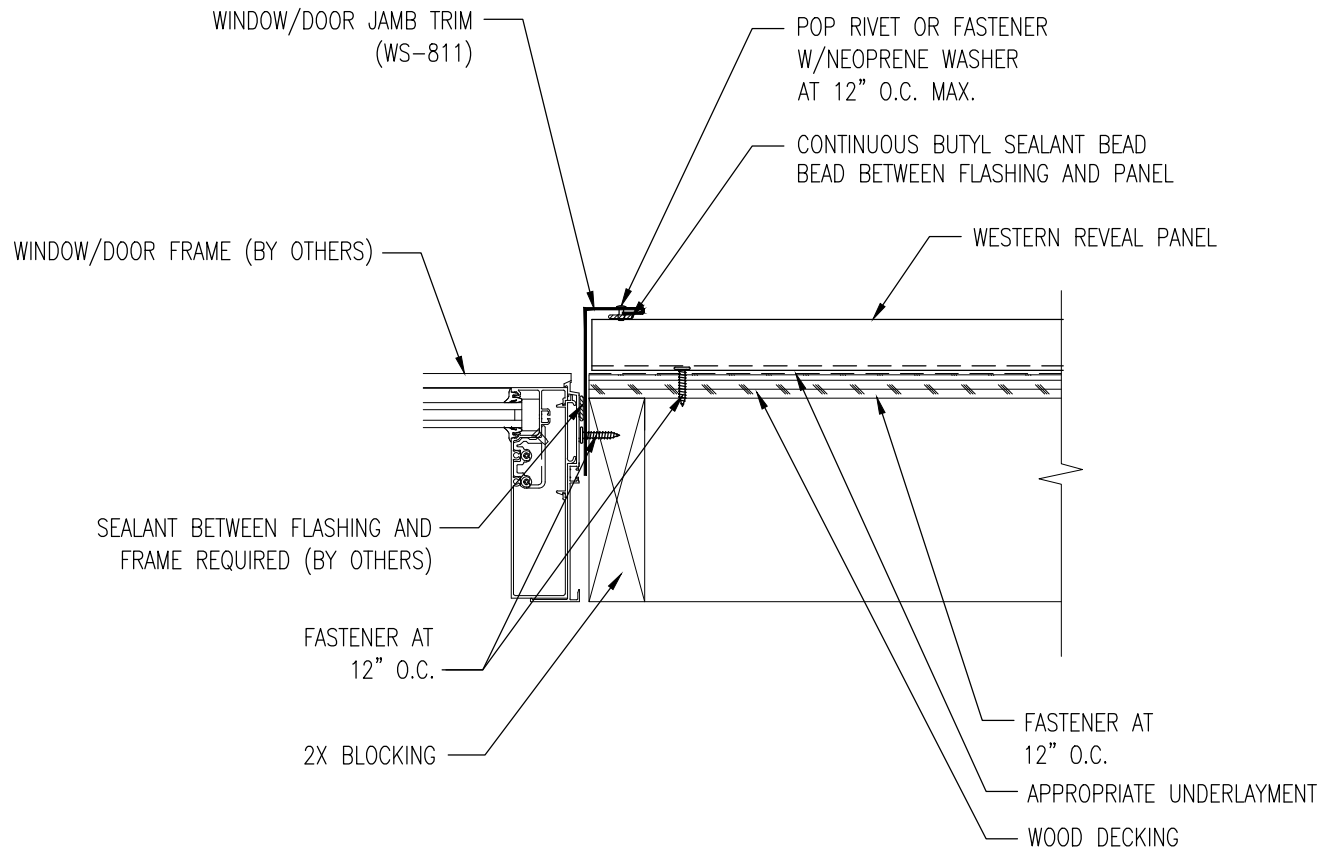
901 W. Watkins St.
Phoenix, AZ 85007
www.MetalForRoofing.com
www.RustedRoofing.com
www.MetalDeck.com

Phone: (602) 495-0048
Fax: (602) 261-7726
877-PURLINS (787-5467)

WINDOW/DOOR HEAD HORIZONTAL DETAIL

PANEL TYPE:
WESTERN REVEAL®

A	05-25-18
REV:	DATE:
DETAIL #:	WR-WSD-W22



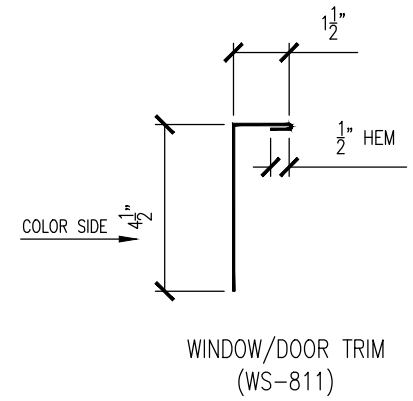
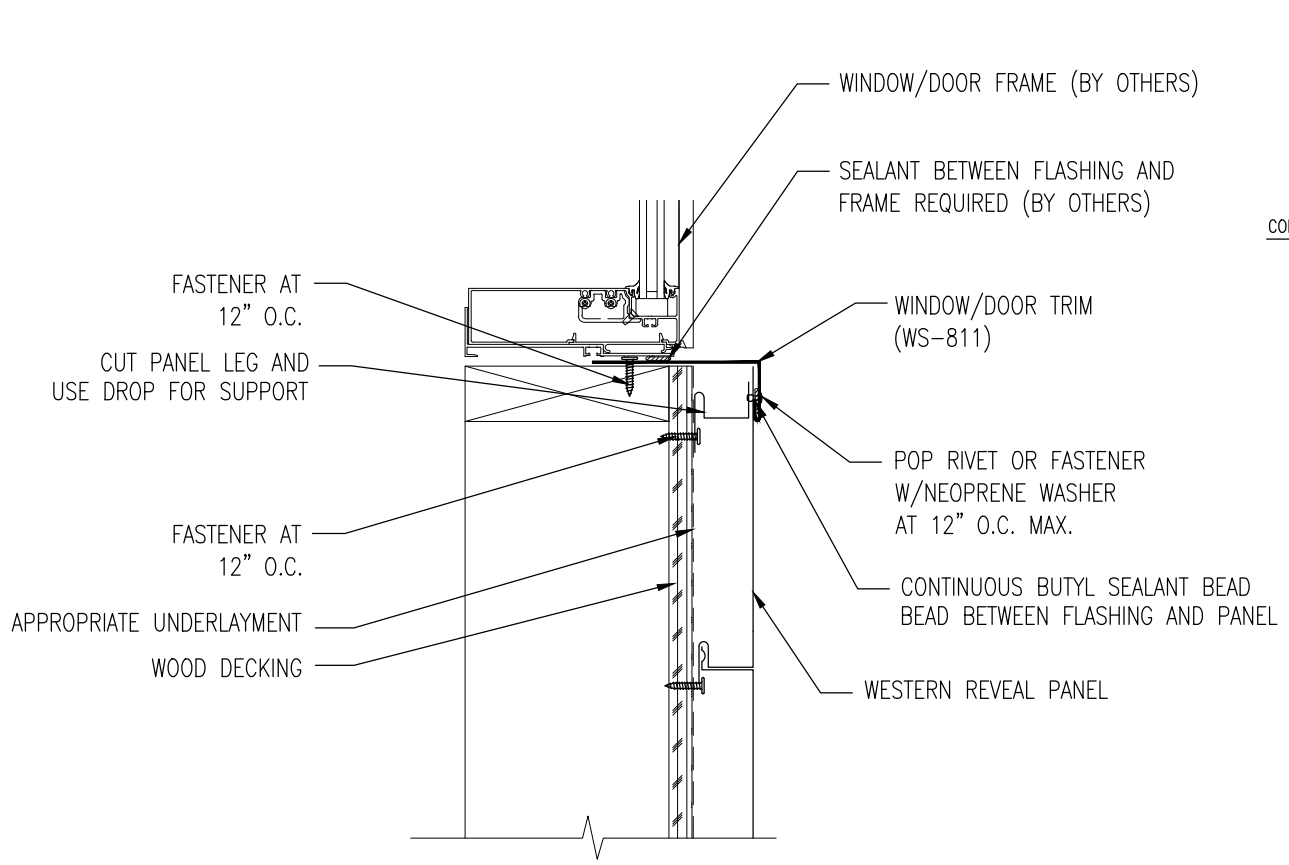
GAUGE: _____	COLOR: _____
LENGTH: _____	FINISH: _____
MATERIAL: _____	

Western States Metal Roofing

901 W. Watkins St.
 Phoenix, AZ 85007
www.MetalForRoofing.com
www.RustedRoofing.com
www.MetalDeck.com

Phone: (602) 495-0048
 Fax: (602) 261-7726
 877-PURLINS (787-5467)

WINDOW/DOOR JAMB HORIZONTAL DETAIL		
	A	05-25-18
PANEL TYPE: WESTERN REVEAL®	REV:	DATE:
	DETAIL #: WR-WSD-W23	



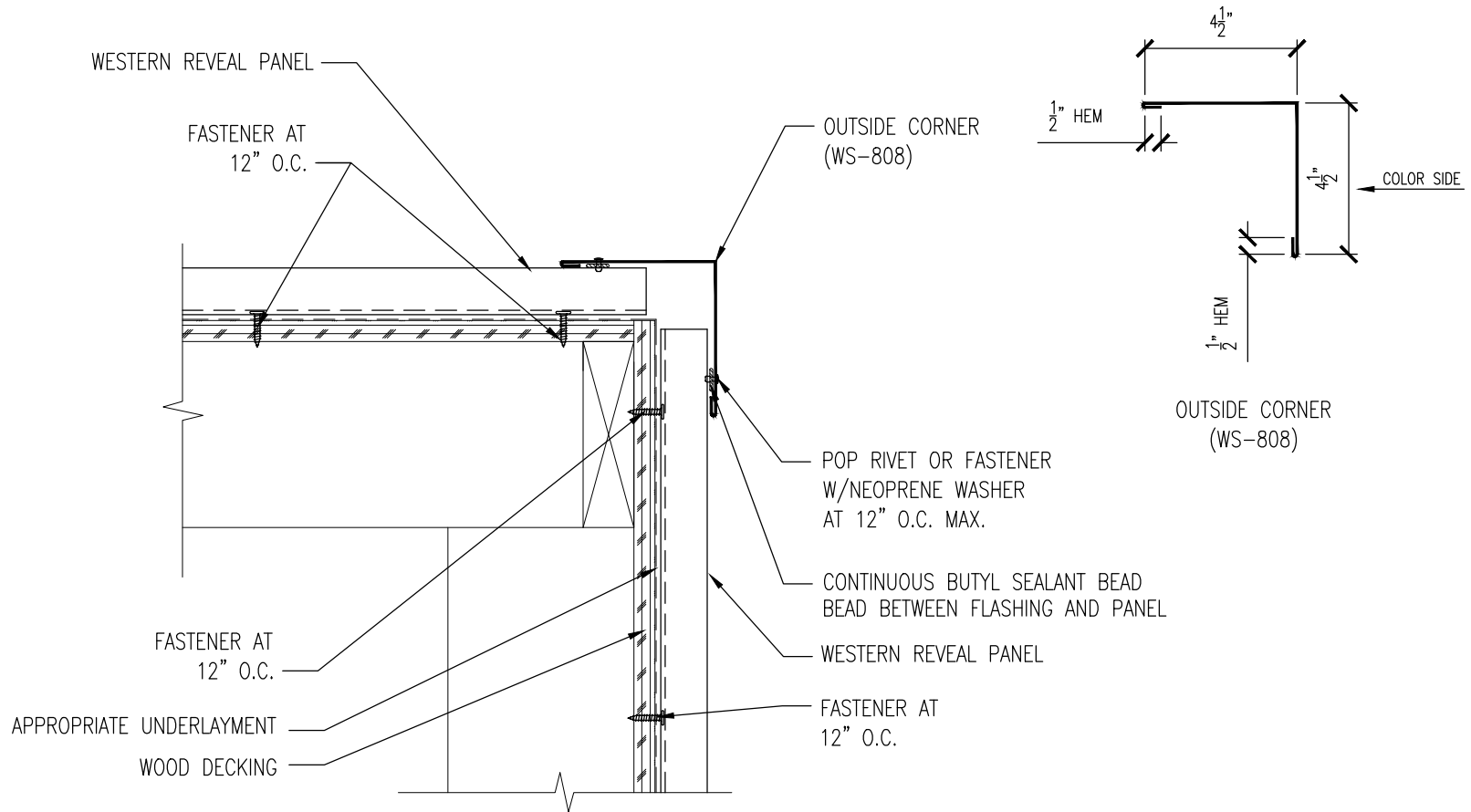
GAUGE: _____	COLOR: _____
LENGTH: _____	FINISH: _____
MATERIAL: _____	

Western States Metal Roofing

901 W. Watkins St.
 Phoenix, AZ 85007
www.MetalForRoofing.com
www.RustedRoofing.com
www.MetalDeck.com

Phone: (602) 495-0048
 Fax: (602) 261-7726
 877-PURLINS (787-5467)

WINDOW/DOOR SILL HORIZONTAL DETAIL		
	A	05-25-18
PANEL TYPE: WESTERN REVEAL®	REV:	DATE:
	DETAIL #: WR-WSD-W24	



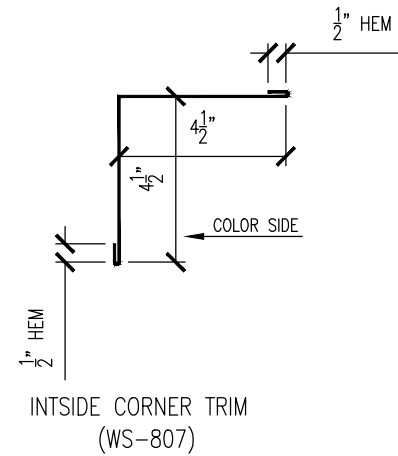
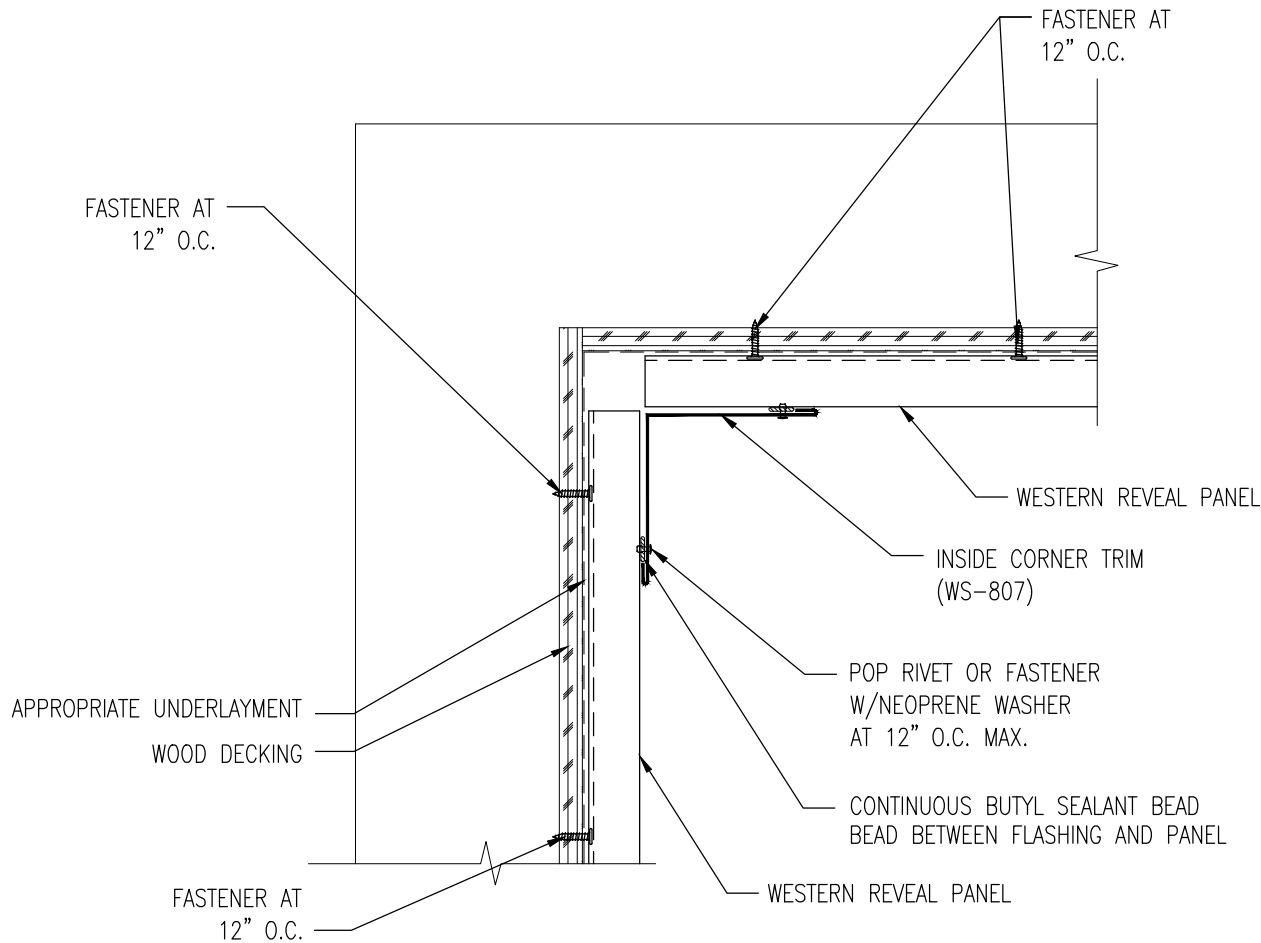
GAUGE: _____	COLOR: _____
LENGTH: _____	FINISH: _____
MATERIAL: _____	

Western States Metal Roofing

901 W. Watkins St.
 Phoenix, AZ 85007
www.MetalForRoofing.com
www.RustedRoofing.com
www.MetalDeck.com

Phone: (602) 495-0048
 Fax: (602) 261-7726
 877-PURLINS (787-5467)

OUTSIDE CORNER HORIZONTAL DETAIL		
	A	05-25-18
PANEL TYPE: WESTERN REVEAL®	REV:	DATE:
	DETAIL #: WR-WSD-W25	



GAUGE: _____		COLOR: _____	
LENGTH: _____		FINISH: _____	
MATERIAL: _____			
INSIDE CORNER HORIZONTAL DETAIL			
		A	05-25-18
PANEL TYPE: WESTERN REVEAL®		REV:	DATE:
		DETAIL #: WR-WSD-W26	

Western States Metal Roofing

901 W. Watkins St.
 Phoenix, AZ 85007
www.MetalForRoofing.com
www.RustedRoofing.com
www.MetalDeck.com

Phone: (602) 495-0048
 Fax: (602) 261-7726
 877-PURLINS (787-5467)

CUSTOM TRIM

GAUGE: _____	COLOR: _____	
BREAKS: _____	FINISH: _____	
LENGTH: _____	STRETCH OUT: _____	
MATERIAL: _____		
CUSTOM TRIM NAME: _____		
	A	05-25-18
PANEL TYPE: WESTERN REVEAL[®]	REV:	DATE:
	DETAIL #: WR-WSD-CT28	

Western States Metal Roofing

901 W. Watkins St.
 Phoenix, AZ 85007
www.MetalForRoofing.com
www.RustedRoofing.com
www.MetalDeck.com

Phone: (602) 495-0048
 Fax: (602) 261-7726
 877-PURLINS (787-5467)

Western States "Western Reveal"® Panel Installation, Flashings & Shop Drawing Detail Guide

Special Design Considerations

The details contained in this guide are proven industry details and are intended to be used as a design aid and installation guide. It does not depict all situations that may be encountered on all projects. Modifications are the responsibility of the designer/ owner/ installer.

Consideration should be given for Fit for Purpose, Building use, Climate conditions such as temperature, snow, wind, and moisture, Governing Building Codes, and Maintenance.

It is highly recommended that all trims and flashings be of the same material as the panels (metal, gauge, finish) to ensure long term performance and durability. Where possible, flashing edges should be hemmed to strengthen the edge and protect the cut edge from exposure.

Acceptance

Use of this manual is strictly voluntary. Details that are provided are to be used as a guide only. Details may not be applicable for all situations. This guide provides one standard detail and WSDI accepts that other installation details may be needed and other details may exist. WSDI makes no guarantee as to the Weather Tightness of the system or details found with in this guide. The information in this manual is believed to be correct and accurate at the time of printing. WSDI reserves the right to change details, discontinue products, change designs at any time without incurring obligation. It is best to consult your Design Engineer for recommendations.

Underlayment

There are many types of underlayment's on the market today. All designed with a special purpose depending on the type of Metal and profile. Many different types of metal will require a different type of underlayment, such as A606-4 (Corten) which requires a High Temperature underlayment. It is best to consult your Design Engineer for recommendations.

Snow Design

Design and dimension must be the proper width to accommodate high snow, rain, ice, and slope conditions. If possible, splices, penetrations, should be minimized in areas of high snow and ice accumulations. Details found in this manual may not pertain in areas of high snow and ice accumulations.

Panel coverage and fastening

Normal panel width of Western Reveal panels are 12". Please consult with your WSDI representative for details and fastening recommendations.

Safety and Maintenance

Extreme care should always be used when working with metals. Safety should always be a top priority and approved fall protection and equipment as approved by OSHA should always be used. No Structure is immune to severe weather or is completely maintenance free. To keep your Siding performing as it was designed; an inspection and comprehensive maintenance program should be implemented.³

References

For other installation techniques and details, The Sheet Metal and Air Conditioning Contractors National Association Inc. (SMACNA) and NRCA manuals are great resource for working with sheet metal.

Technical Assistance

Contact your WSDI sales or technical representative for any additional information or assistance. To insure you have the latest information available, please inquire or visit our web sites at WWW.Metalforroofing.com



Finishes You've Never Seen Before®

WESTERN STATES METAL ROOFING

(877) 787-5467 • WESTERNSTATESMETALROOFING.COM

REQUEST A FREE METAL COLOR SAMPLE

Affordable Delivery throughout USA, Canada, and Mexico

Phoenix: 901 W Watkins St., Phoenix, AZ 85007

☎ (602) 495-0048

✉ sales@westernstatesmetalroofing.com

Tucson: 4975 E. Drexel Rd., Tucson, AZ 85706

☎ (520) 574-4247

✉ tucsonsales@westernstatesmetalroofing.com



www.facebook.com/westernstatesmetalroofing/



www.instagram.com/westernstatesmetalroofing/



www.twitter.com/weststatesmetal



www.youtube.com/westernstatesmetalroofing



www.linkedin.com/company/western-states-metal-roofing



www.pinterest.com/westernstatesmetalroofing/



www.houzz.com/pro/raynaann/western-states-metal-roofing