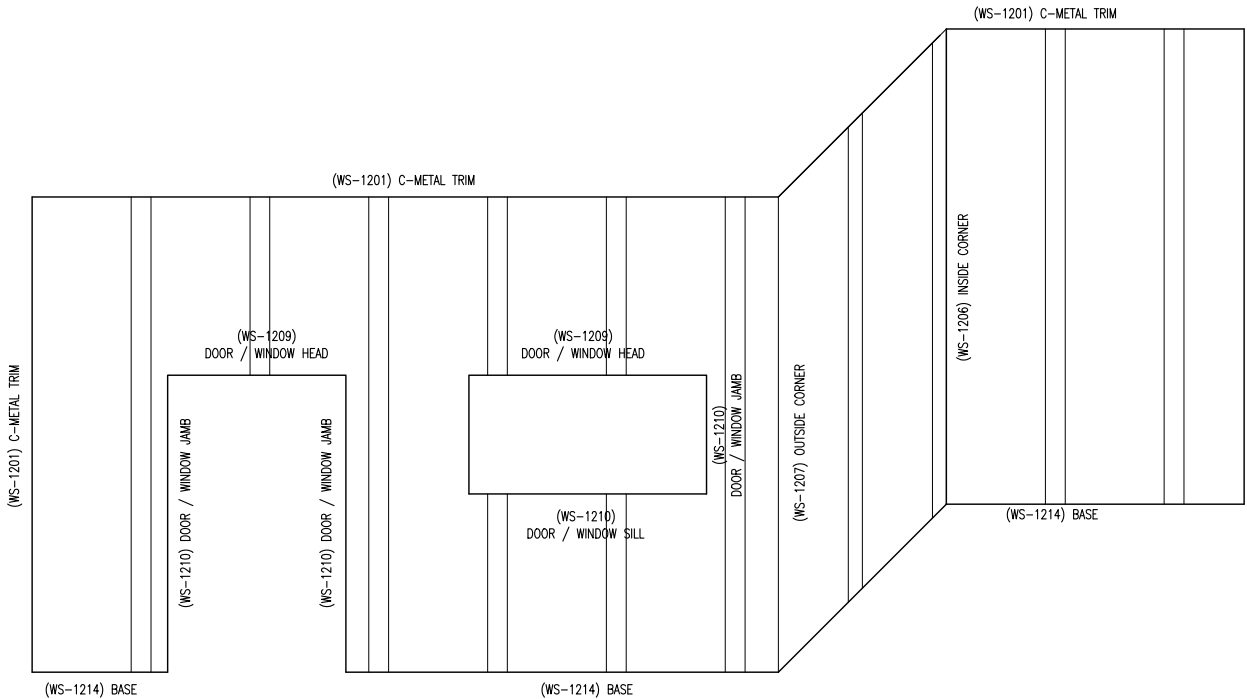


FLASHING TYPE

DETAIL NO.

STANDARD TRIM	WSD-ST1
STANDARD TRIM	WSD-ST2
STANDARD TRIM	WSD-ST3
SOFFIT END SPLICE	WSD-W1
WALL-SOFFIT END SPLICE	WSD-W2
SOFFIT END WALL	WSD-W3
ALTERNATE SOFFIT END WALL	WSD-W4
SOFFIT TO WALL DRIP Op1	WSD-W5
SOFFIT TO WALL DRIP Op2	WSD-W6
HORIZONTAL SIDING END WALL	WSD-W7
VERTICAL SIDING END WALL Op1	WSD-W8
VERTICAL SIDING END WALL Op2	WSD-W9
PARAPET WALL	WSD-W10
WAINSCOAT TRANSITION TO PBR	WSD-W11
VERTICAL BASE	WSD-W12
WINDOW/DOOR HEAD	WSD-W13
WINDOW/DOOR JAMB Op1	WSD-W14
WINDOW/DOOR JAMB Op2	WSD-W15
WINDOW/DOOR SILL	WSD-W16
TRANSITION BB - 7/8" CORR.	WSD-W17
TRANSITION BB - WESTERN RIB	WSD-W18
TRANSITION BB - WESTERN REVEAL	WSD-W19
TRANSITION BB - RUSTWALL	WSD-W20
TRANSITION BB - WESTERN WAVE	WSD-W21
TRANSITION BB - WESTERN LOCK	WSD-W22
TRANSITION BB - WESTERN SEAM 1.5	WSD-W23
TRANSITION BB - WESTERN SEAM 1.0	WSD-W24
SOFFIT TO WALL HORIZONTAL	WSD-W25
PARAPET WALL HORIZONTAL	WSD-W26
HORIZONTAL BASE OP 1	WSD-W27
HEAD TRIM HORIZONTAL	WSD-W28
JAMB @ WINDOW/DOOR HRZ.	WSD-W29
JAMB @ WINDOW/DOOR VERTICAL	WSD-W30
WINDOW/DOOR SILL HORIZONTAL	WSD-W31
TRANSITION BB - 7/8" HORIZONTAL	WSD-W32
TRANSITION BB - WESTERN RIB HRZ.	WSD-W33
TRANSITION BB - PBR HRZ.	WSD-W34
TRANSITION BB - WESTERN WAVE HRZ.	WSD-W35
TRANSITION BB - T-GROOVE HRZ.	WSD-W36
TRANSITION BB - WESTERN REV. HRZ.	WSD-W37
TRANSITION BB - WESTERN REV. HRZ.	WSD-W38
OUTSIDE CORNER	WSD-W39
INSIDE CORNER	WSD-W40
OUTSIDE CORNER OP2	WSD-W41
INSIDE CORNER OP2	WSD-W42
CUSTOM TRIM SHEET	WSD-N43
NOTES	WSD-CT44



Western States Metal Roofing

901 W. Watkins St.

Phoenix, AZ 85007

www.westernstatesmetalroofing.com

Phone: (602) 495-0048

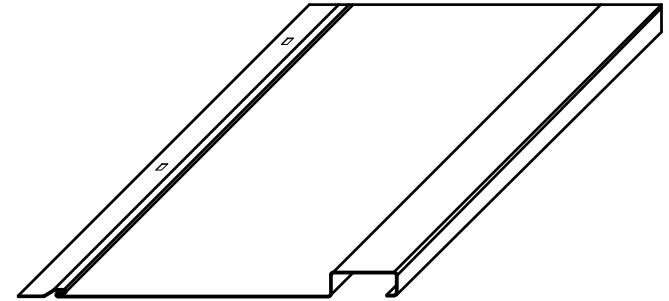
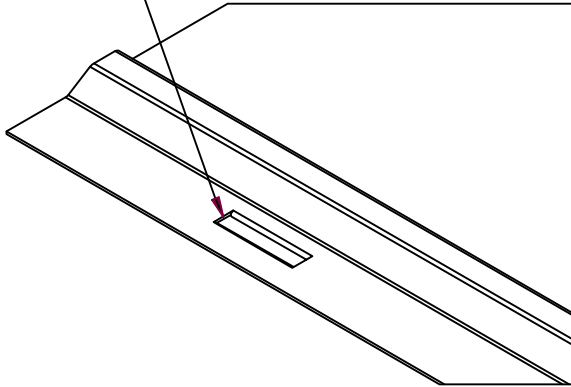
Fax: (602) 261-7726

877-PURLINS (787-5467)

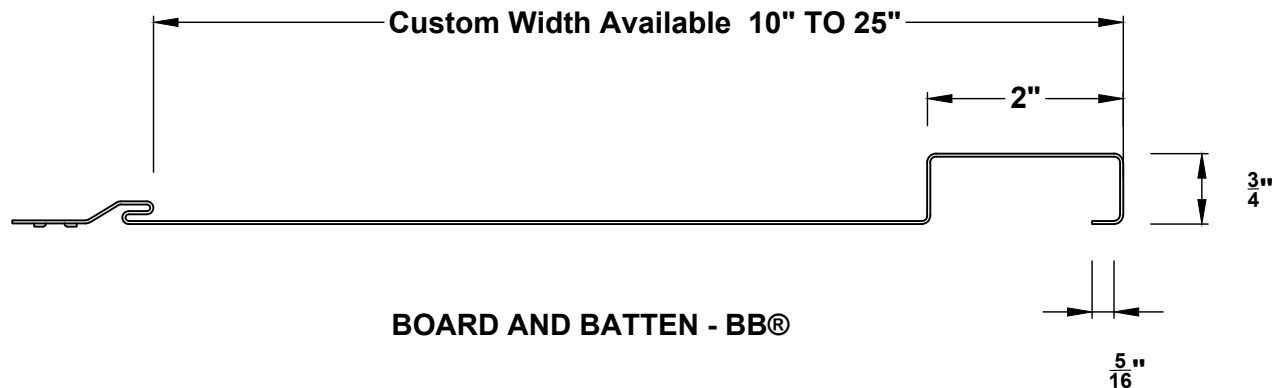


STANDARD TRIMS		
	A	07-18-2023
PANEL TYPE: BOARD AND BATTEN	REV:	DATE:
	DETAIL #: WP-WSD-ST1	

1" x 3/16" SLOT SPACED EVERY 6 3/8"
(THESE TOLERANCES ARE ±1/16")



BOARD AND BATTEN			
PANEL NAME	BOARD COVERAGE	BATTEN COVERAGE	OVERALL COVERAGE
BB-20®	18"	2"	20"
BB-18®	16"	2"	18"
BB-16®	14"	2"	16"
BB-14®	12"	2"	14"
BB-12®	10"	2"	12"
BB-10®	8"	2"	10"



BOARD AND BATTEN - BB®

Available Lengths: 1'-0" to 30'-0" Max

Western States Metal Roofing	SCALE:	TITLE / PART NAME:		
	DRAWN:	BOARD AND BATTEN		
	DATE:	PRODUCT / PRODUCT LINE		
901 W. Watkins St. Phoenix, AZ 85007	CHECKED:	BB ®		
	DATE:	PART I.D.	REVISION	SHEET
	6/1/2023		1	

Copyright: The design and print is the property of Western States Metal Roofing, and must not be used, reproduced, or copied, wholly or in part without the written permission from the company. Supply of this design and print represents a confidential communication between the company and recipient.

<p>END SPLICE WS-1200</p>	<p>C METAL (J-TRIM) WS-1201</p>	<p>REVEAL FLASHING WS1202</p>	<p>SILL DRIP TRIM WS-1203</p>
<p>ALTERNATE SILL DRIP TRIM WS-1204</p>	<p>Z METAL TRIM WS-1205</p>	<p>INSIDE CORNER TRIM WS-1206</p>	<p>OUTSIDE CORNER TRIM WS-1207</p>
<p>TRANSITION/SILL TRIM WS-1208</p>	<p>DOOR/WINDOW HEAD TRIM WS-1209</p>	<p>DOOR/WINDOW JAMB TRIM WS-1210</p>	<p>PARAPET CAP WS-1211</p>



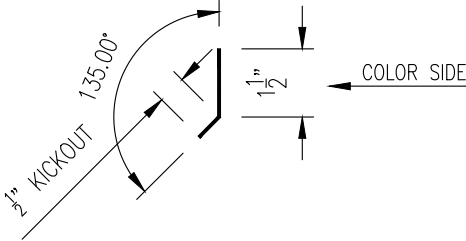
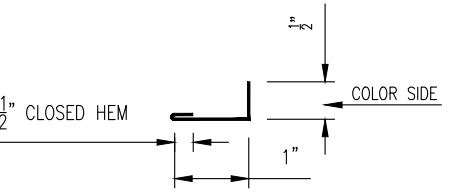
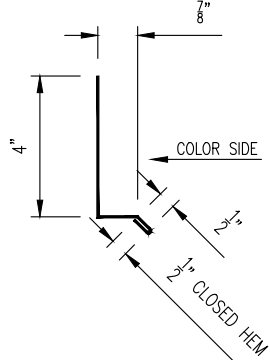
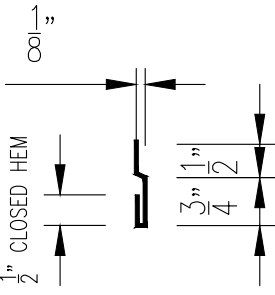
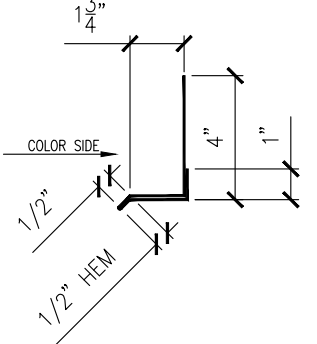
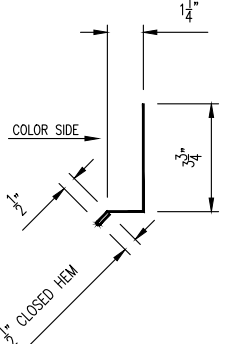
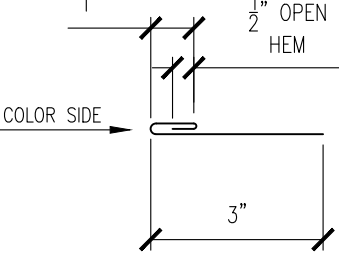
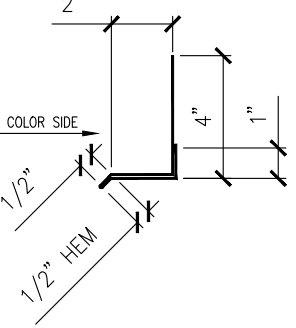
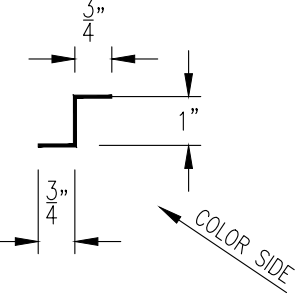
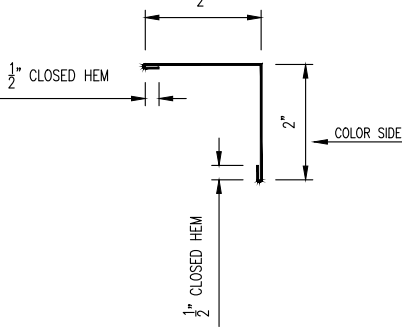
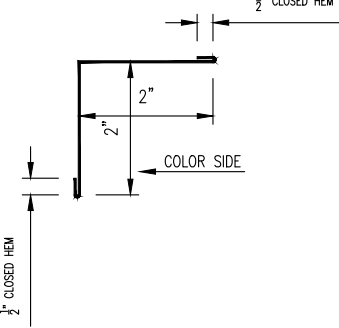
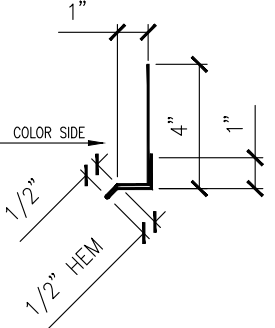
Western States Metal Roofing

901 W. Watkins St.
Phoenix, AZ 85007
www.westernstatesmetalroofing.com

Phone: (602) 495-0048
Fax: (602) 261-7726
877-PURLINS (787-5467)



STANDARD TRIMS		
PANEL TYPE: BOARD AND BATTEN	A	07-18-2023
	REV:	DATE:
	DETAIL #:	WP-WSD-ST1

<p>TRIM CLEAT WS-1212</p> 	<p>ALTERNATE WALL TRIM WS-1213</p> 	<p>BASE TRIM WS-1214</p> 	<p>SPRING CLEAT WS-1215</p> 
<p>BASE TRIM WS-1216</p> 	<p>BASE TRIM WS-1217</p> 	<p>GABLE STARTED TRIM WS-1218</p> 	<p>BASE TRIM WS-1219</p> 
<p>Z TRIM WS-1220</p> 	<p>OUTSIDE CORNER WS-1221</p> 	<p>INSIDE CORNER WS-1222</p> 	<p>BASE TRIM WS-1223</p> 



Western States Metal Roofing

901 W. Watkins St.
Phoenix, AZ 85007
www.westernstatesmetalroofing.com

Phone: (602) 495-0048
Fax: (602) 261-7726
877-PURLINS (787-5467)



STANDARD TRIMS			
PANEL TYPE: BOARD AND BATTEN		A	07-18-2023
		REV:	DATE:
		DETAIL #: WP-WSD-ST2	

BASE WS-1224	BASE WS-1225		



Western States Metal Roofing

901 W. Watkins St.
Phoenix, AZ 85007

www.westernstatesmetalroofing.com

Phone: (602) 495-0048

Fax: (602) 261-7726

877-PURLINS (787-5467)



STANDARD TRIMS

PANEL TYPE:

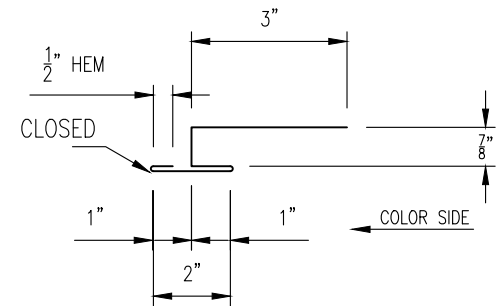
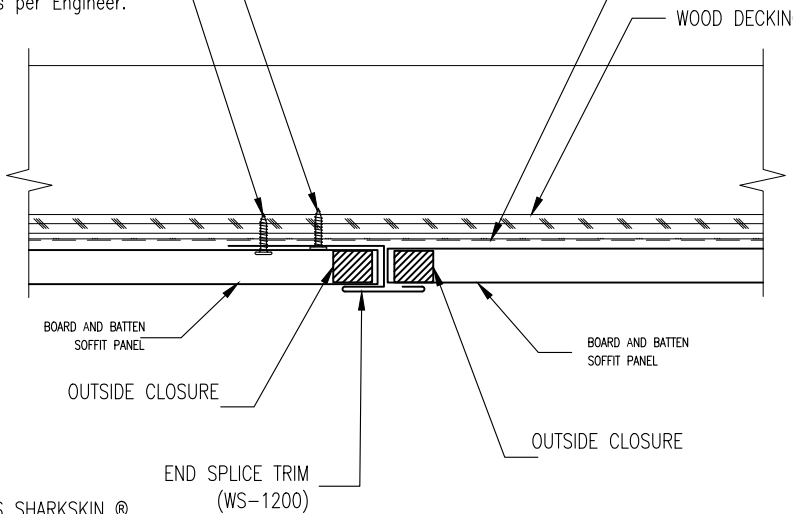
BOARD AND BATTEN

A	07-18-2023
REV:	DATE:
DETAIL #:	
WP-WSD-ST3	

#10X1 PANCAKE WOODGRIP
SCREW AT 12" O.C. As per Engineer.

#10X1 PANCAKE WOODGRIP
SCREW AT SIDELAP JOINT
AT 2' O.C. As per Engineer.

ADD APPROPRIATE UNDERLAYMENT **



END SPLICE TRIM
(WS-1200)

**WSMR RECOMMENDS SHARKSKIN @
ULTRA OR SHARKSKIN @ ULTRASA

GAUGE: _____	COLOR: _____
LENGTH: _____	FINISH: _____
MATERIAL: _____	

SOFFIT END SPLICE DETAIL	A	7-18-2023
	REV:	DATE:
PANEL TYPE: BOARD AND BATTEN	DETAIL #: WP-WSD-W1	

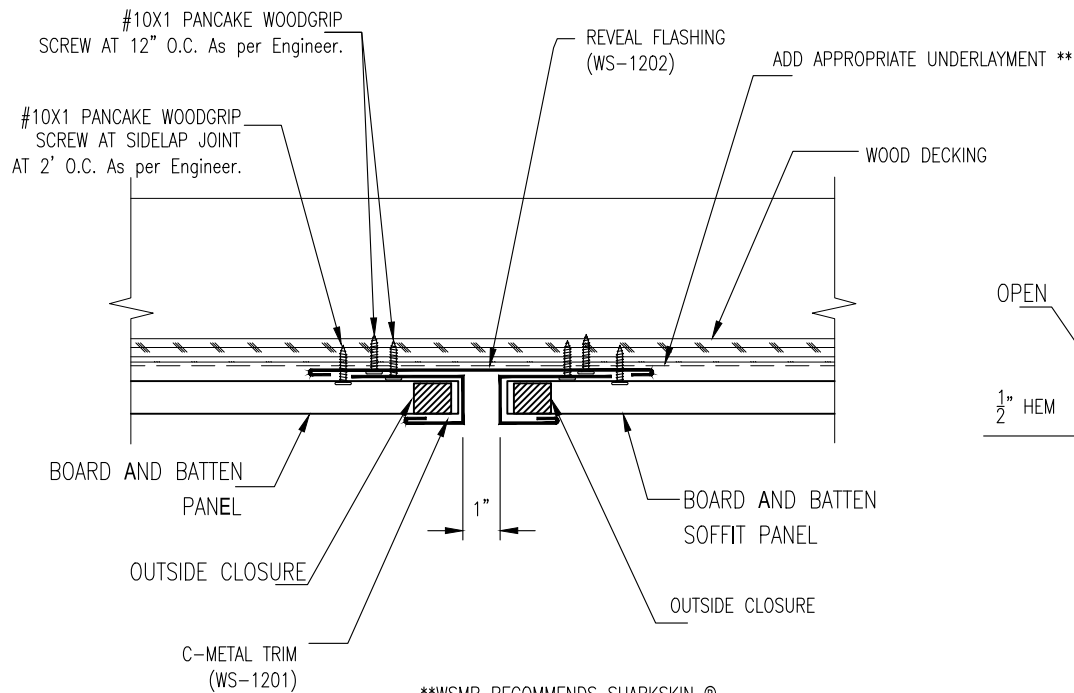


Western States Metal Roofing

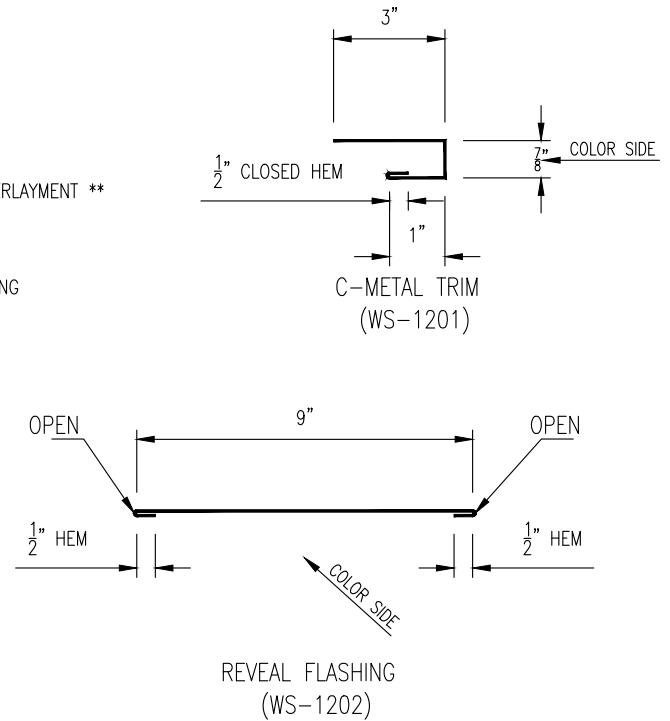
901 W. Watkins St.
Phoenix, AZ 85007
www.westernstatesmetalroofing.com

Phone: (602) 495-0048
Fax: (602) 261-7726
877-PURLINS (787-5467)





**WSMR RECOMMENDS SHARKSKIN ® ULTRA OR SHARKSKIN ® ULTRASA



GAUGE: _____	COLOR: _____
LENGTH: _____	FINISH: _____
MATERIAL: _____	

WALL/SOFFIT END SPLICE DETAIL		
	A	7-18-2023
PANEL TYPE: BOARD AND BATTEN	REV:	DATE:
	DETAIL #: WP-WSD-W2	

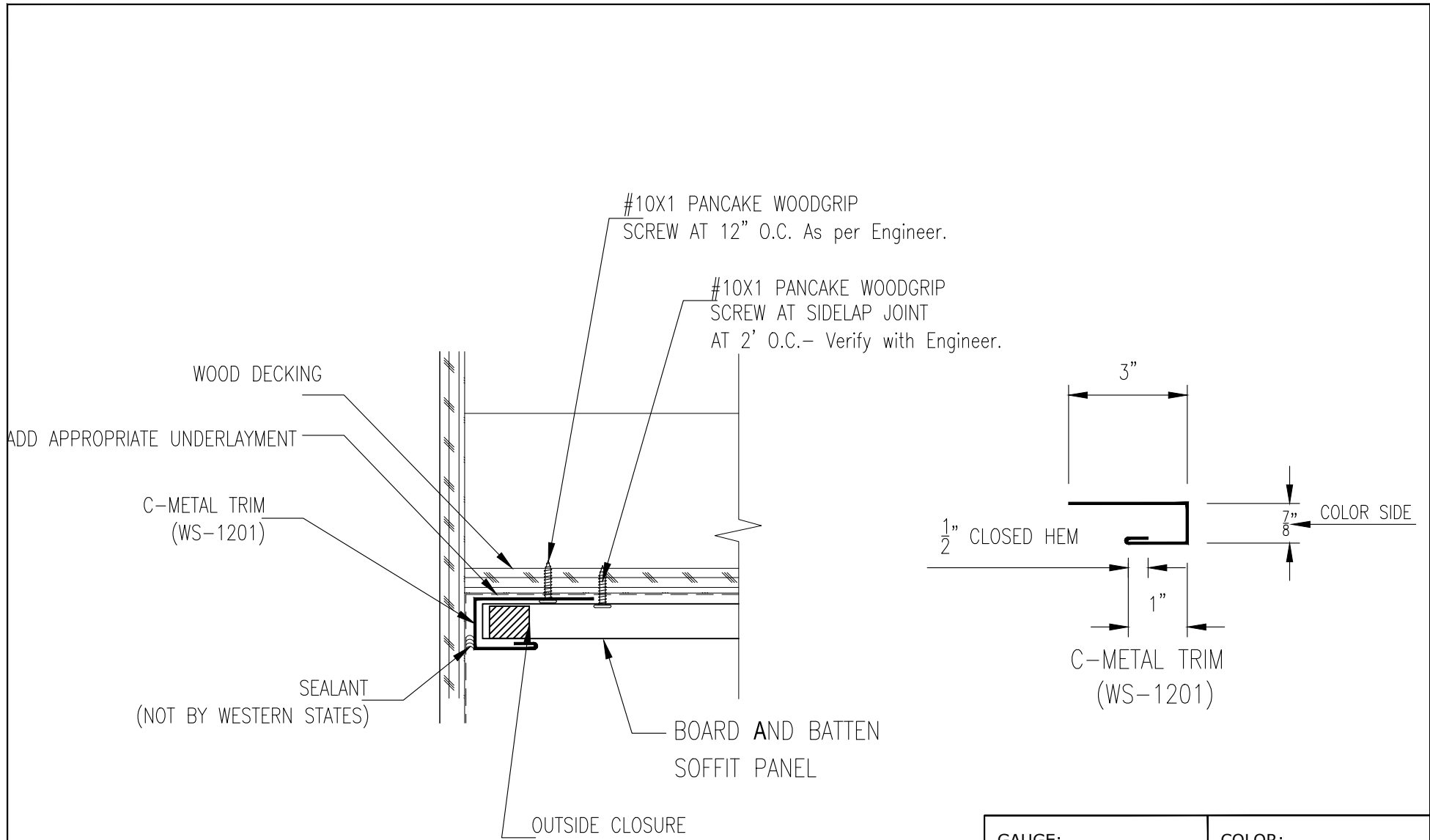


Western States Metal Roofing

901 W. Watkins St.
Phoenix, AZ 85007
www.westernstatesmetalroofing.com

Phone: (602) 495-0048
Fax: (602) 261-7726
877-PURLINS (787-5467)





GAUGE: _____	COLOR: _____
LENGTH: _____	FINISH: _____
MATERIAL: _____	

SOFFIT END WALL DETAIL		
	A	7-18-2023
PANEL TYPE: BOARD AND BATTEN	REV:	DATE:
	DETAIL #: WP-WSD-W3	

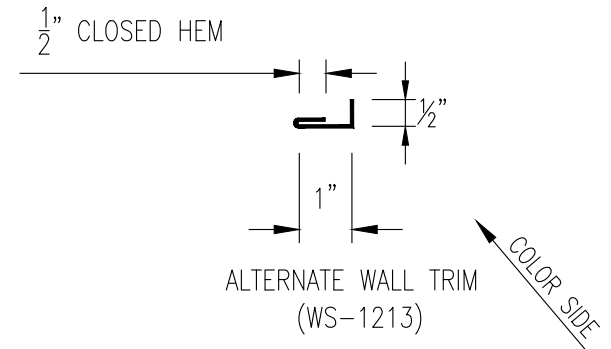
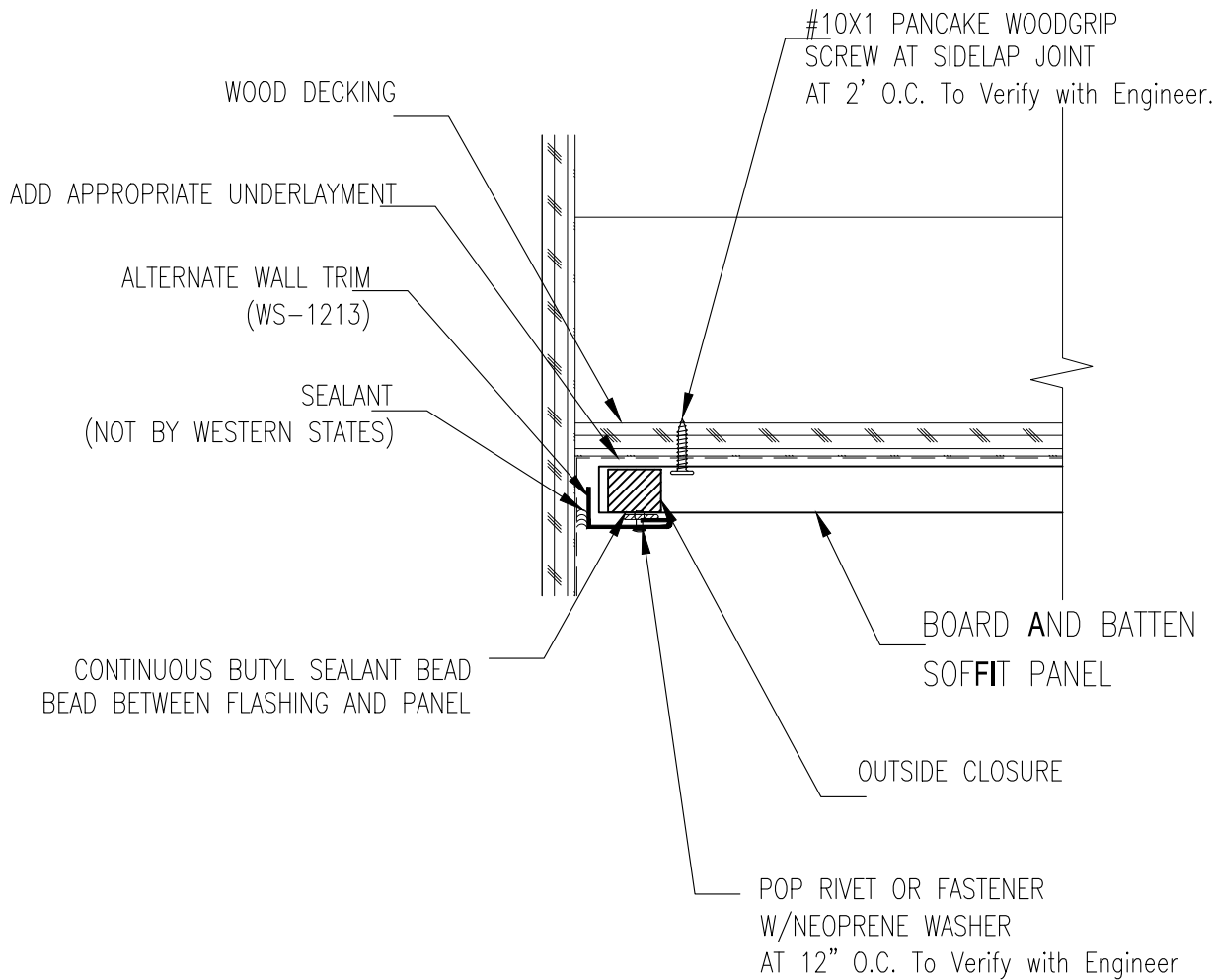


Western States Metal Roofing

901 W. Watkins St.
 Phoenix, AZ 85007
www.westernstatesmetalroofing.com

Phone: (602) 495-0048
 Fax: (602) 261-7726
 877-PURLINS (787-5467)





GUAGE: _____	COLOR: _____
LENGTH: _____	FINISH: _____
MATERIAL: _____	

ALTERNATE SOFFIT END WALL DETAIL		
	A	7-18-2023
PANEL TYPE: BOARD AND BATTEN	REV:	DATE:
	DETAIL #: WP-WSD-W4	



Western States Metal Roofing

901 W. Watkins St.
Phoenix, AZ 85007

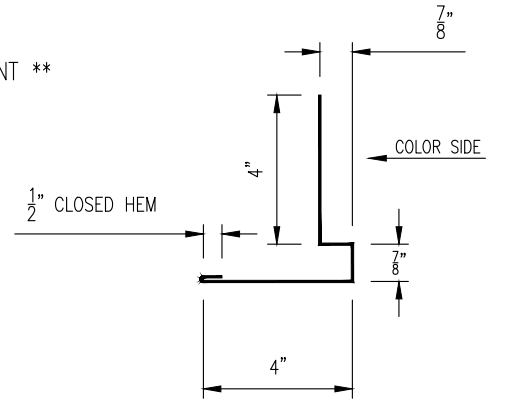
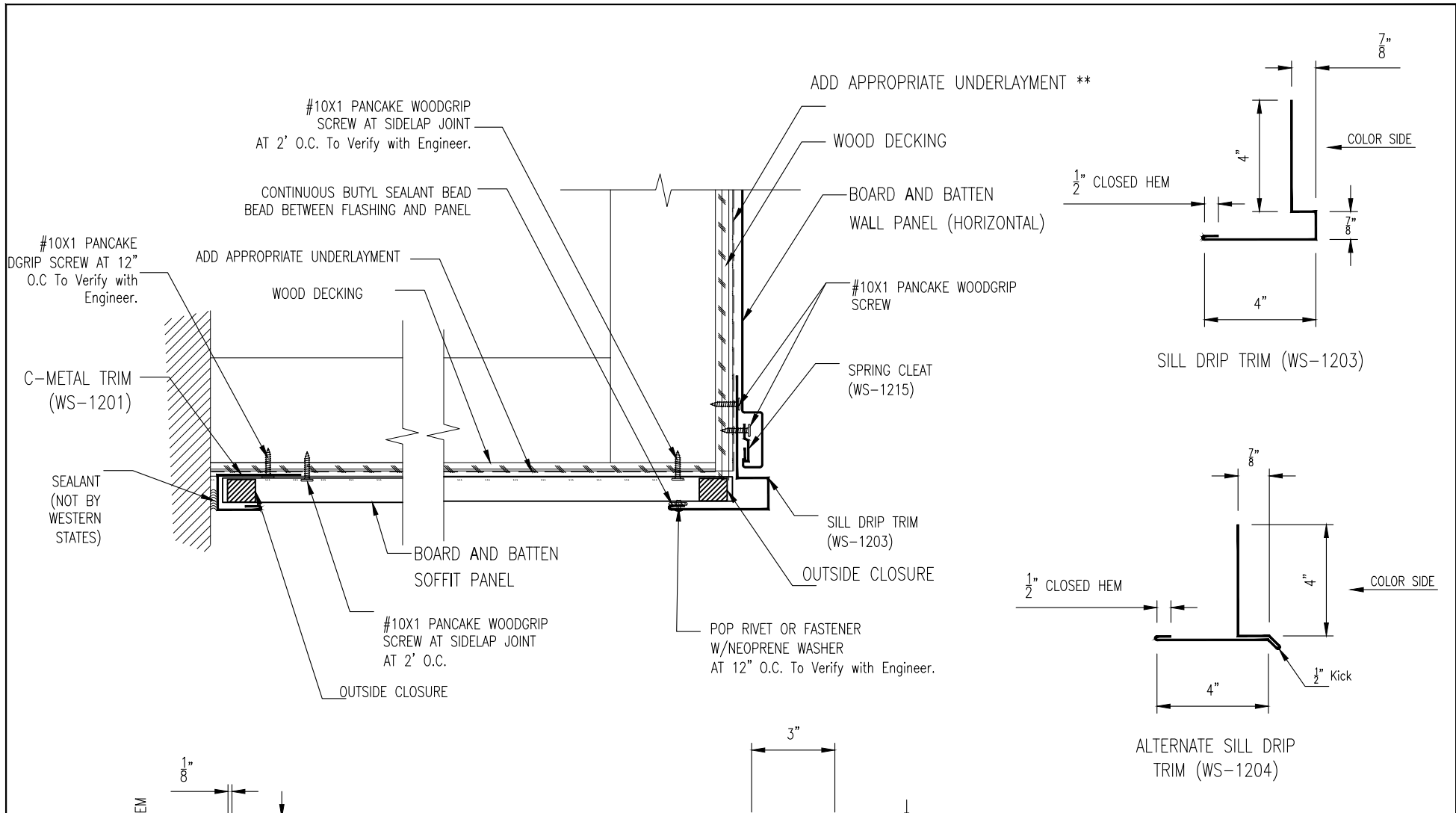
www.westernstatesmetalroofing.com

Phone: (602) 495-0048

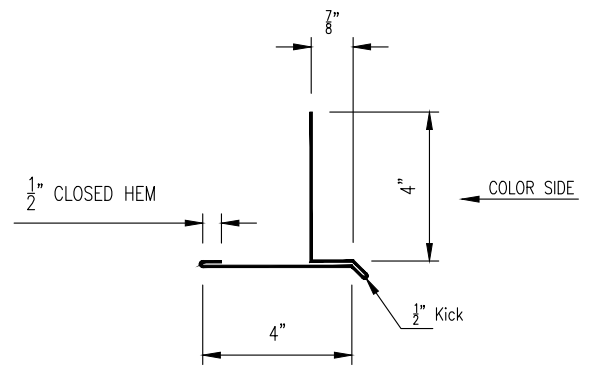
Fax: (602) 261-7726

877-PURLINS (787-5467)

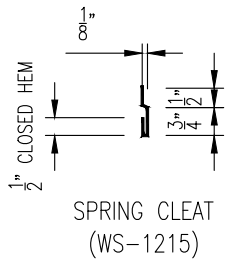




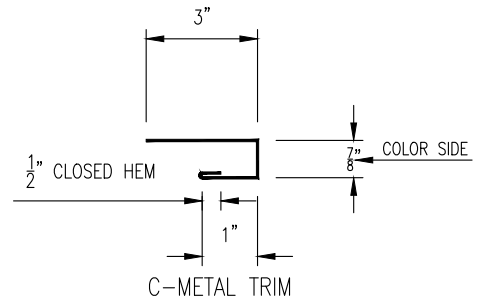
SILL DRIP TRIM (WS-1203)



ALTERNATE SILL DRIP TRIM (WS-1204)



SPRING CLEAT (WS-1215)



C-METAL TRIM

**WSMR RECOMMENDS SHARKSKIN @ ULTRA OR SHARKSKIN @ ULTRASA

GUAGE: _____	COLOR: _____
LENGTH: _____	FINISH: _____
MATERIAL: _____	



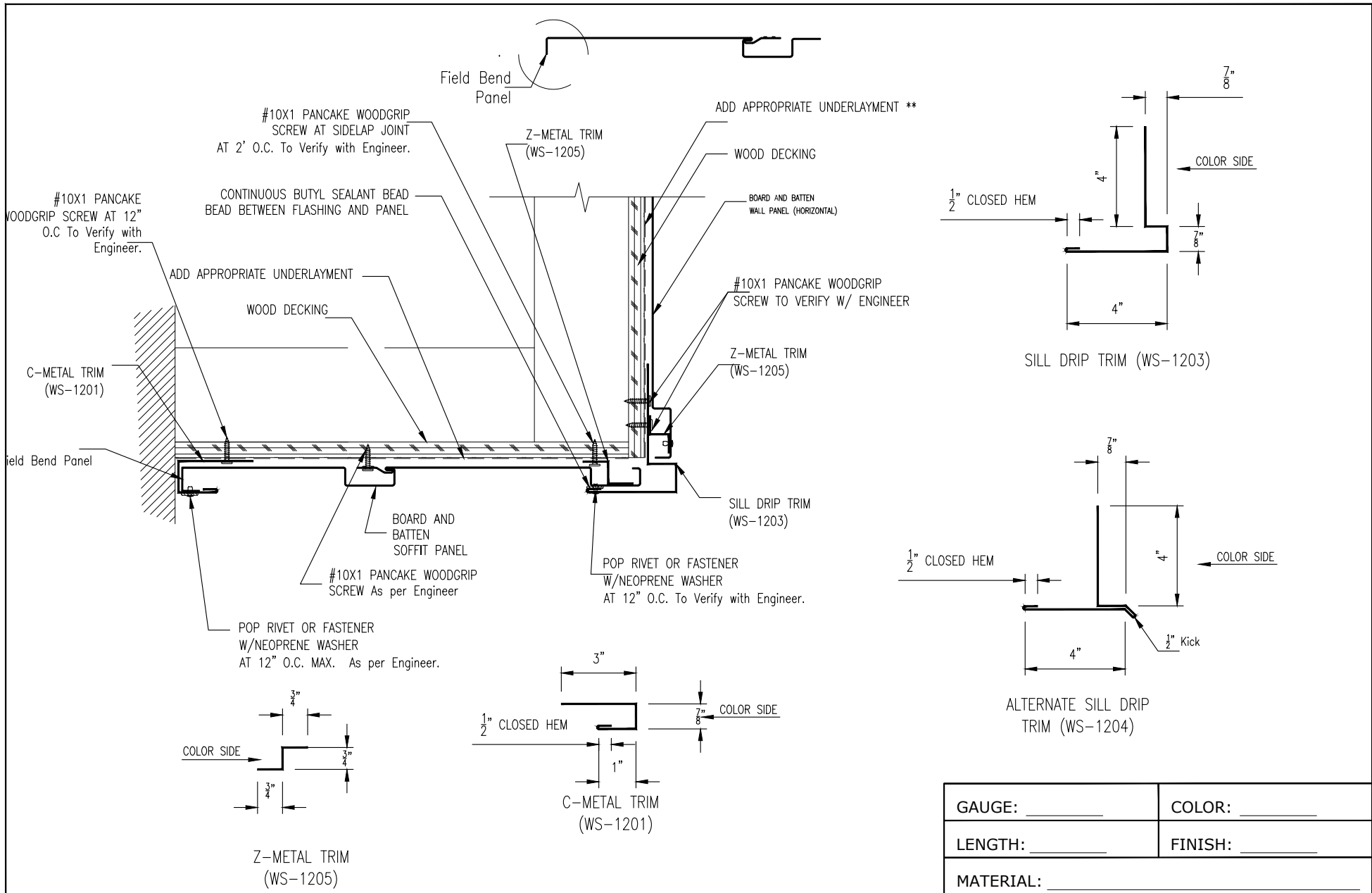
Western States Metal Roofing

901 W. Watkins St.
 Phoenix, AZ 85007
www.westernstatesmetalroofing.com

Phone: (602) 495-0048
 Fax: (602) 261-7726
 877-PURLINS (787-5467)



SOFFIT TO WALL DRIP DETAIL Op 1			
		A	7-18-2023
PANEL TYPE: BOARD AND BATTEN		REV:	DATE:
		DETAIL #: WP-WSD-W5	



GUAGE: _____	COLOR: _____
LENGTH: _____	FINISH: _____
MATERIAL: _____	

SOFFIT TO WALL DRIP DETAIL Op. 2	A	7-18-2023
	REV:	DATE:
PANEL TYPE: BOARD AND BATTEN	DETAIL #: WP-WSD-W6	

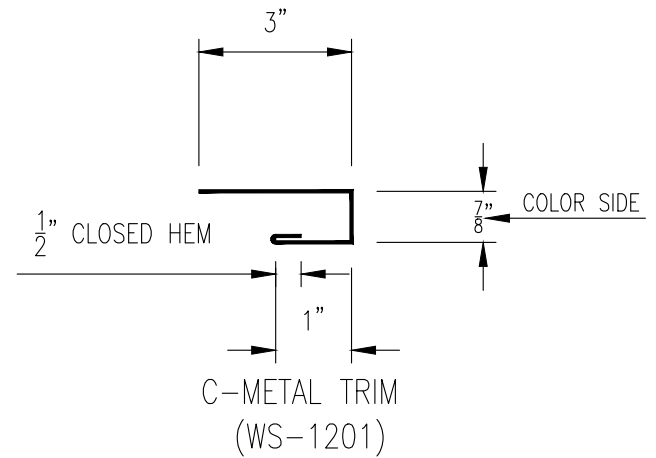
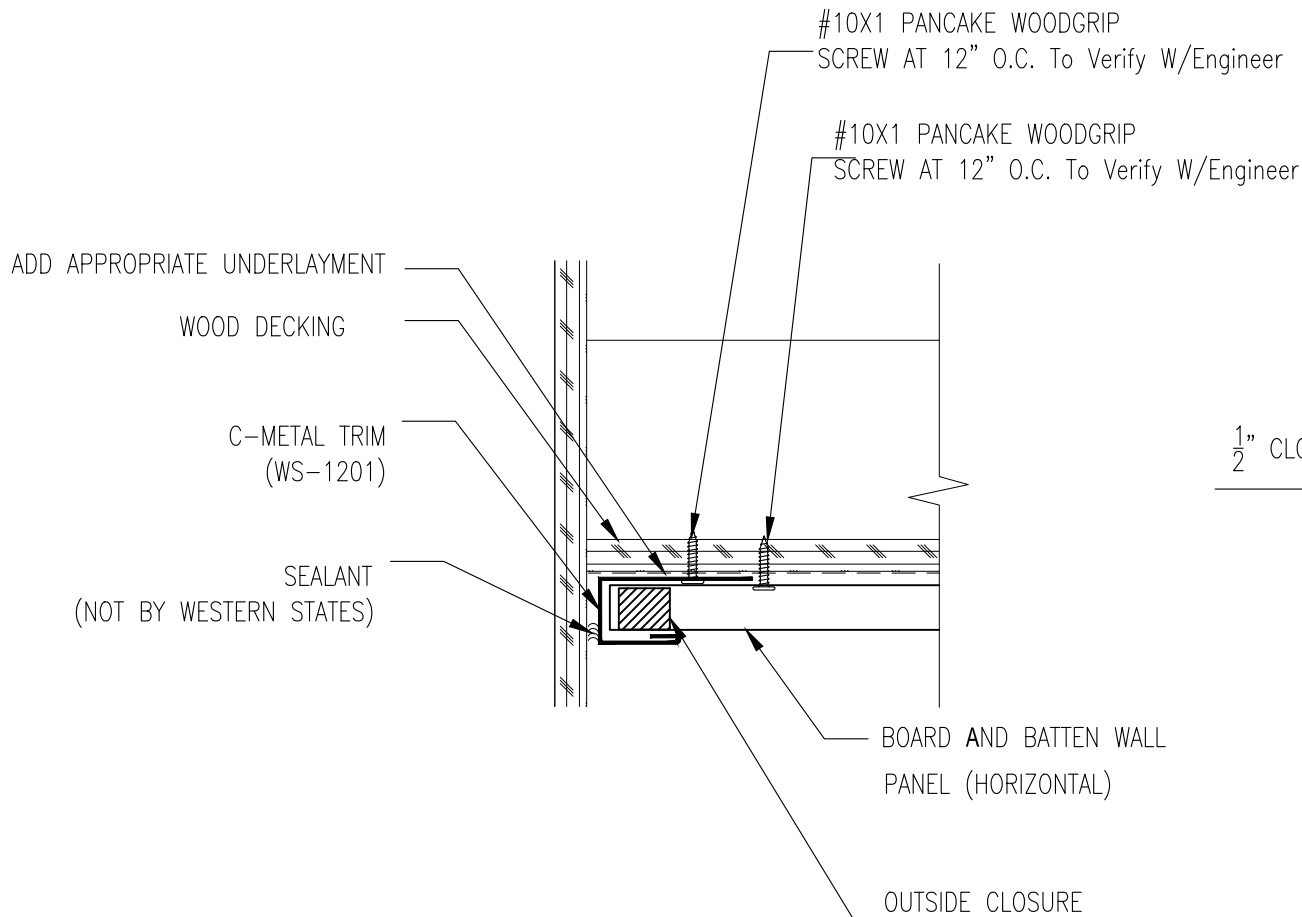


Western States Metal Roofing

901 W. Watkins St.
Phoenix, AZ 85007
www.westernstatesmetalroofing.com

Phone: (602) 495-0048
Fax: (602) 261-7726
877-PURLINS (787-5467)





GUAGE: _____	COLOR: _____
LENGTH: _____	FINISH: _____
MATERIAL: _____	

HORIZONTAL SIDING END WALL DETAIL		
	A	7-18-2023
PANEL TYPE: BOARD AND BATTEN	REV:	DATE:
	DETAIL #: WP-WSD-W7	

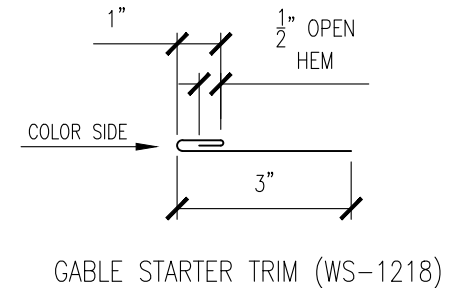
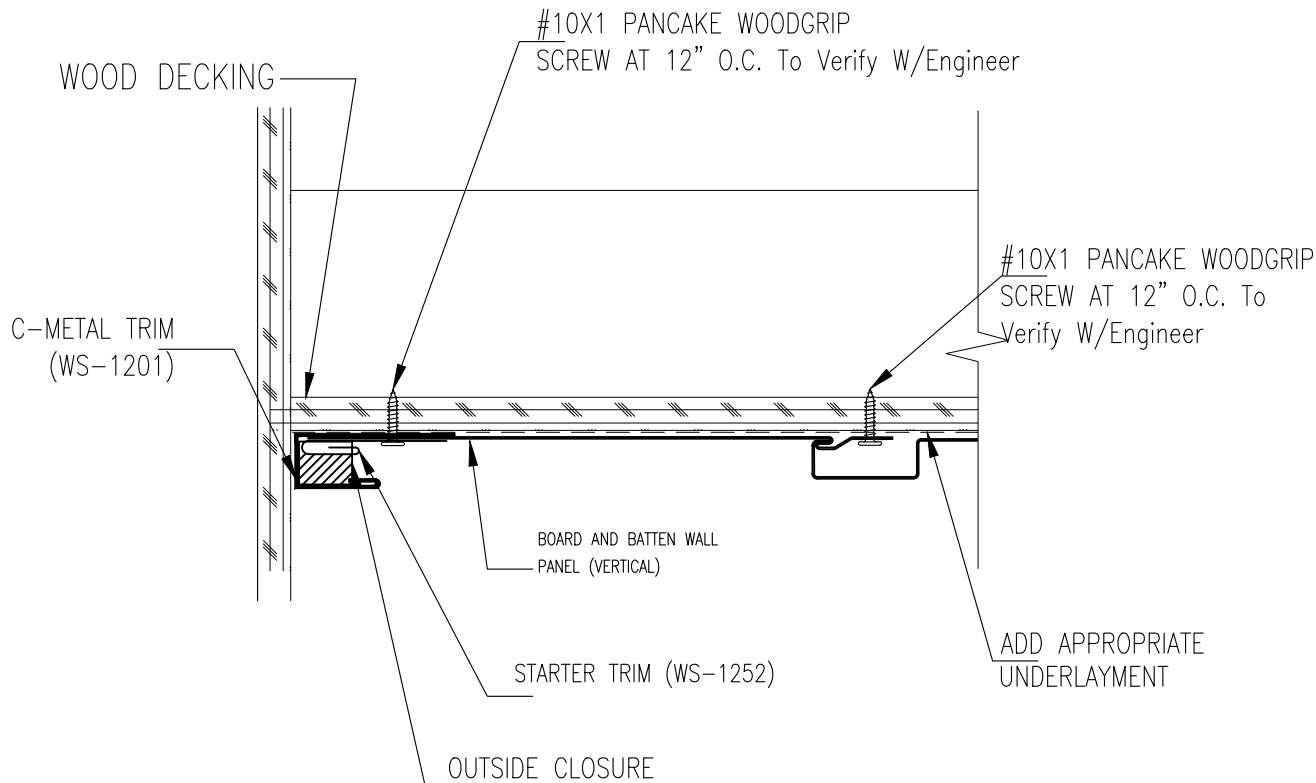
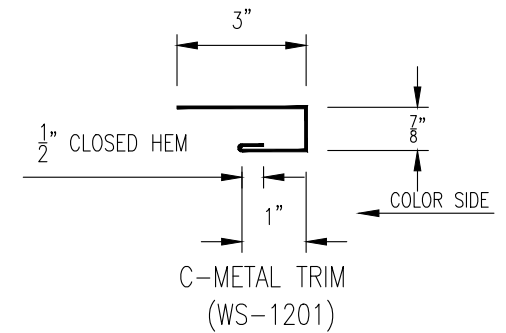
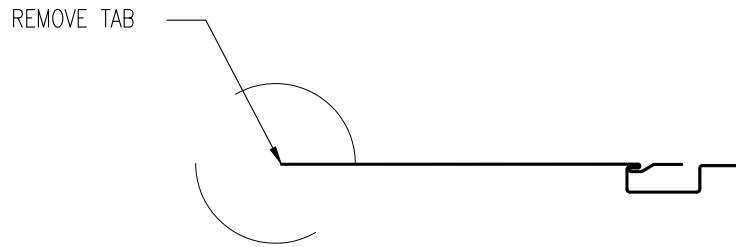


Western States Metal Roofing

901 W. Watkins St.
Phoenix, AZ 85007
www.westernstatesmetalroofing.com

Phone: (602) 495-0048
Fax: (602) 261-7726
877-PURLINS (787-5467)





GAUGE: _____	COLOR: _____
LENGTH: _____	FINISH: _____
MATERIAL: _____	

VERTICAL SIDING END WALL DETAIL OP 1		
	A	7-18-2023
PANEL TYPE: BOARD AND BATTEN	REV:	DATE:
	DETAIL #: WP-WSD-W8	



Western States Metal Roofing

901 W. Watkins St.
Phoenix, AZ 85007

www.westernstatesmetalroofing.com

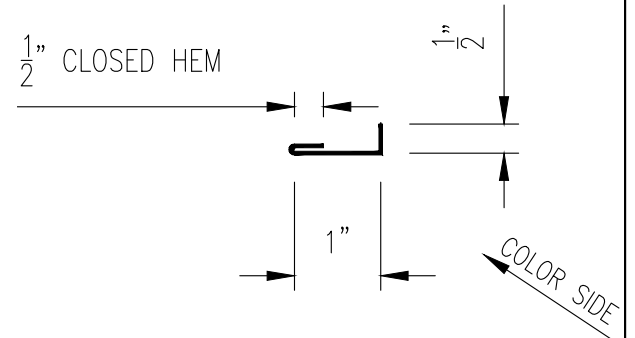
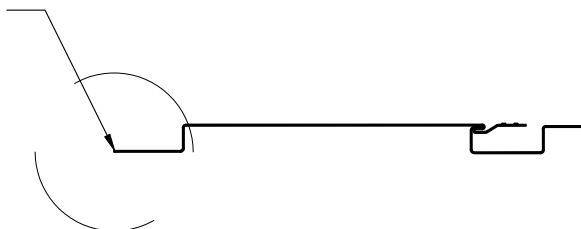
Phone: (602) 495-0048

Fax: (602) 261-7726

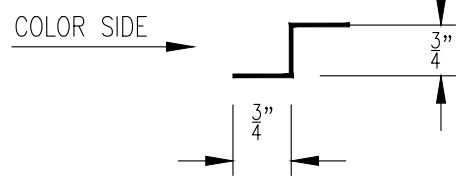
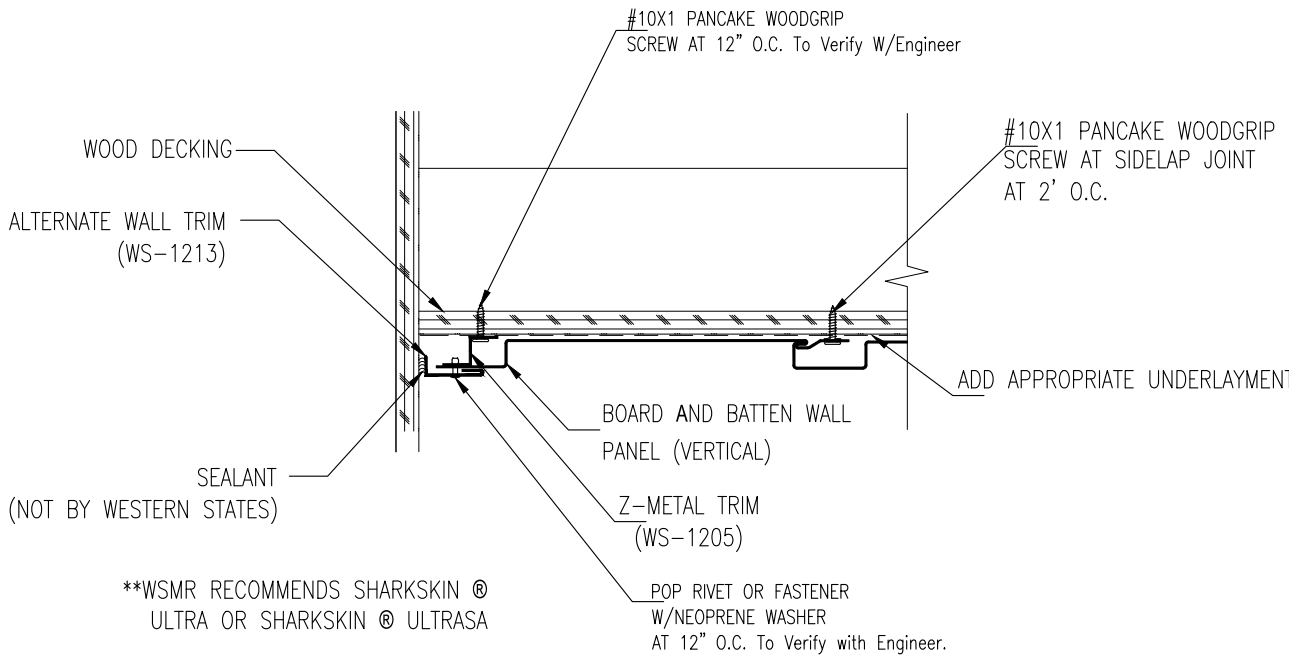
877-PURLINS (787-5467)



REMOVE TAB



ALTERNATE WALL TRIM (WS-1213)



Z-METAL TRIM (WS-1205)

**WSMR RECOMMENDS SHARKSKIN ® ULTRA OR SHARKSKIN ® ULTRASA

GAUGE: _____	COLOR: _____
LENGTH: _____	FINISH: _____
MATERIAL: _____	



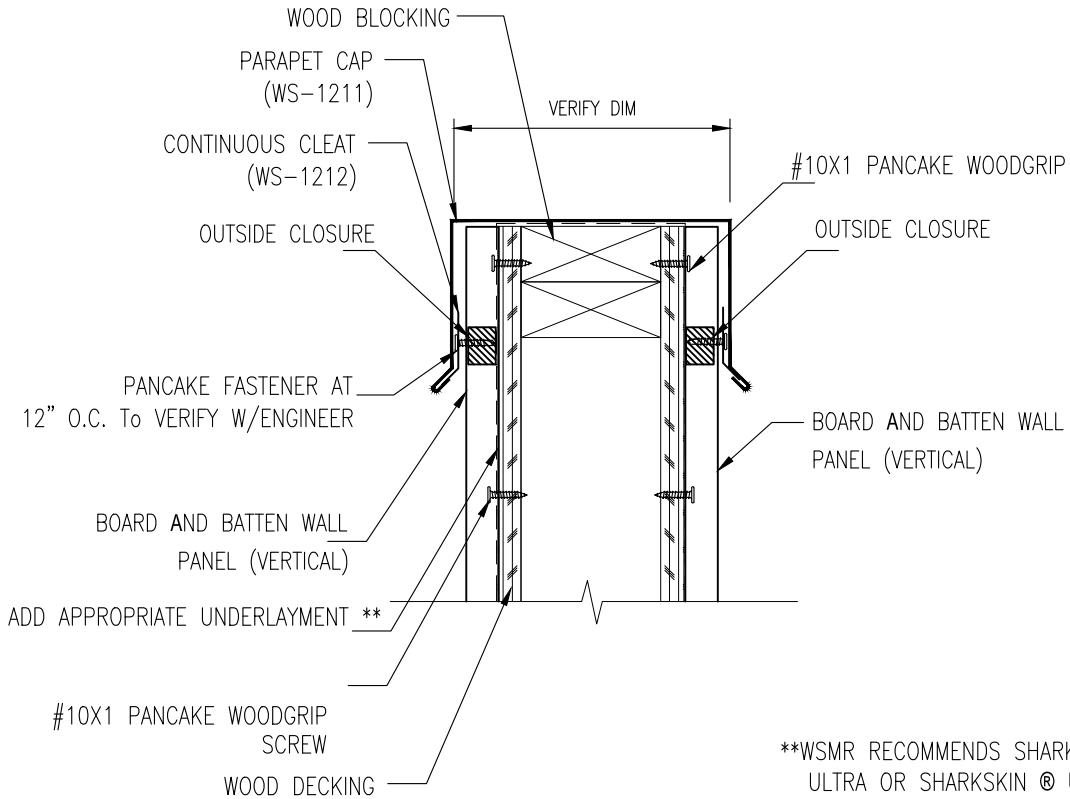
Western States Metal Roofing

901 W. Watkins St.
Phoenix, AZ 85007
www.westernstatesmetalroofing.com

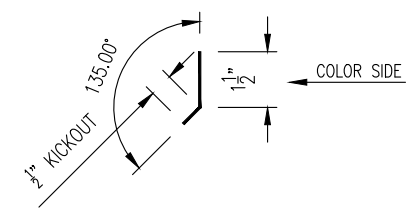
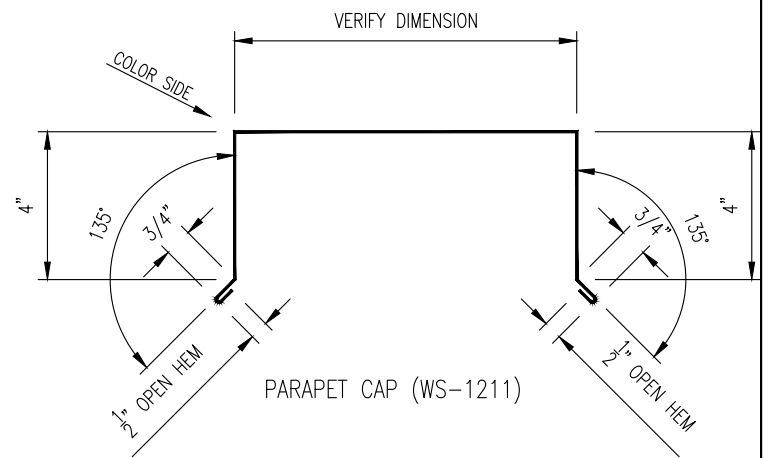
Phone: (602) 495-0048
Fax: (602) 261-7726
877-PURLINS (787-5467)



VERTICAL SIDING END WALL DETAIL OP 2		
	A	7-18-2023
PANEL TYPE: BOARD AND BATTEN	REV:	DATE:
	DETAIL #: WP-WSD-W9	



**WSMR RECOMMENDS SHARKSKIN @ ULTRA OR SHARKSKIN @ ULTRASA



CONTINUOUS CLEAT (WS-1212)

GAUGE: _____	COLOR: _____
LENGTH: _____	FINISH: _____
MATERIAL: _____	



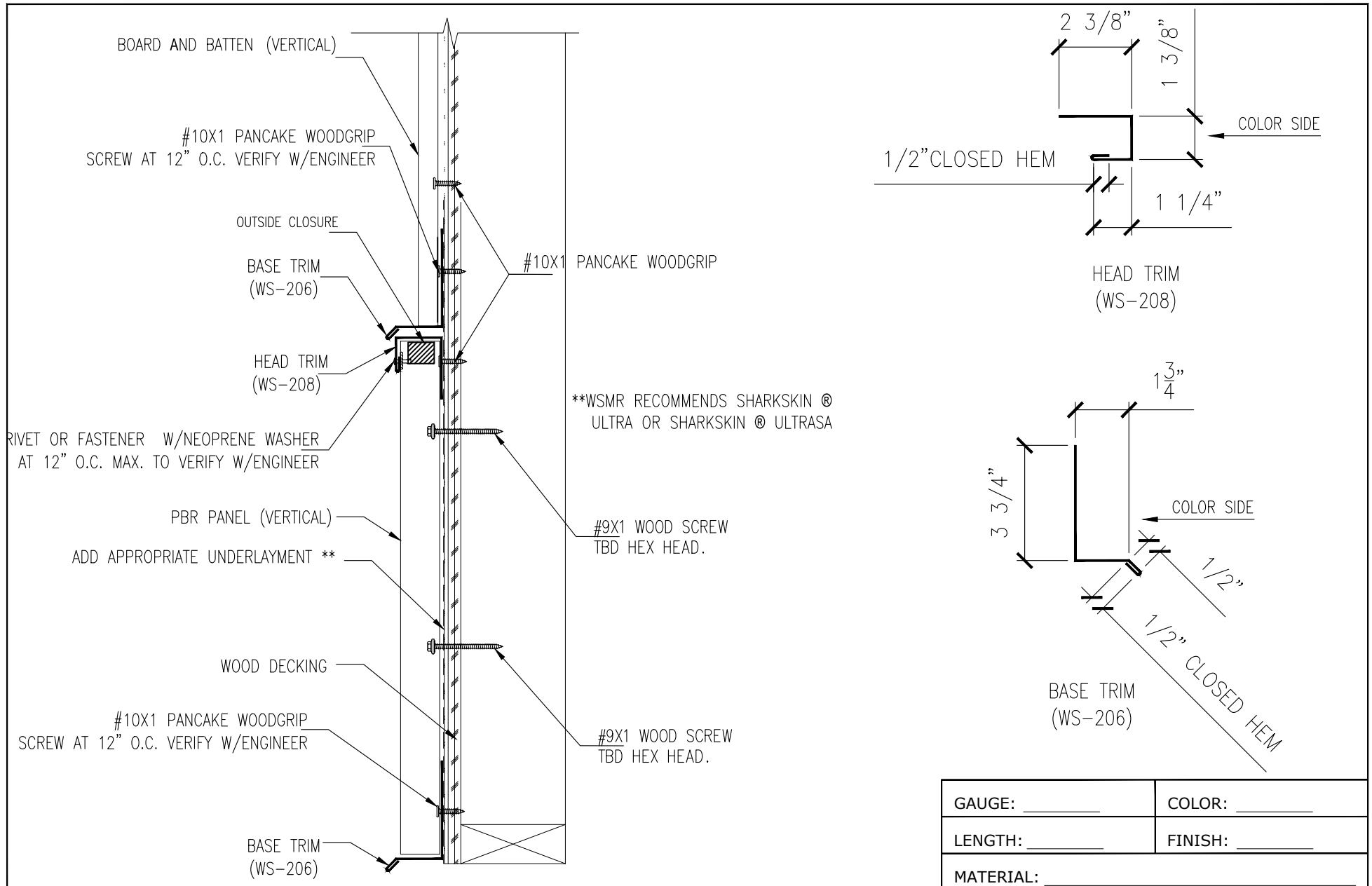
Western States Metal Roofing

901 W. Watkins St.
 Phoenix, AZ 85007
www.westernstatesmetalroofing.com

Phone: (602) 495-0048
 Fax: (602) 261-7726
 877-PURLINS (787-5467)



PARAPET WALL DETAIL		
	A	7-18-2023
PANEL TYPE: BOARD AND BATTEN	REV:	DATE:
	DETAIL #: WP-WSD-W10	



GAUGE: _____	COLOR: _____						
LENGTH: _____	FINISH: _____						
MATERIAL: _____							
ALTERNATE WAINSCOT TRANSITION DETAIL (BB-12 TO R-PANEL) VERTICAL							
PANEL TYPE: BOARD AND BATTEN	<table border="1"> <tr> <td>A</td> <td>7-18-2023</td> </tr> <tr> <td>REV:</td> <td>DATE:</td> </tr> <tr> <td colspan="2">DETAIL #: WP-WSD-W11</td> </tr> </table>	A	7-18-2023	REV:	DATE:	DETAIL #: WP-WSD-W11	
A	7-18-2023						
REV:	DATE:						
DETAIL #: WP-WSD-W11							

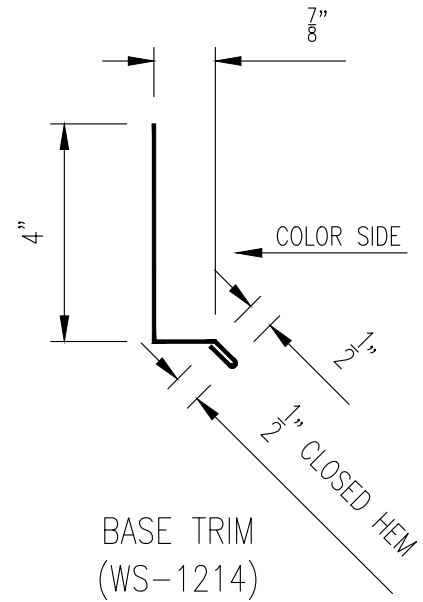
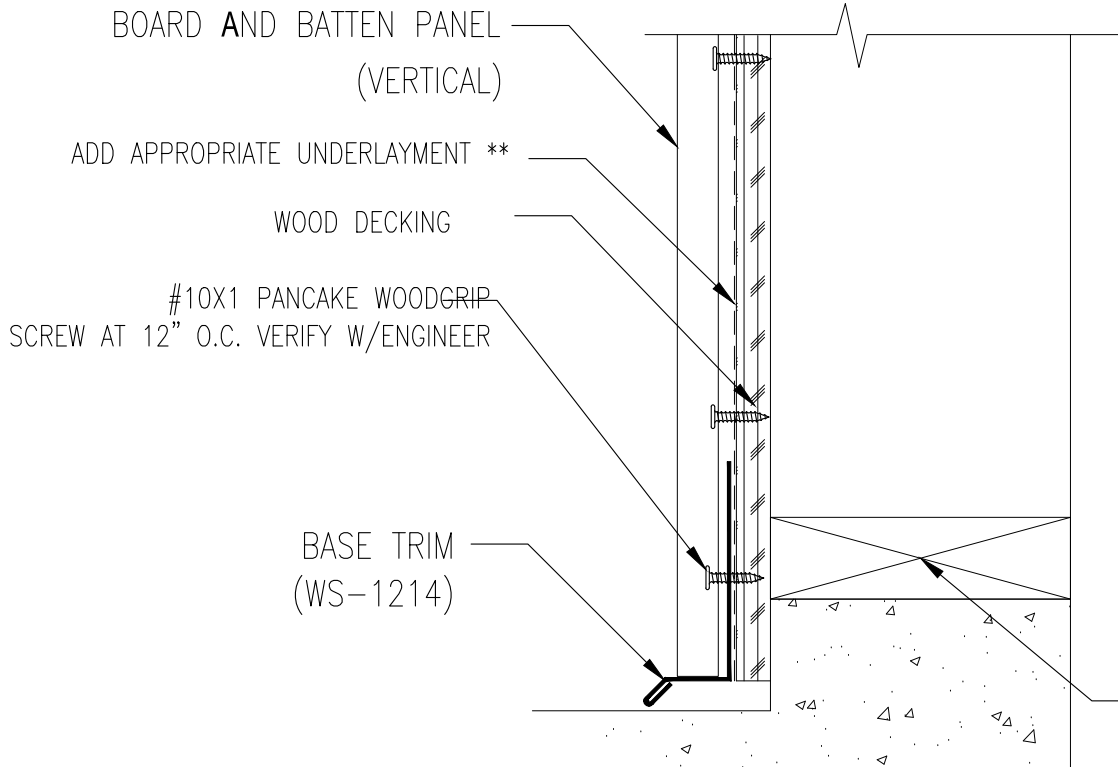


Western States Metal Roofing

901 W. Watkins St.
Phoenix, AZ 85007
www.westernstatesmetalroofing.com

Phone: (602) 495-0048
Fax: (602) 261-7726
877-PURLINS (787-5467)





**WSMR RECOMMENDS SHARKSKIN ®
ULTRA OR SHARKSKIN ® ULTRASA

GAUGE: _____	COLOR: _____
LENGTH: _____	FINISH: _____
MATERIAL: _____	

BASE DETAIL VERTICAL		
	A	7-18-2023
PANEL TYPE: BOARD AND BATTEN	REV:	DATE:
	DETAIL #: WP-WSD-W12	



Western States Metal Roofing

901 W. Watkins St.
Phoenix, AZ 85007

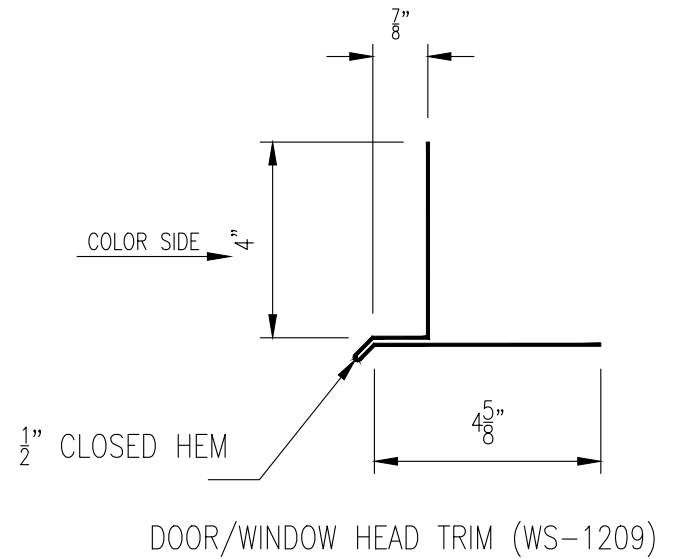
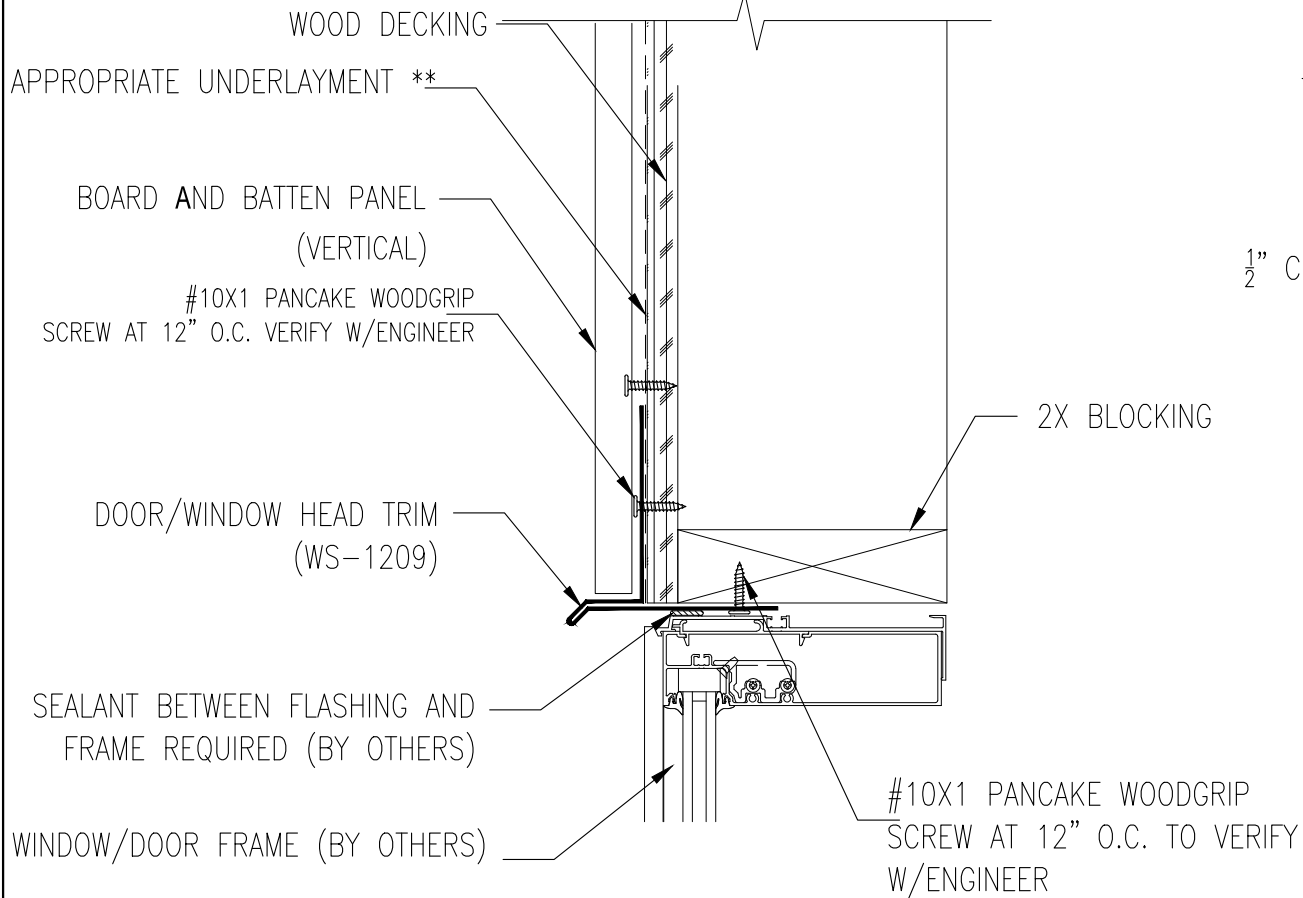
www.westernstatesmetalroofing.com

Phone: (602) 495-0048

Fax: (602) 261-7726

877-PURLINS (787-5467)





**WSMR RECOMMENDS SHARKSKIN ® ULTRA OR SHARKSKIN ® ULTRASA

GAUGE: _____	COLOR: _____
LENGTH: _____	FINISH: _____
MATERIAL: _____	

DOOR / WINDOW HEAD DETAIL VERTICAL		
	A	7-18-2023
PANEL TYPE: BOARD AND BATTEN	REV:	DATE:
	DETAIL #: WP-WSD-W13	

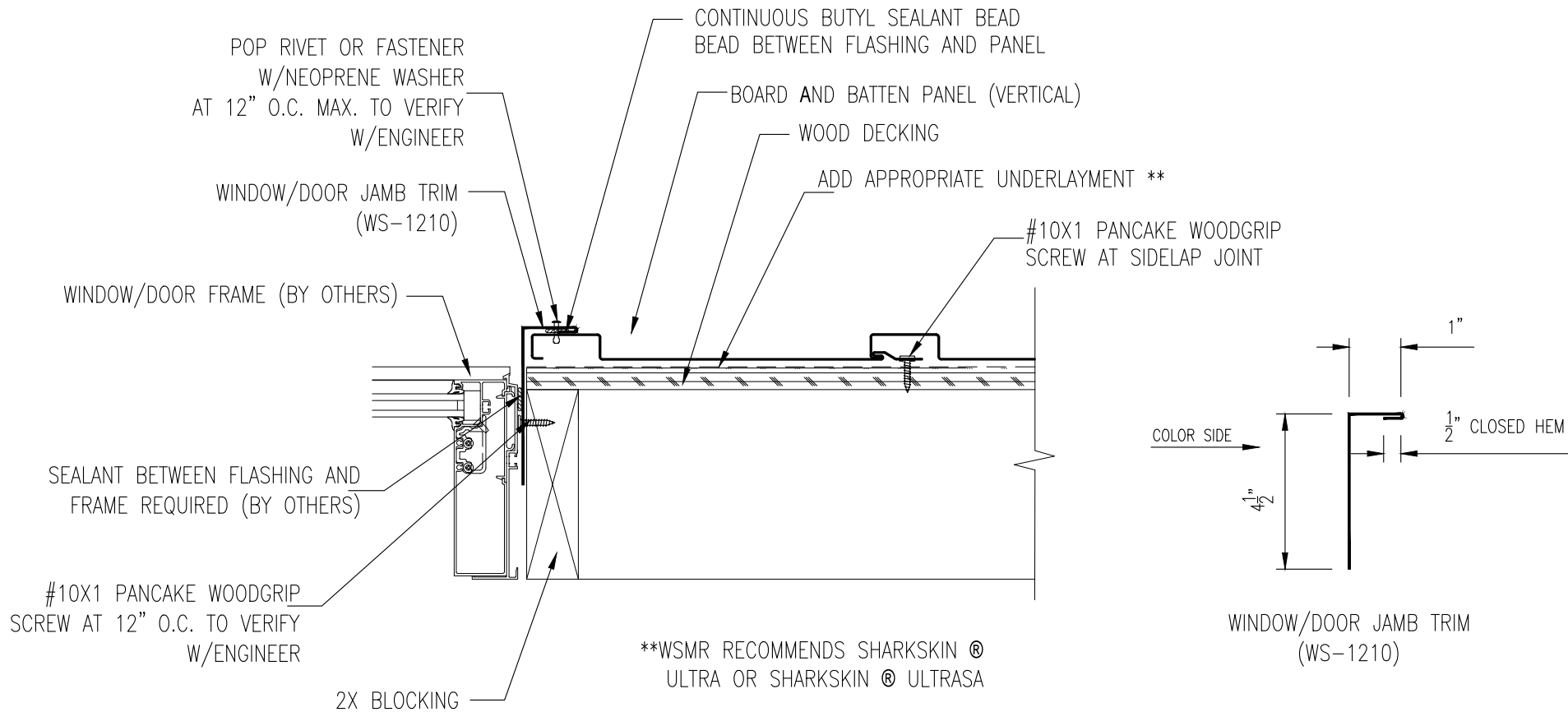


Western States Metal Roofing

901 W. Watkins St.
Phoenix, AZ 85007
www.westernstatesmetalroofing.com

Phone: (602) 495-0048
Fax: (602) 261-7726
877-PURLINS (787-5467)





GUAGE: _____	COLOR: _____
LENGTH: _____	FINISH: _____
MATERIAL: _____	

WINDOW / DOOR JAMB DETAIL OP 1		
	A	7-18-2023
PANEL TYPE: BOARD AND BATTEN	REV:	DATE:
	DETAIL #: WP-WSD-W14	

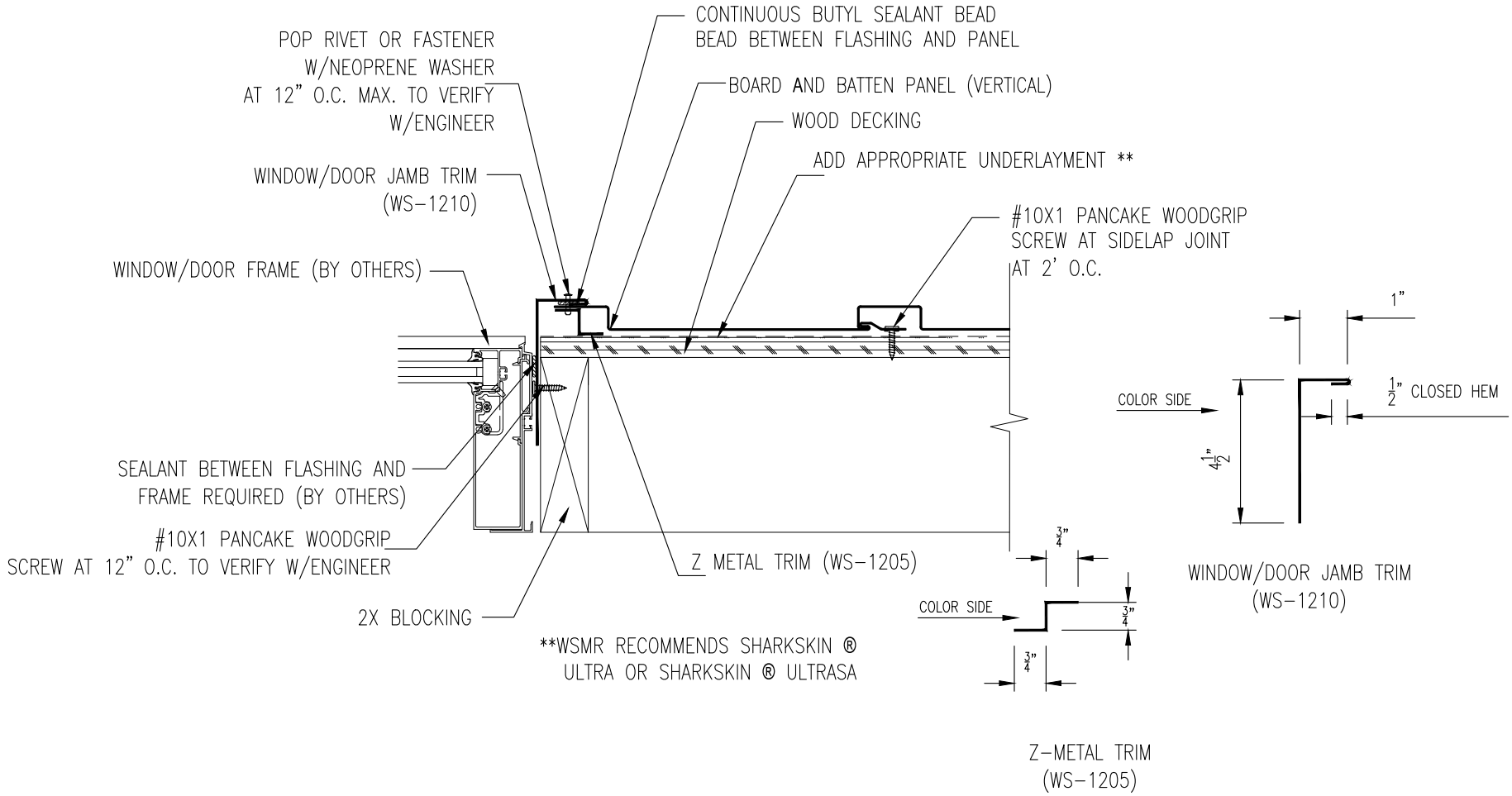


Western States Metal Roofing

901 W. Watkins St.
Phoenix, AZ 85007
www.westernstatesmetalroofing.com

Phone: (602) 495-0048
Fax: (602) 261-7726
877-PURLINS (787-5467)





GAUGE: _____	COLOR: _____
LENGTH: _____	FINISH: _____
MATERIAL: _____	



Western States Metal Roofing

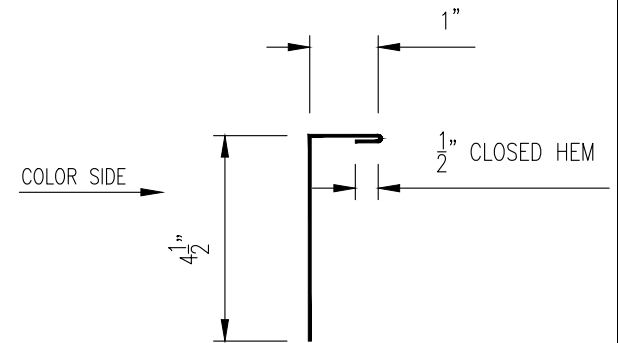
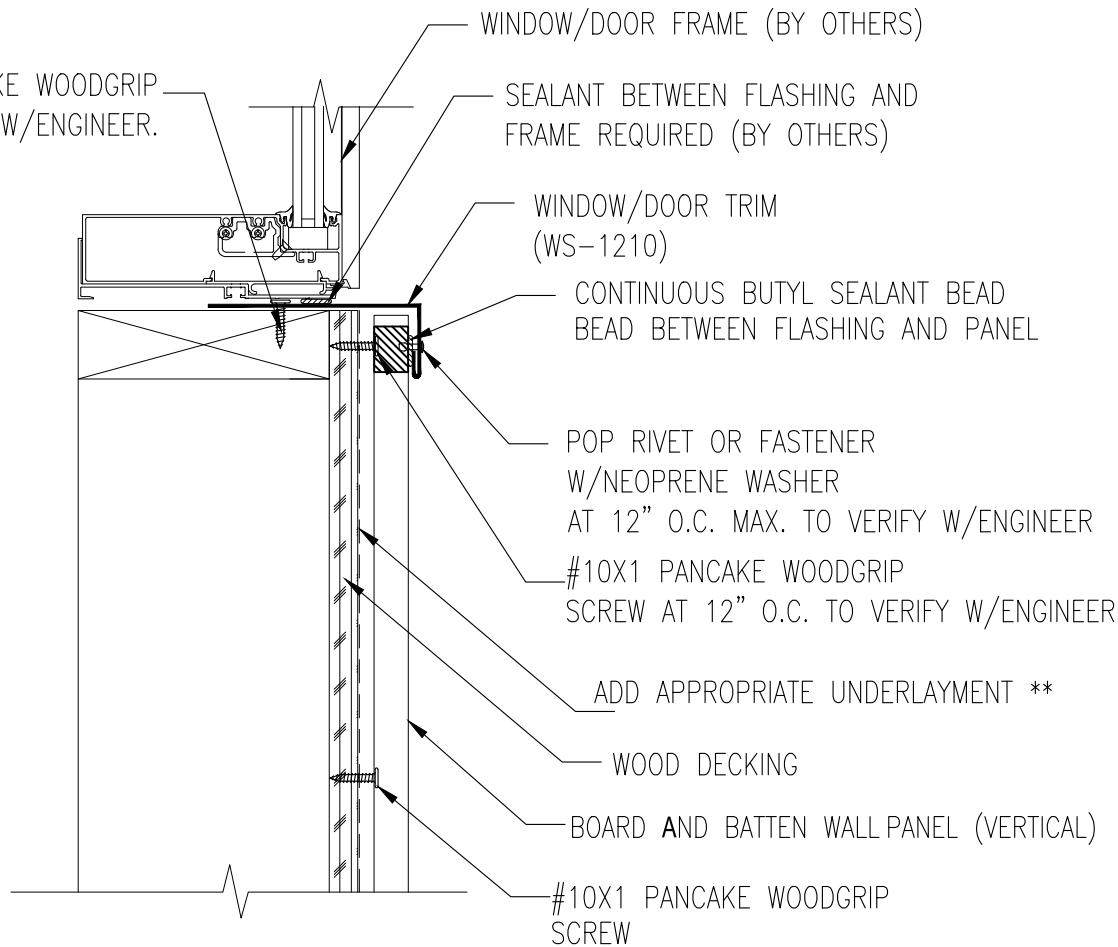
901 W. Watkins St.
 Phoenix, AZ 85007
www.westernstatesmetalroofing.com

Phone: (602) 495-0048
 Fax: (602) 261-7726
 877-PURLINS (787-5467)



WINDOW / DOOR JAMB DETAIL OP 2		
	A	7-18-2023
PANEL TYPE: BOARD AND BATTEN	REV:	DATE:
	DETAIL #: WP-WSD-W15	

#10X1 PANCAKE WOODGRIP
O.C. TO VERIFY W/ENGINEER.



WINDOW/DOOR TRIM (WS-1210)

**WSMR RECOMMENDS SHARKSKIN ® ULTRA OR SHARKSKIN ® ULTRASA

GAUGE: _____	COLOR: _____
LENGTH: _____	FINISH: _____
MATERIAL: _____	

DOOR / WINDOW SILL DETAIL VERTICAL		
	A	7-18-2023
PANEL TYPE: BOARD AND BATTEN	REV:	DATE:
	DETAIL #: WP-WSD-W16	



Western States Metal Roofing

901 W. Watkins St.
Phoenix, AZ 85007

www.westernstatesmetalroofing.com

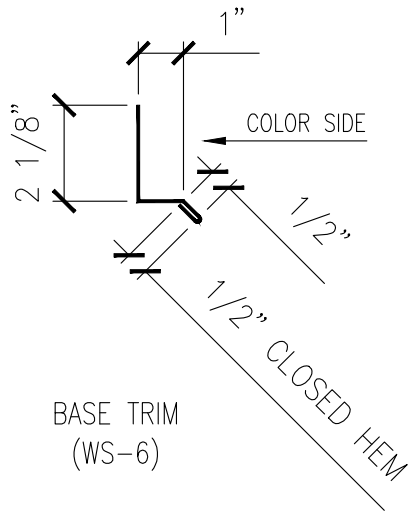
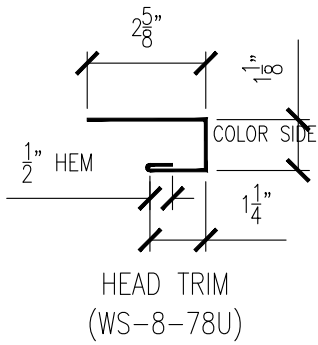
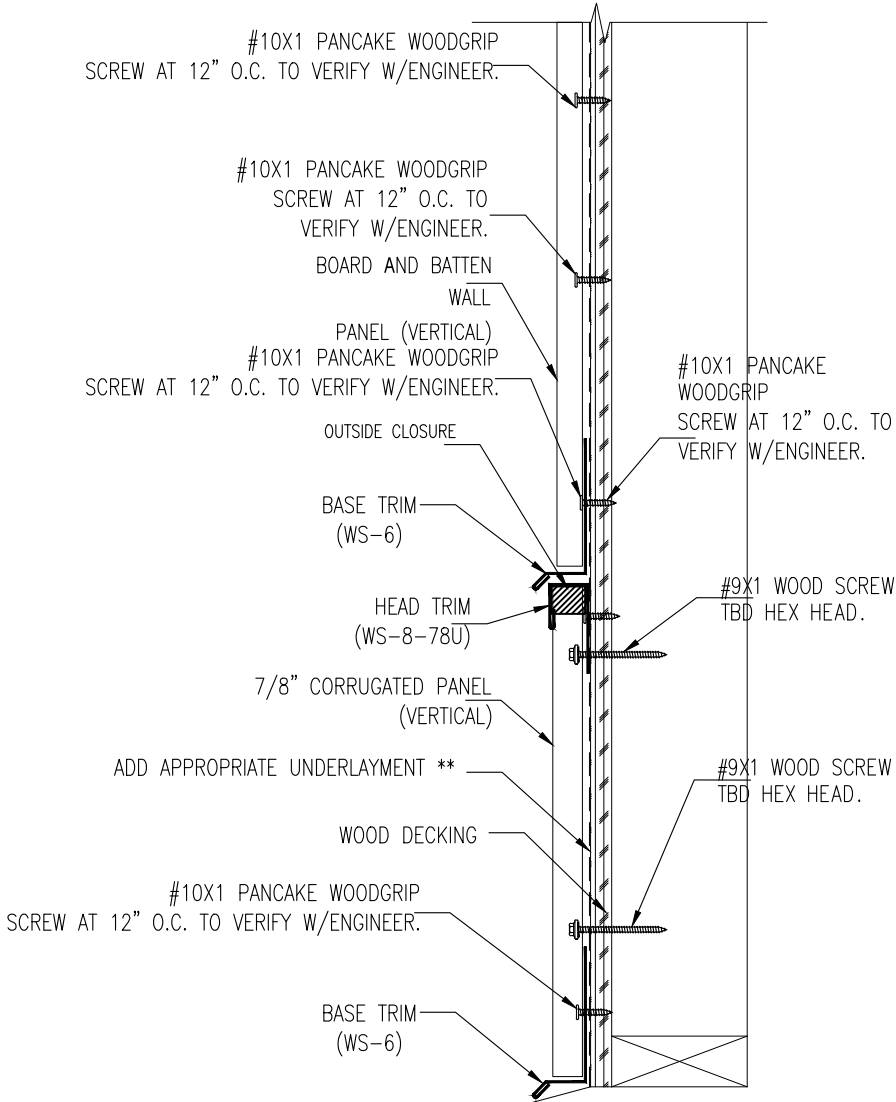
Phone: (602) 495-0048

Fax: (602) 261-7726

877-PURLINS (787-5467)



**WSMR RECOMMENDS SHARKSKIN ®
ULTRA OR SHARKSKIN ® ULTRASA



GUAGE: _____	COLOR: _____
LENGTH: _____	FINISH: _____
MATERIAL: _____	

ALTERNATE WAINSCOT VERTICAL TRANSITION DETAIL (BOARD AND BATTEN TO 7/8" CORRUGATED PANEL)		
	A	7-18-2023
PANEL TYPE: BOARD AND BATTEN	REV:	DATE:
	DETAIL #: WP-WSD-W17	

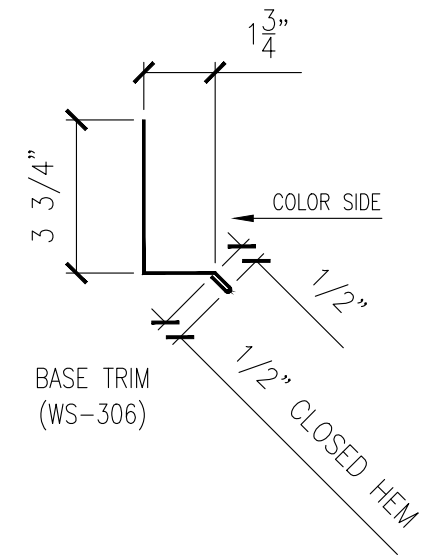
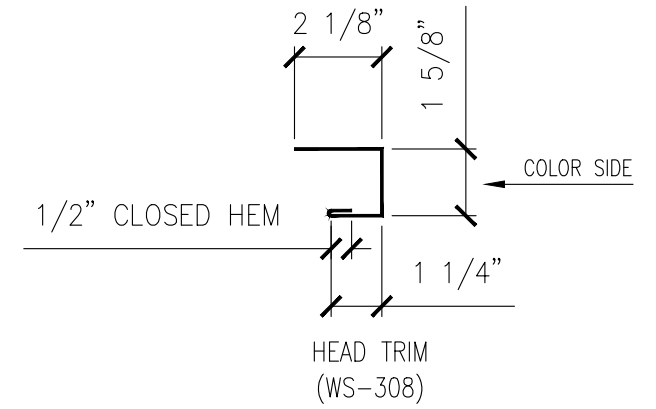
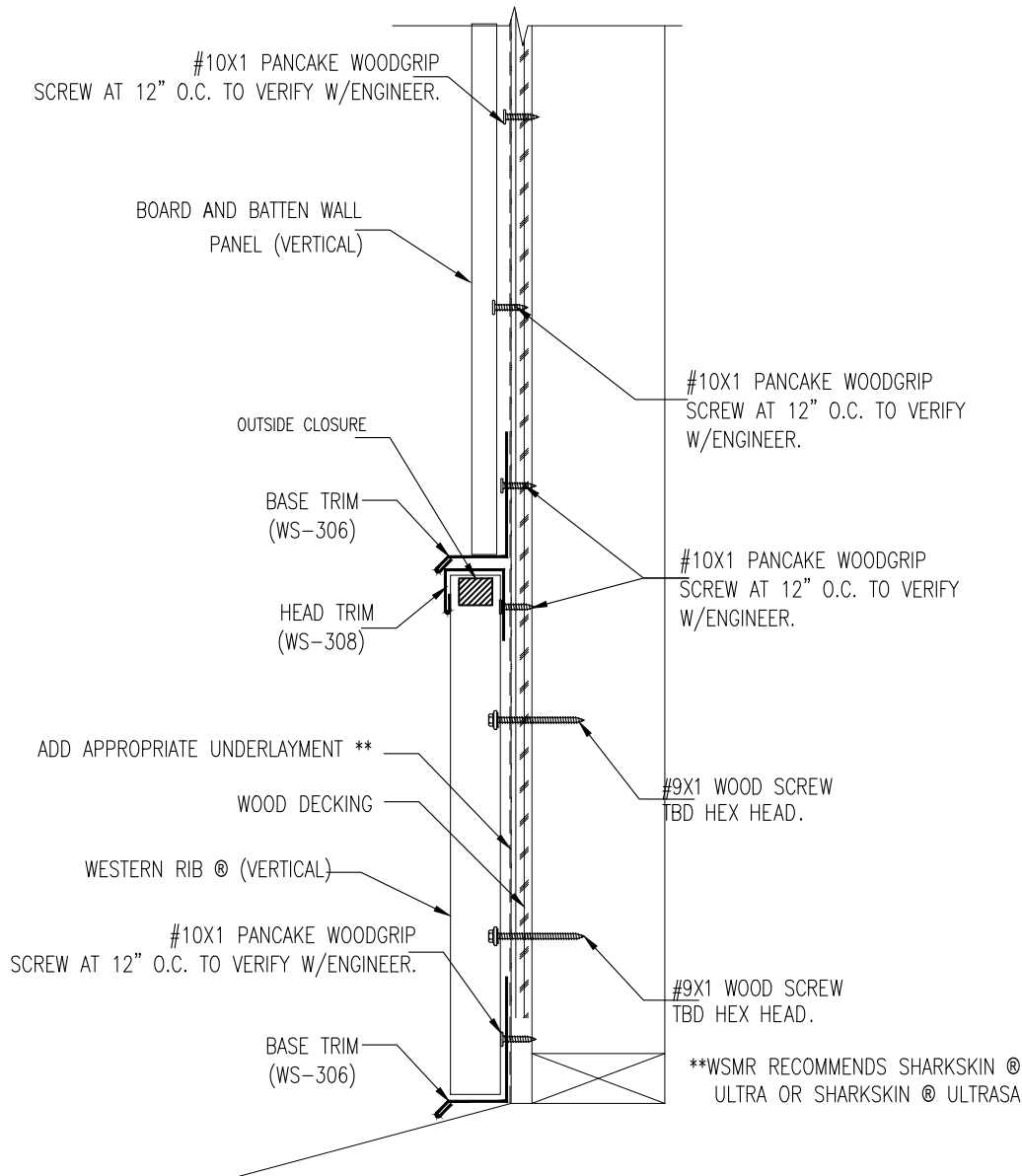


Western States Metal Roofing

901 W. Watkins St.
Phoenix, AZ 85007
www.westernstatesmetalroofing.com

Phone: (602) 495-0048
Fax: (602) 261-7726
877-PURLINS (787-5467)





GUAGE: _____	COLOR: _____
LENGTH: _____	FINISH: _____
MATERIAL: _____	



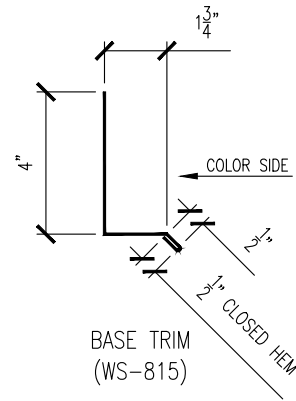
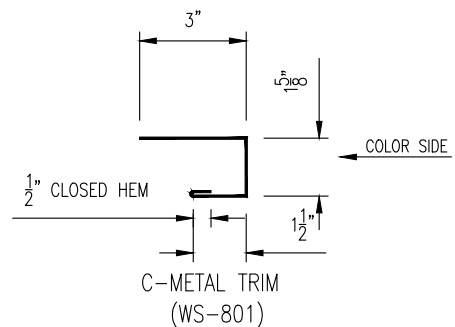
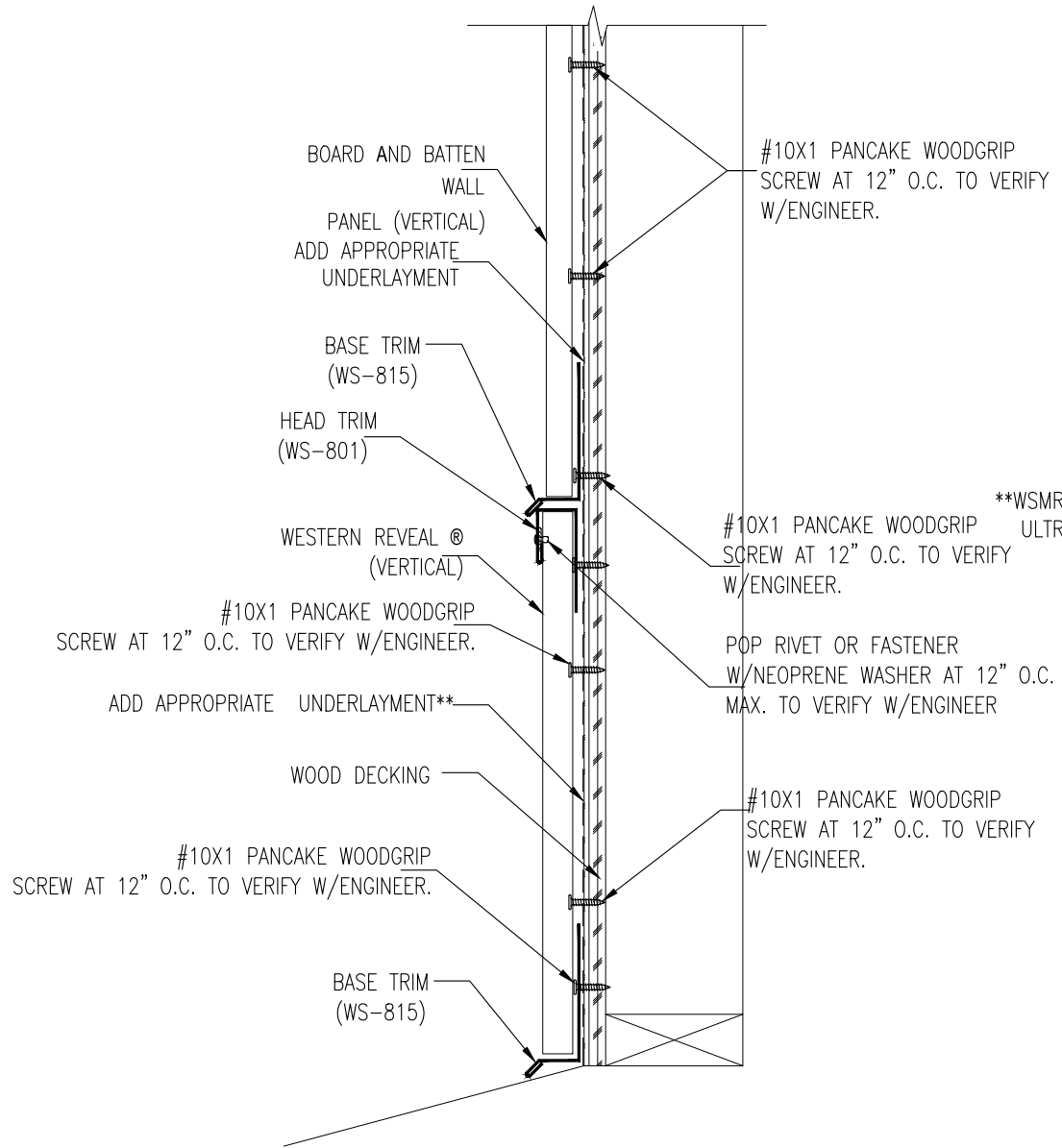
Western States Metal Roofing

901 W. Watkins St.
 Phoenix, AZ 85007
www.westernstatesmetalroofing.com

Phone: (602) 495-0048
 Fax: (602) 261-7726
 877-PURLINS (787-5467)



ALTERNATE WAINSCOT TRANSITION DETAIL (BOARD AND BATTEN TO WESTERN RIB)		
PANEL TYPE: BOARD AND BATTEN	A	7-18-2023
	REV:	DATE:
	DETAIL #: WP-WSD-W18	



GUAGE: _____	COLOR: _____
LENGTH: _____	FINISH: _____
MATERIAL: _____	

WAINSCOAT TRANSITION DETAIL VERTICAL			
(BOARD AND BATTEN TO WESTERN REVEAL @ VERTICAL)		A	7-18-2023
REVISIONS		REV:	DATE:
PANEL TYPE: BOARD AND BATTEN		DETAIL #: WP-WSD-W19	

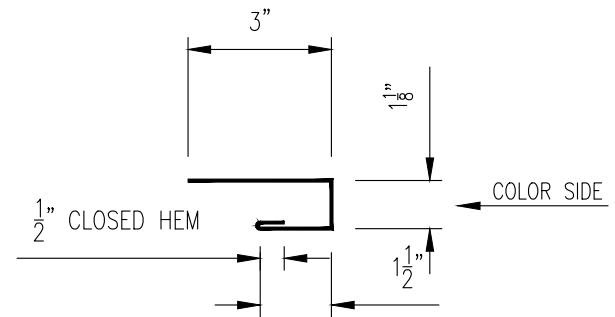
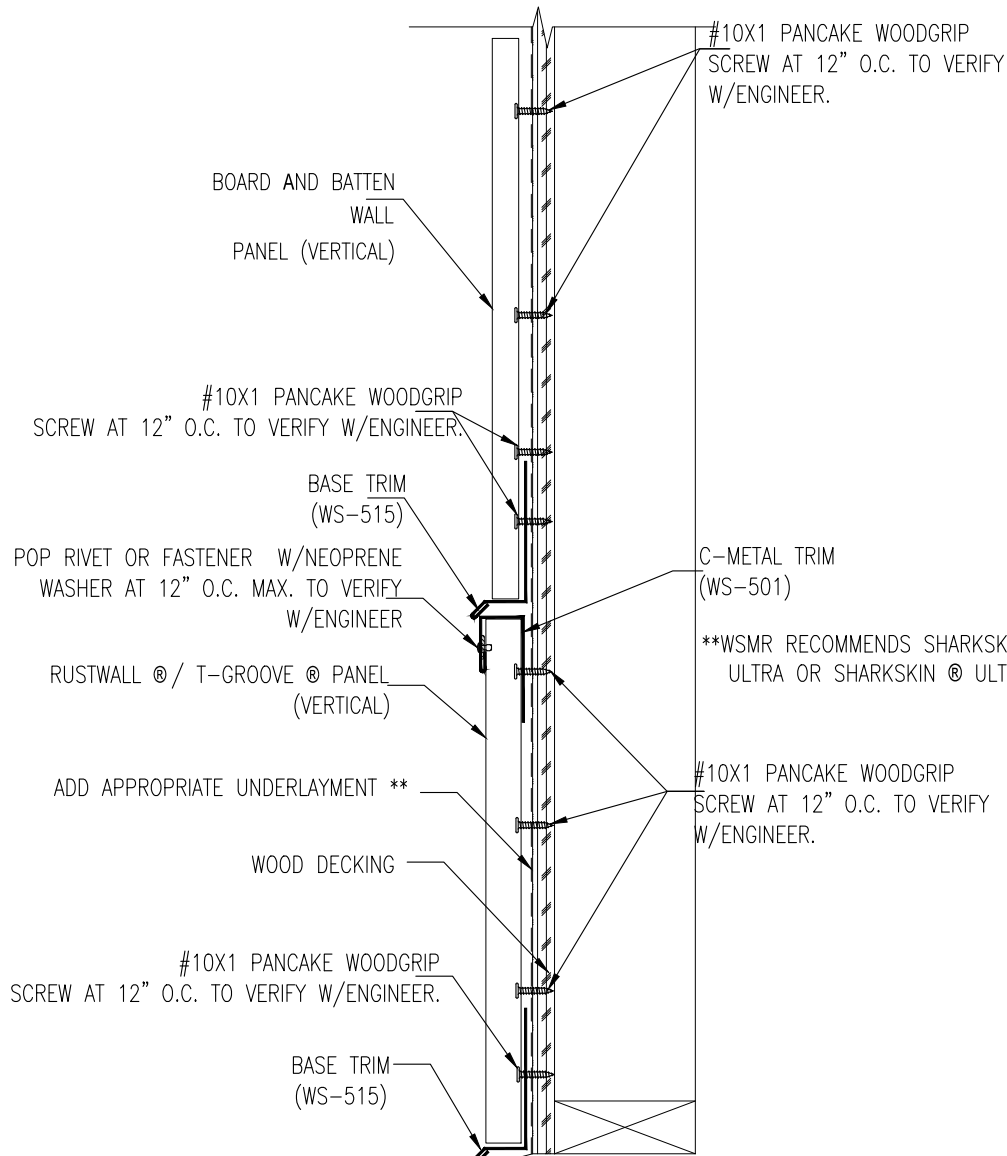


Western States Metal Roofing

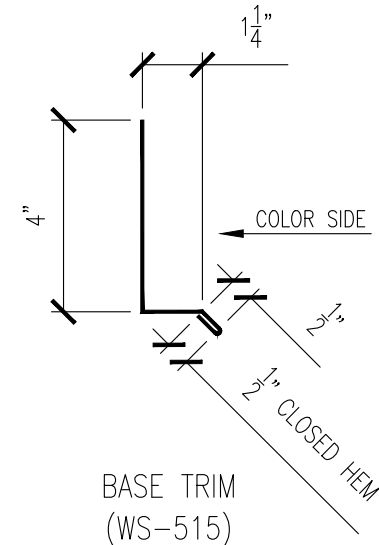
901 W. Watkins St.
Phoenix, AZ 85007
www.westernstatesmetalroofing.com

Phone: (602) 495-0048
Fax: (602) 261-7726
877-PURLINS (787-5467)





C-METAL TRIM (WS-501)



BASE TRIM (WS-515)

GUAGE: _____	COLOR: _____
LENGTH: _____	FINISH: _____
MATERIAL: _____	

WAINSCOAT TRANSITION DETAIL VERTICAL (BOARD AND BATTEN TO RUSTWALL @)		
	A	7-18-2023
PANEL TYPE: BOARD AND BATTEN	REV:	DATE:
	DETAIL #: WP-WSD-W20	

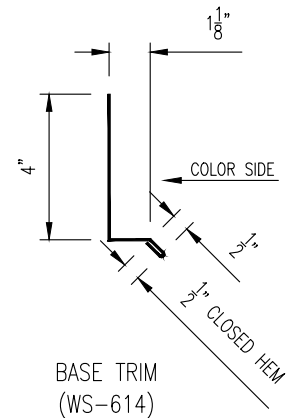
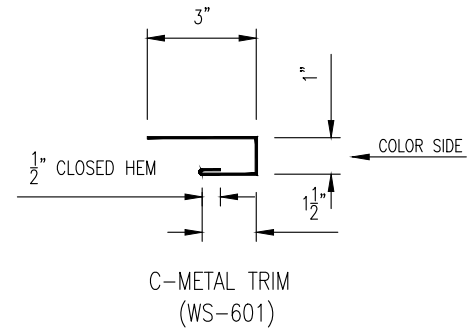
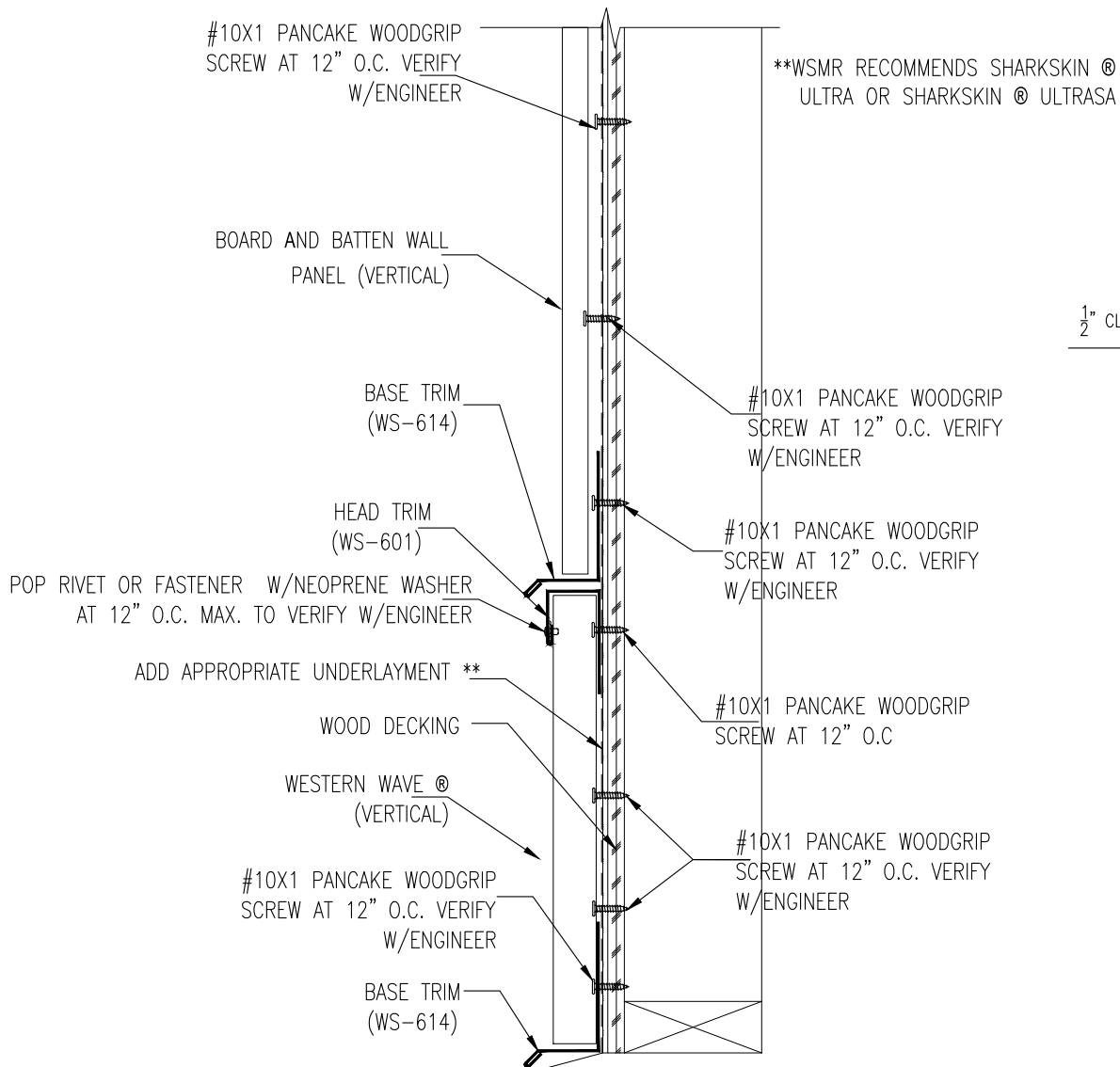


Western States Metal Roofing

901 W. Watkins St.
Phoenix, AZ 85007
www.westernstatesmetalroofing.com

Phone: (602) 495-0048
Fax: (602) 261-7726
877-PURLINS (787-5467)





GUAGE: _____	COLOR: _____
LENGTH: _____	FINISH: _____
MATERIAL: _____	

WAINSCOAT TRANSITION DETAIL			
VERTICAL			
(BOARD AND BATTEN TO WESTERN WAVE ®)		A	7-18-2023
REVISIONS		REV:	DATE:
PANEL TYPE:		DETAIL #:	
BOARD AND BATTEN		WP-WSD-W21	

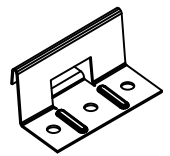
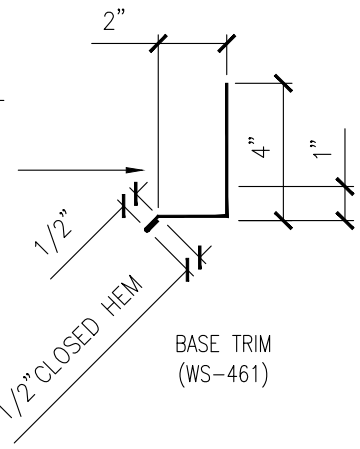
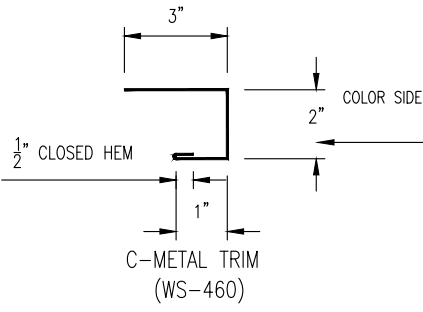
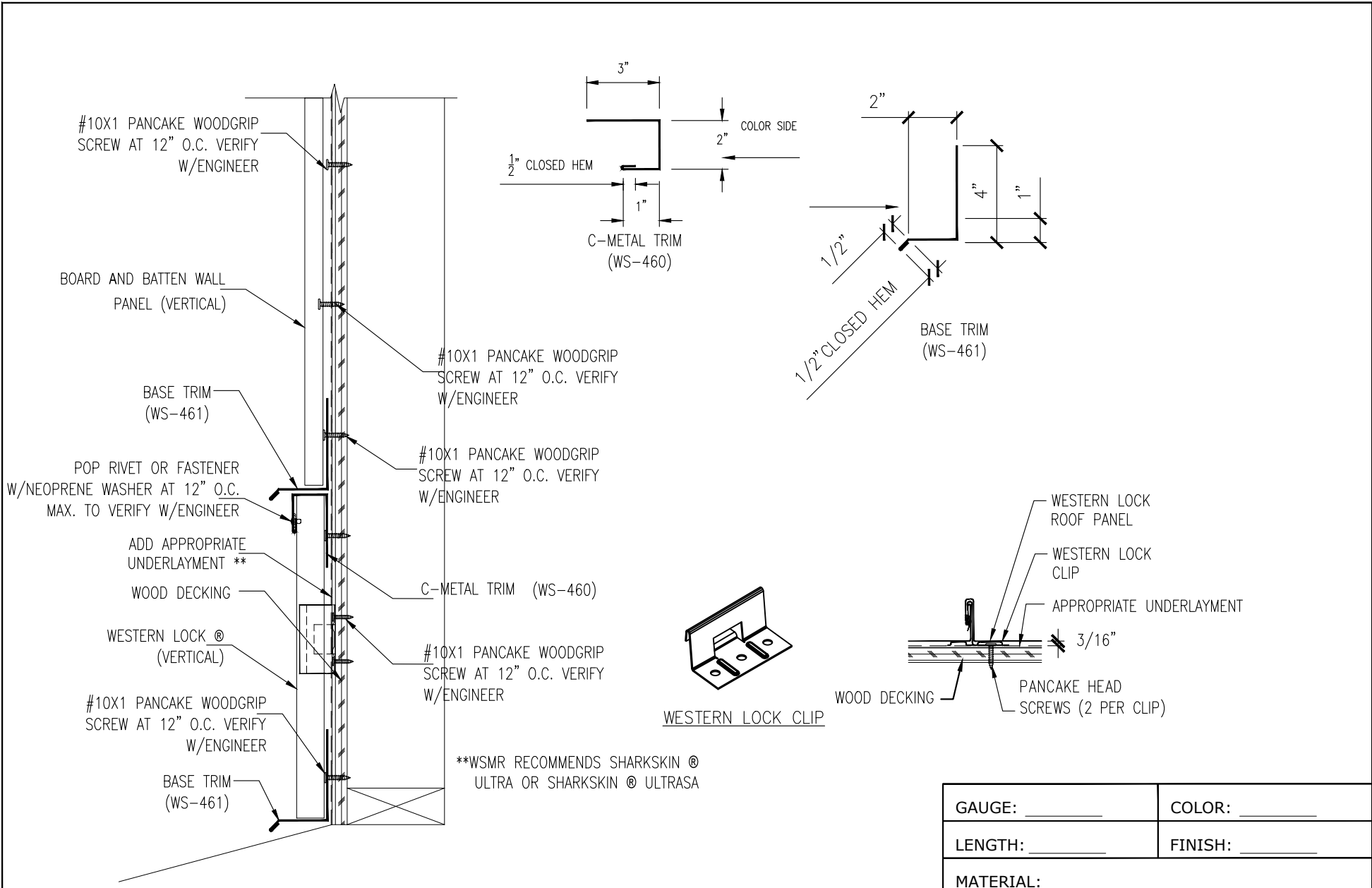


Western States Metal Roofing

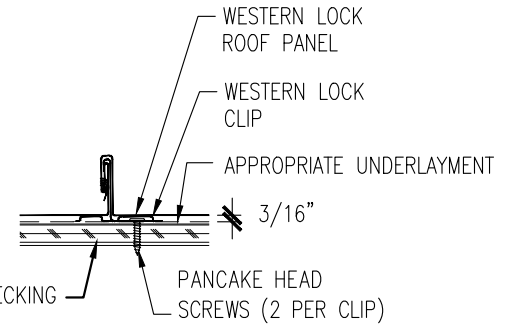
901 W. Watkins St.
 Phoenix, AZ 85007
www.westernstatesmetalroofing.com

Phone: (602) 495-0048
 Fax: (602) 261-7726
 877-PURLINS (787-5467)





WESTERN LOCK CLIP



**WSMR RECOMMENDS SHARKSKIN ® ULTRA OR SHARKSKIN ® ULTRASA

GUAGE: _____	COLOR: _____
LENGTH: _____	FINISH: _____
MATERIAL: _____	



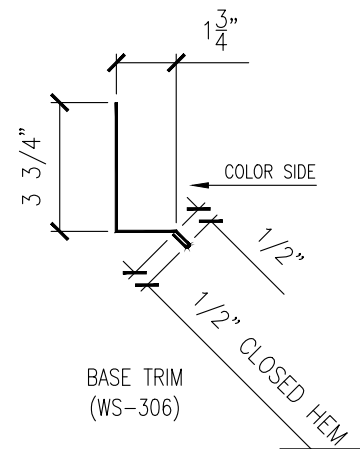
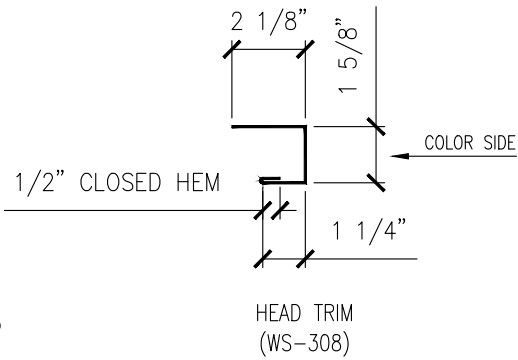
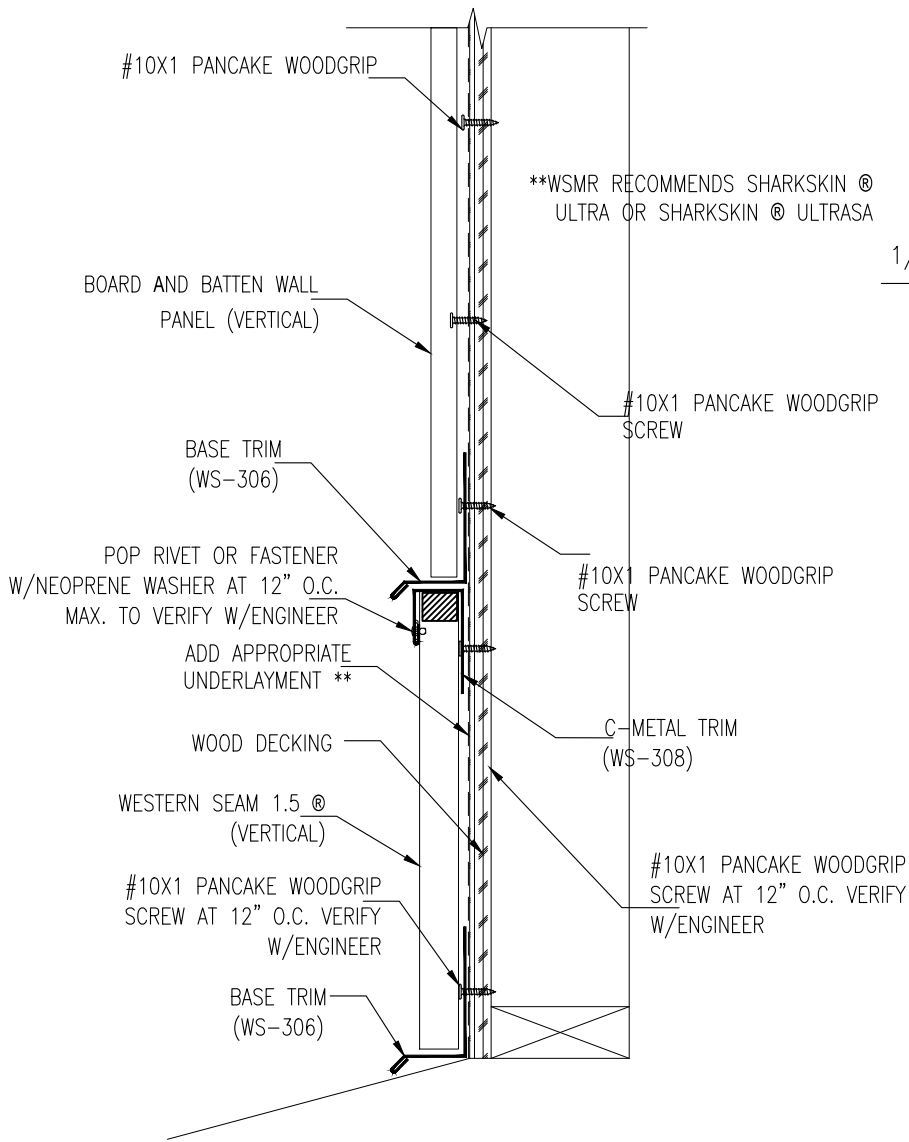
Western States Metal Roofing

901 W. Watkins St.
 Phoenix, AZ 85007
www.westernstatesmetalroofing.com

Phone: (602) 495-0048
 Fax: (602) 261-7726
 877-PURLINS (787-5467)



WAINSCOAT TRANSITION DETAIL VERTICAL (BOARD AND BATTEN TO WESTERN LOCK ®)		
	A	7-18-2023
PANEL TYPE: BOARD AND BATTEN	REV:	DATE:
	DETAIL #: WP-WSD-W22	



GAUGE: _____	COLOR: _____
LENGTH: _____	FINISH: _____
MATERIAL: _____	



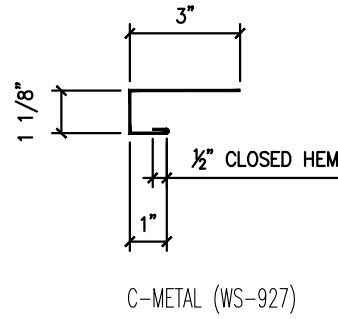
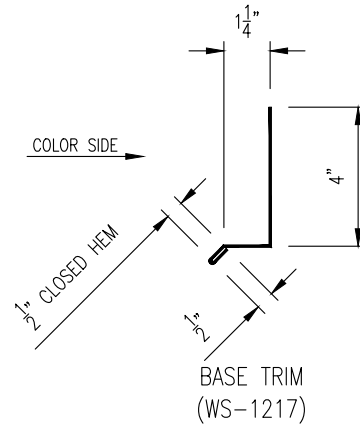
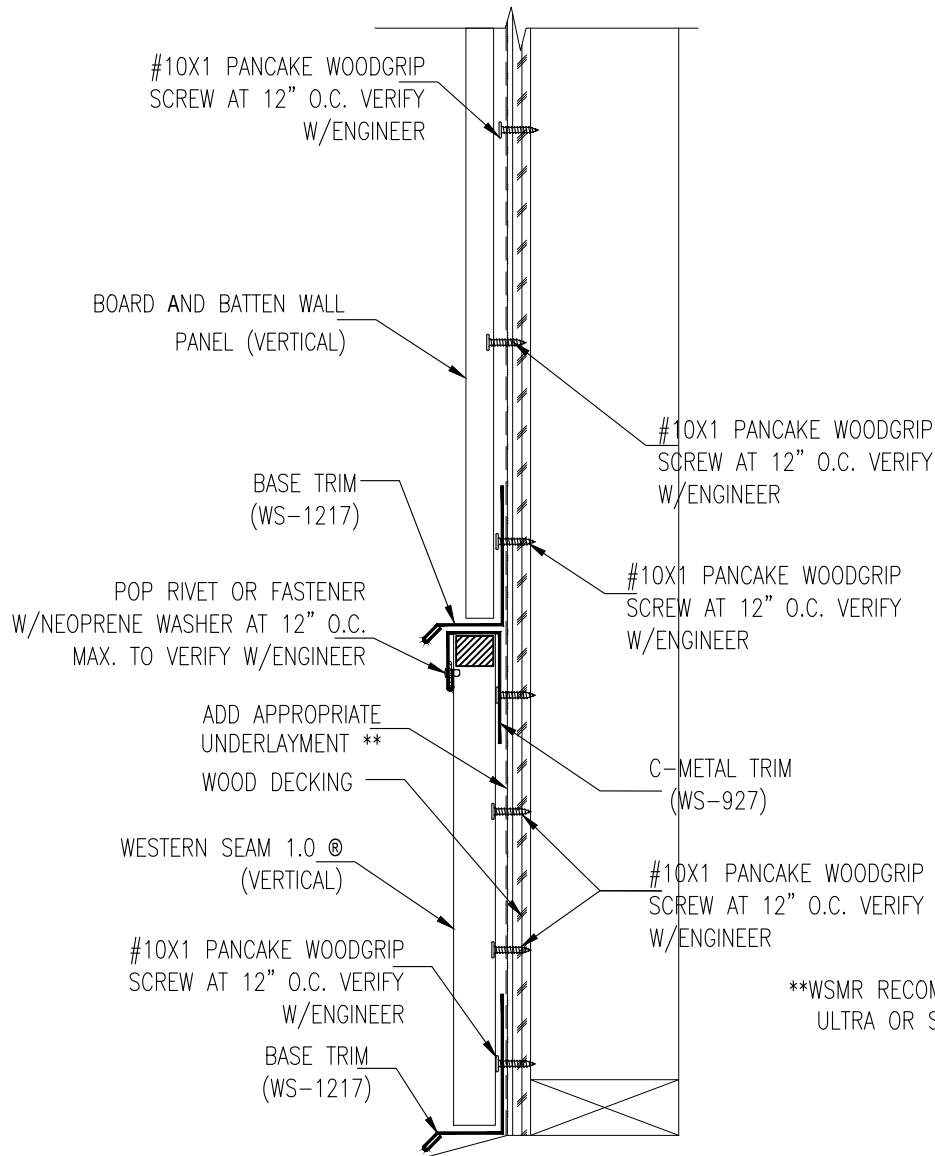
Western States Metal Roofing

901 W. Watkins St.
 Phoenix, AZ 85007
www.westernstatesmetalroofing.com

Phone: (602) 495-0048
 Fax: (602) 261-7726
 877-PURLINS (787-5467)



WAINSCOAT TRANSITION DETAIL VERTICAL (BOARD AND BATTEN TO WESTERN SEAM 1.5 ®)		
	A	7-18-2023
PANEL TYPE: BOARD AND BATTEN	REV:	DATE:
	DETAIL #: WP-WSD-W23	



**WSMR RECOMMENDS SHARKSKIN ®
ULTRA OR SHARKSKIN ® ULTRASA

GUAGE: _____	COLOR: _____
LENGTH: _____	FINISH: _____
MATERIAL: _____	

WAINSCOAT TRANSITION DETAIL VERTICAL (BOARD AND BATTEN TO WESTERN SEAM 1.0 ®)			
PANEL TYPE: BOARD AND BATTEN		A	7-18-2023
		REV:	DATE:
		DETAIL #: WP-WSD-W24	

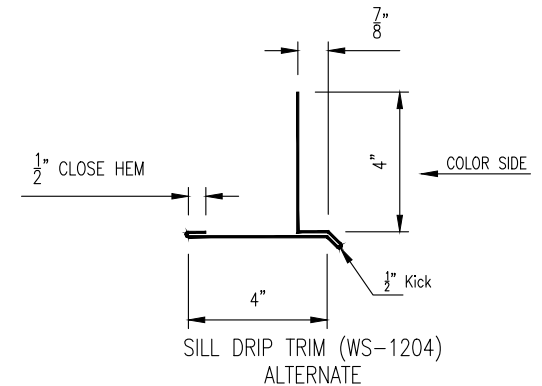
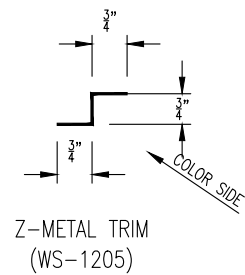
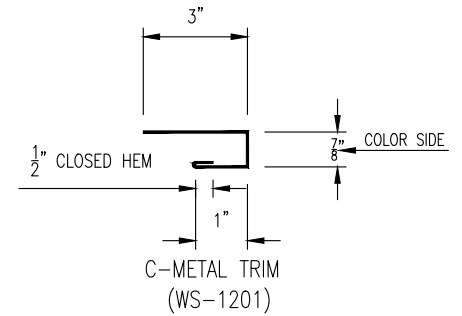
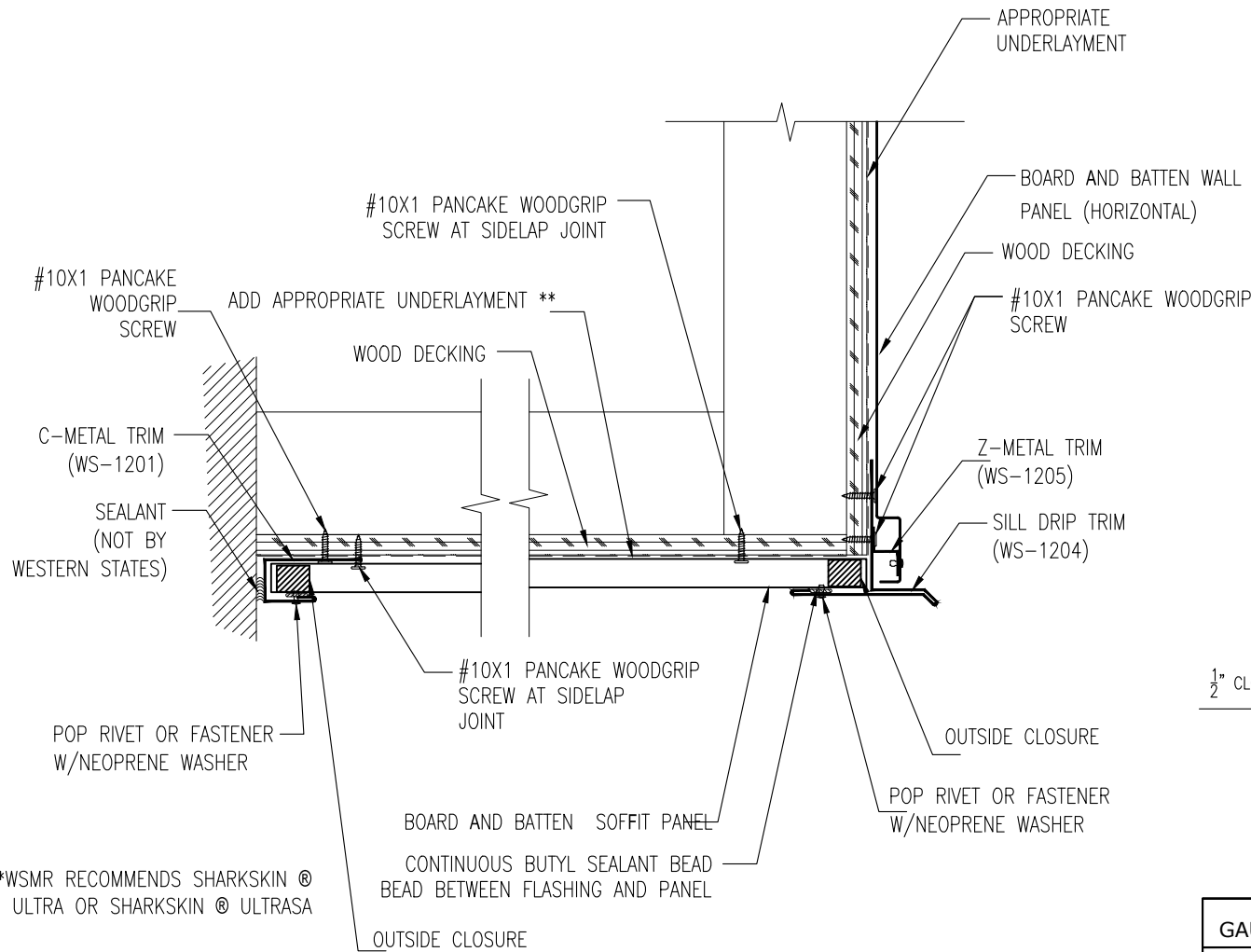


Western States Metal Roofing

901 W. Watkins St.
Phoenix, AZ 85007
www.westernstatesmetalroofing.com

Phone: (602) 495-0048
Fax: (602) 261-7726
877-PURLINS (787-5467)





GAUGE: _____	COLOR: _____
LENGTH: _____	FINISH: _____
MATERIAL: _____	

SOFFIT TO WALL HORIZONTAL DETAIL		
	A	7-18-2023
PANEL TYPE: BOARD AND BATTEN	REV:	DATE:
	DETAIL #: WP-WSD-W25	



Western States Metal Roofing

901 W. Watkins St.
Phoenix, AZ 85007

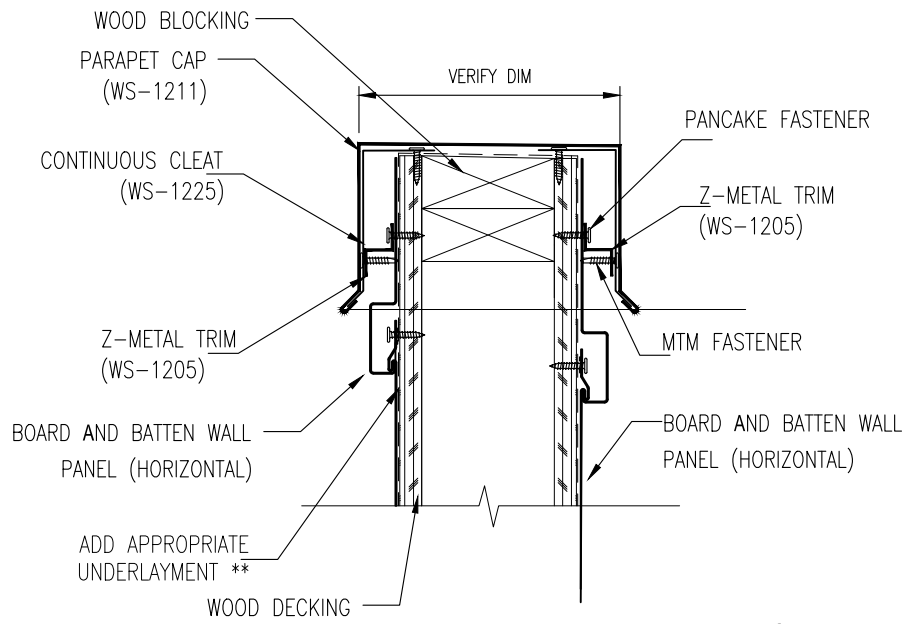
www.westernstatesmetalroofing.com

Phone: (602) 495-0048

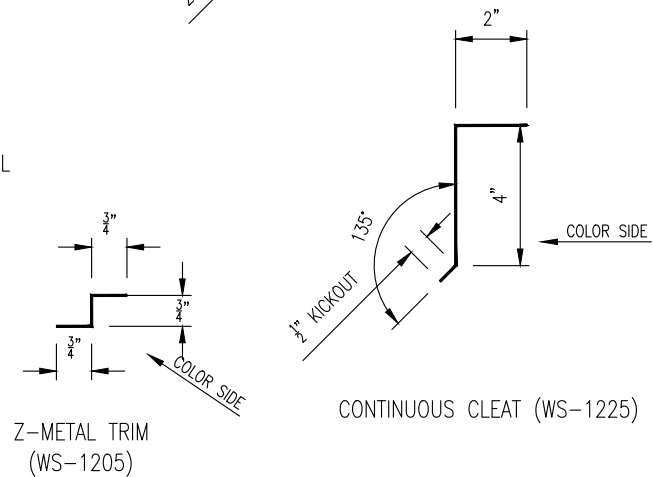
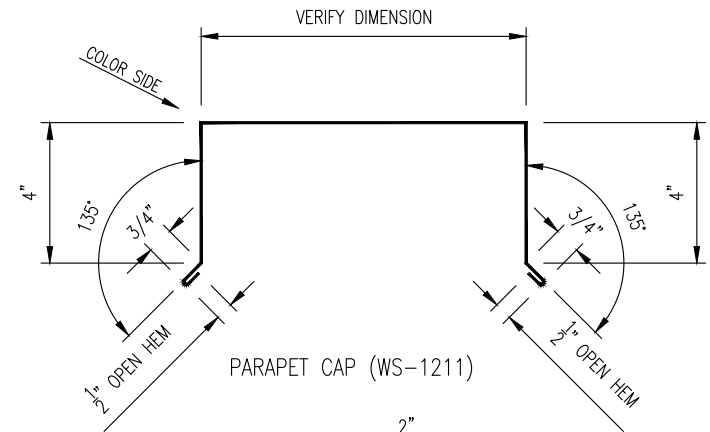
Fax: (602) 261-7726

877-PURLINS (787-5467)





**WSMR RECOMMENDS SHARKSKIN @ ULTRA OR SHARKSKIN @ ULTRASA



GAUGE: _____	COLOR: _____
LENGTH: _____	FINISH: _____
MATERIAL: _____	

PARAPET WALL HORIZONTAL DETAIL		
	A	7-18-2023
PANEL TYPE: BOARD AND BATTEN	REV:	DATE:
	DETAIL #: WP-WSD-W26	



Western States Metal Roofing

901 W. Watkins St.
Phoenix, AZ 85007

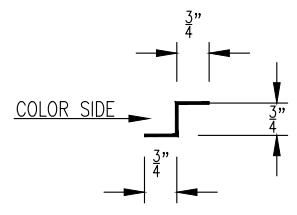
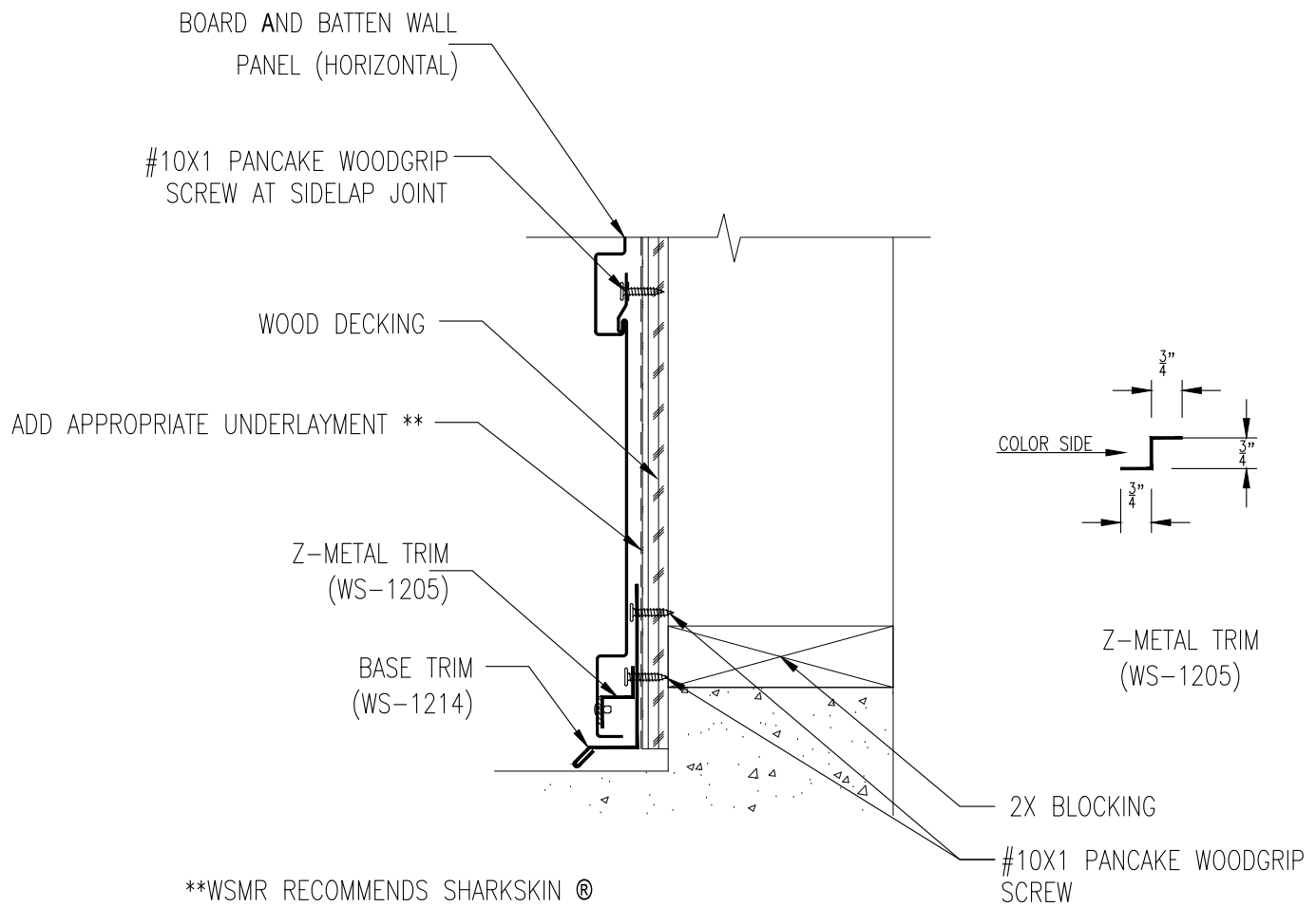
www.westernstatesmetalroofing.com

Phone: (602) 495-0048

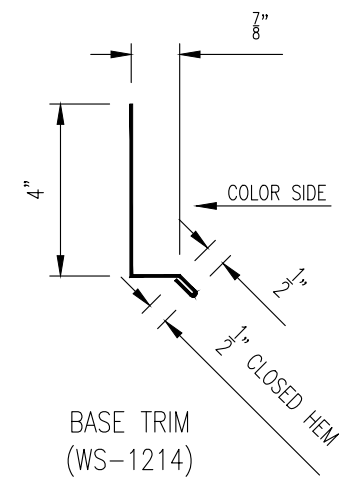
Fax: (602) 261-7726

877-PURLINS (787-5467)





Z-METAL TRIM (WS-1205)



BASE TRIM (WS-1214)

**WSMR RECOMMENDS SHARKSKIN ® ULTRA OR SHARKSKIN ® ULTRASA

GAUGE: _____	COLOR: _____
LENGTH: _____	FINISH: _____
MATERIAL: _____	



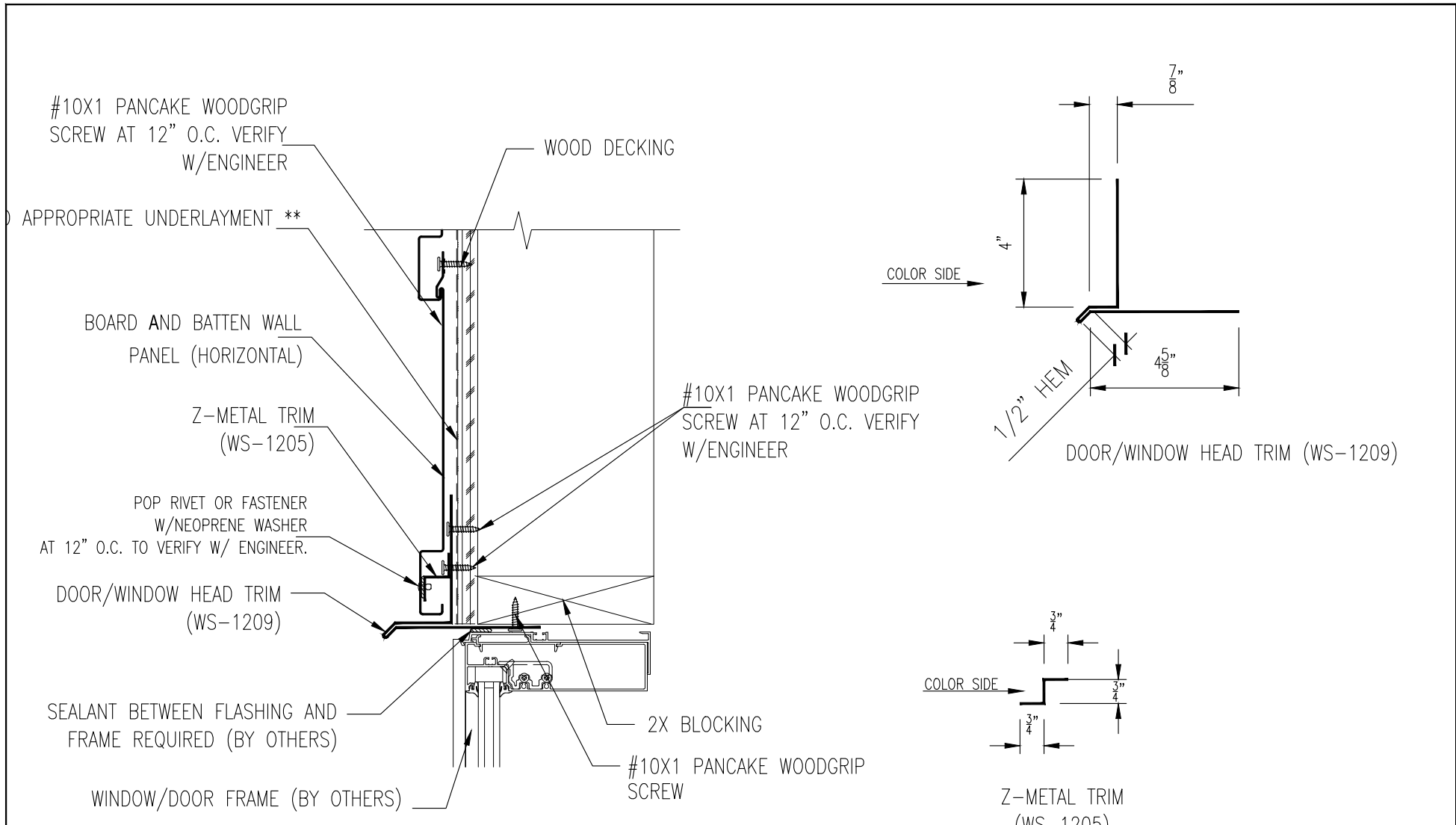
Western States Metal Roofing

901 W. Watkins St.
Phoenix, AZ 85007
www.westernstatesmetalroofing.com

Phone: (602) 495-0048
Fax: (602) 261-7726
877-PURLINS (787-5467)



HORIZONTAL BASE DETAIL OP 1		
	A	7-18-2023
PANEL TYPE: BOARD AND BATTEN	REV:	DATE:
	DETAIL #: WP-WSD-W27	



**WSMR RECOMMENDS SHARKSKIN ®
ULTRA OR SHARKSKIN ® ULTRASA

GAUGE: _____	COLOR: _____
LENGTH: _____	FINISH: _____
MATERIAL: _____	

SILL/HEAD TRIM @ WINDOW/DOOR HORIZONTAL OP 2		
	A	7-18-2023
PANEL TYPE: BOARD AND BATTEN	REV:	DATE:
	DETAIL #: WP-WSD-W28	

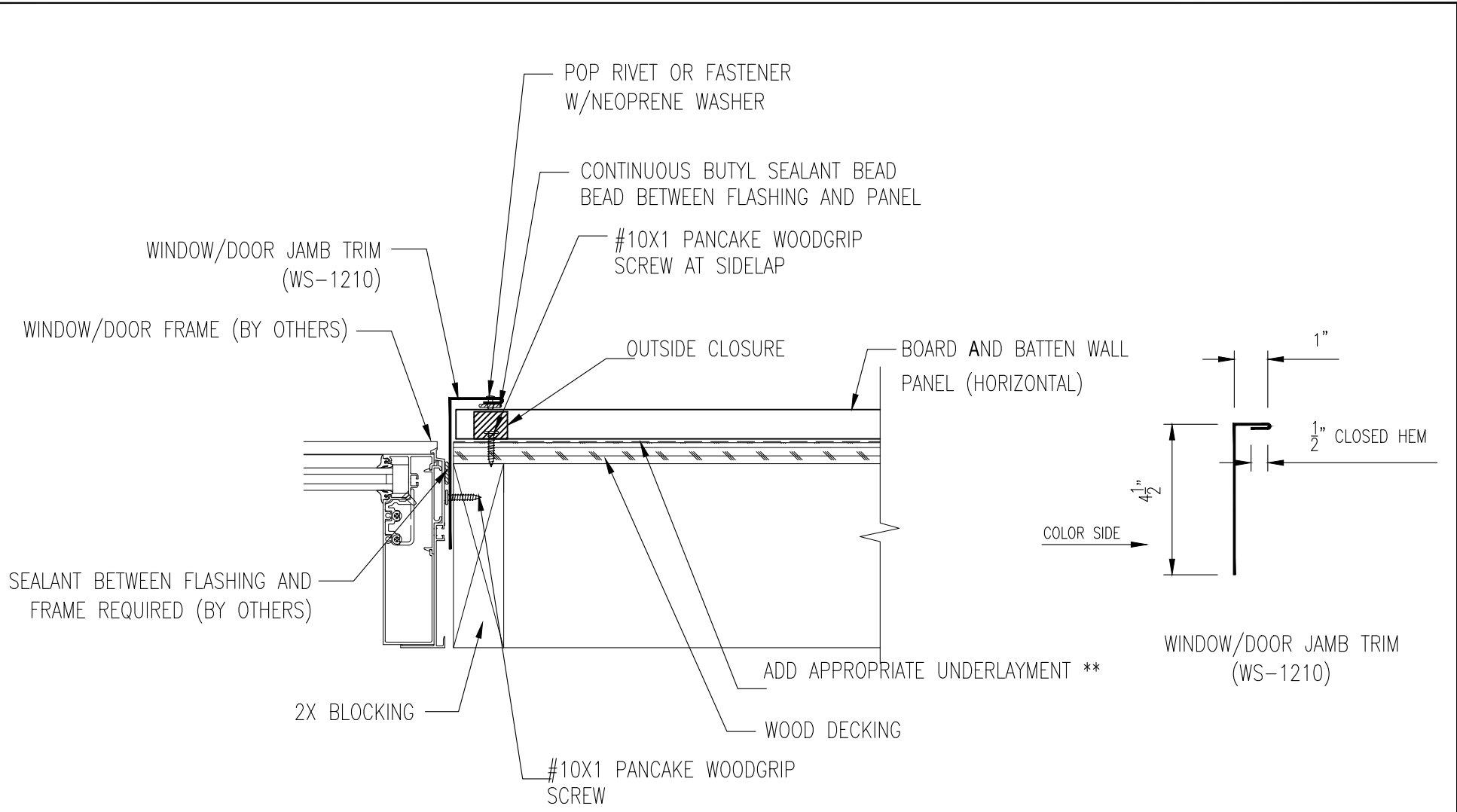


Western States Metal Roofing

901 W. Watkins St.
Phoenix, AZ 85007
www.westernstatesmetalroofing.com

Phone: (602) 495-0048
Fax: (602) 261-7726
877-PURLINS (787-5467)





**WSMR RECOMMENDS SHARKSKIN ® ULTRA OR SHARKSKIN ® ULTRASA

GAUGE: _____	COLOR: _____
LENGTH: _____	FINISH: _____
MATERIAL: _____	

JAMB TRIM @ WINDOW / DOOR HORIZONTAL OP1		
	A	7-18-2023
PANEL TYPE: BOARD AND BATTEN	REV:	DATE:
	DETAIL #: WP-WSD-W29	

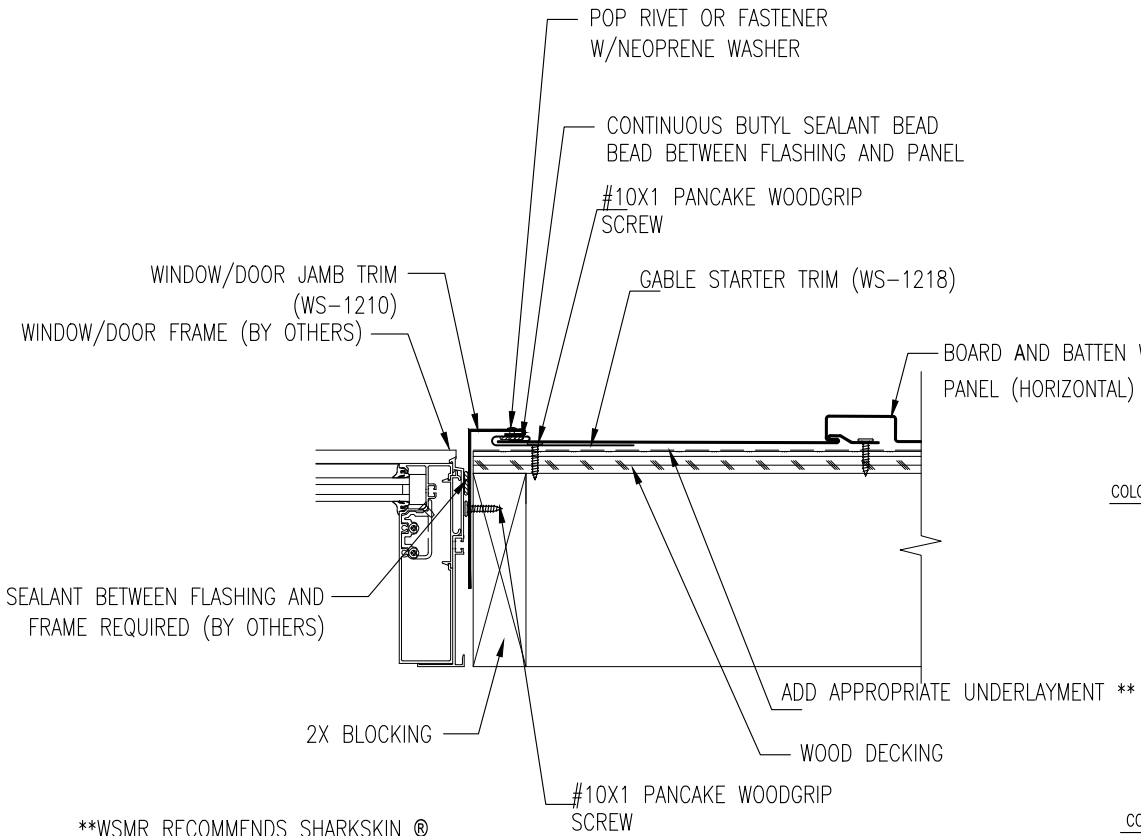


Western States Metal Roofing

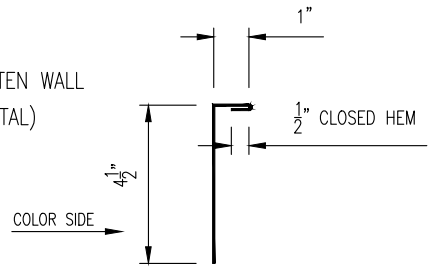
901 W. Watkins St.
Phoenix, AZ 85007
www.westernstatesmetalroofing.com

Phone: (602) 495-0048
Fax: (602) 261-7726
877-PURLINS (787-5467)

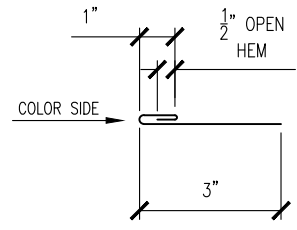




**WSMR RECOMMENDS SHARKSKIN ® ULTRA OR SHARKSKIN ® ULTRASA



WINDOW/DOOR JAMB TRIM (WS-1210)



GABLE STARTER TRIM (WS-1218)

GAUGE: _____	COLOR: _____
LENGTH: _____	FINISH: _____
MATERIAL: _____	
JAMB TRIM @ WINDOW / DOOR VERTICAL OP2	
	A 7-18-2023
PANEL TYPE: BOARD AND BATTEN	REV: DATE:
	DETAIL #: WP-WSD-W30

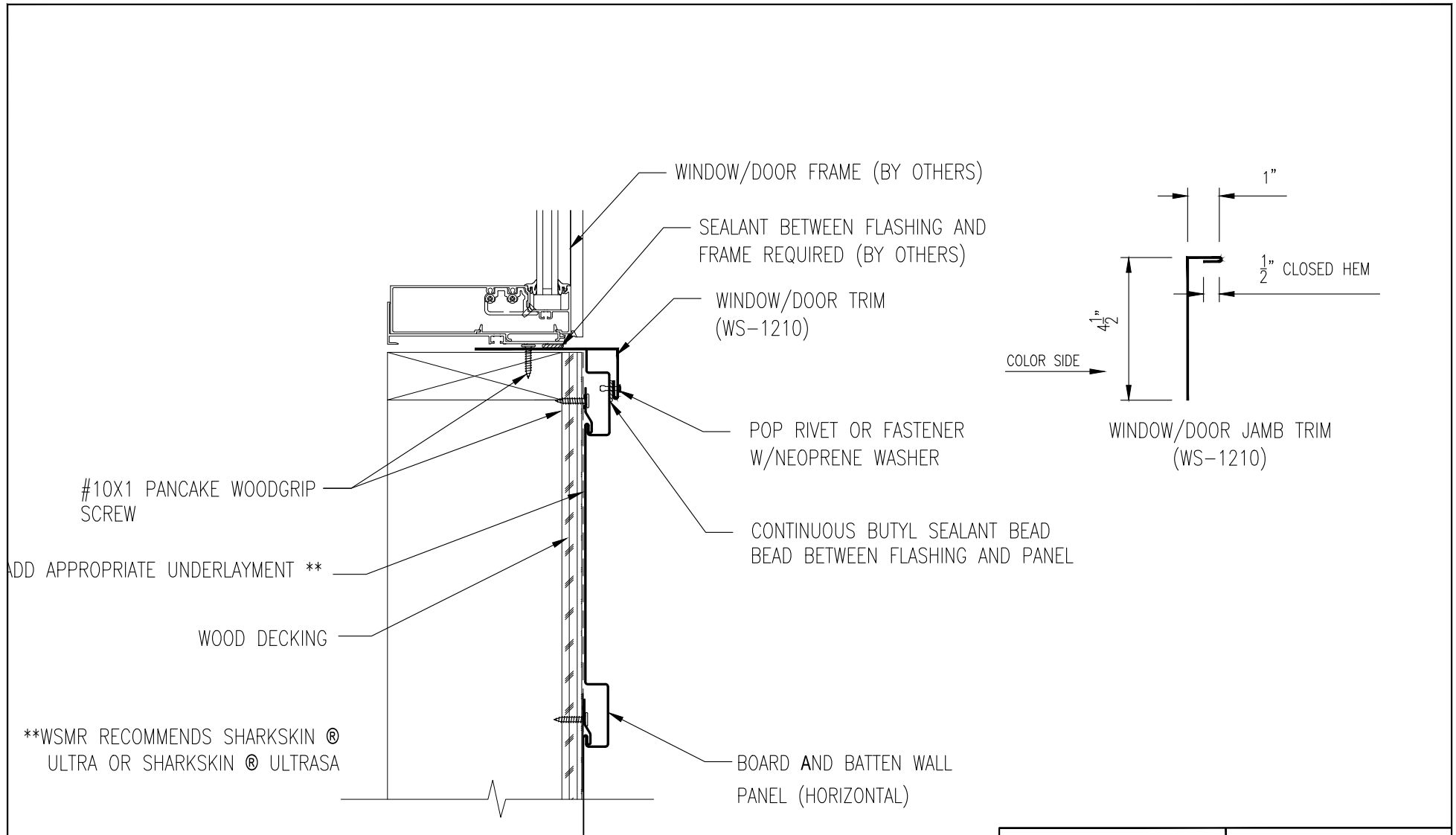


Western States Metal Roofing

901 W. Watkins St.
Phoenix, AZ 85007
www.westernstatesmetalroofing.com

Phone: (602) 495-0048
Fax: (602) 261-7726
877-PURLINS (787-5467)





GAUGE: _____	COLOR: _____
LENGTH: _____	FINISH: _____
MATERIAL: _____	
SILL TRIM @ WINDOW / DOOR HORIZONTAL	
A	7-18-2023
REV:	DATE:
PANEL TYPE: BOARD AND BATTEN	DETAIL #: WP-WSD-W31



Western States Metal Roofing

901 W. Watkins St.
Phoenix, AZ 85007

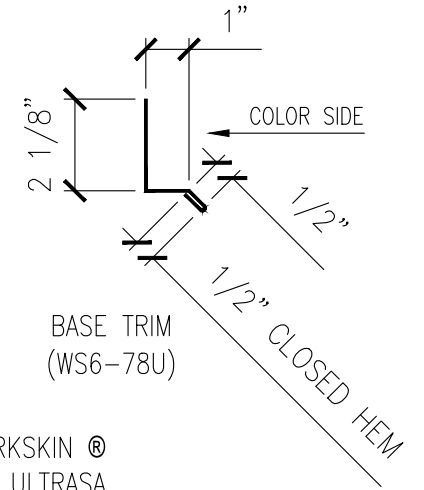
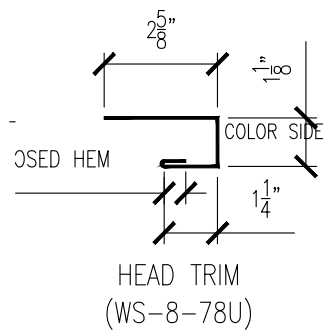
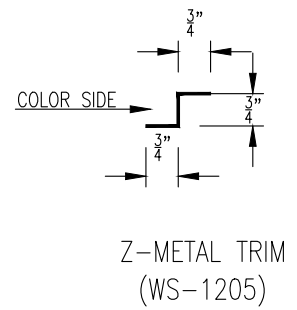
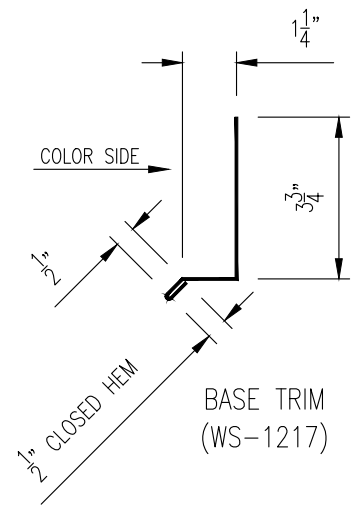
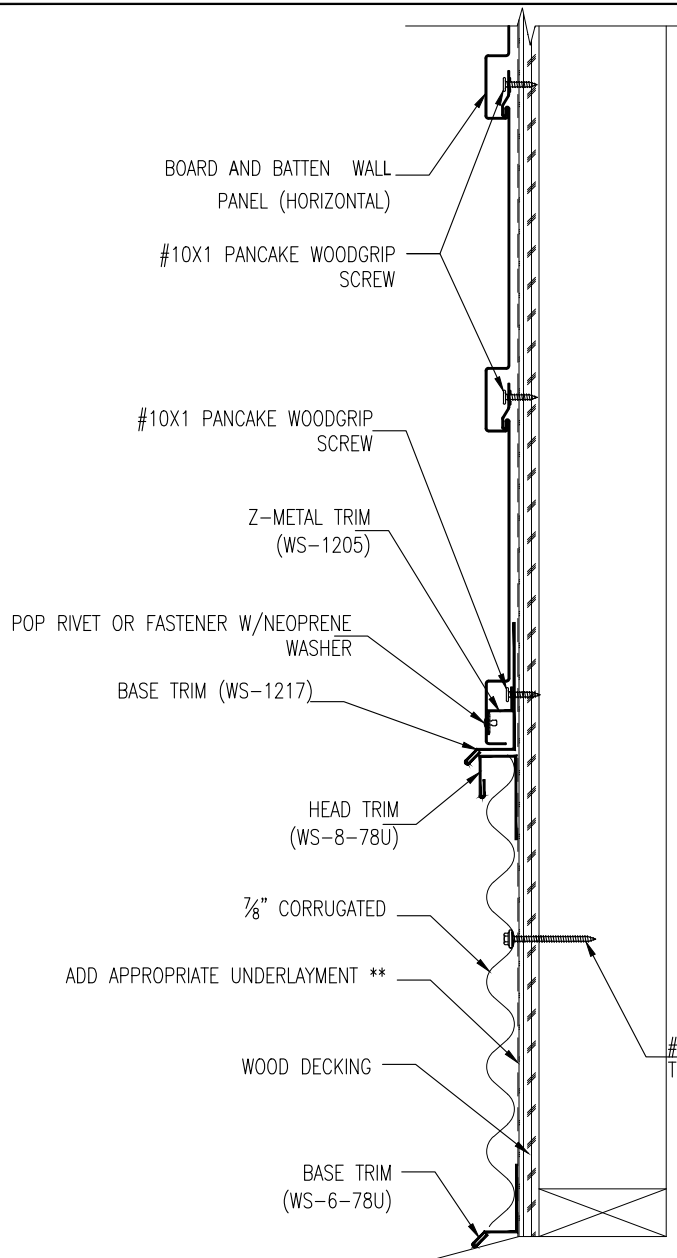
www.westernstatesmetalroofing.com

Phone: (602) 495-0048

Fax: (602) 261-7726

877-PURLINS (787-5467)





**WSMR RECOMMENDS SHARKSKIN ® ULTRA OR SHARKSKIN ® ULTRASA

GUAGE: _____	COLOR: _____
LENGTH: _____	FINISH: _____
MATERIAL: _____	



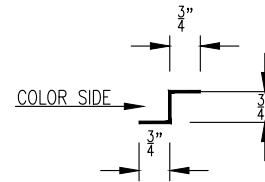
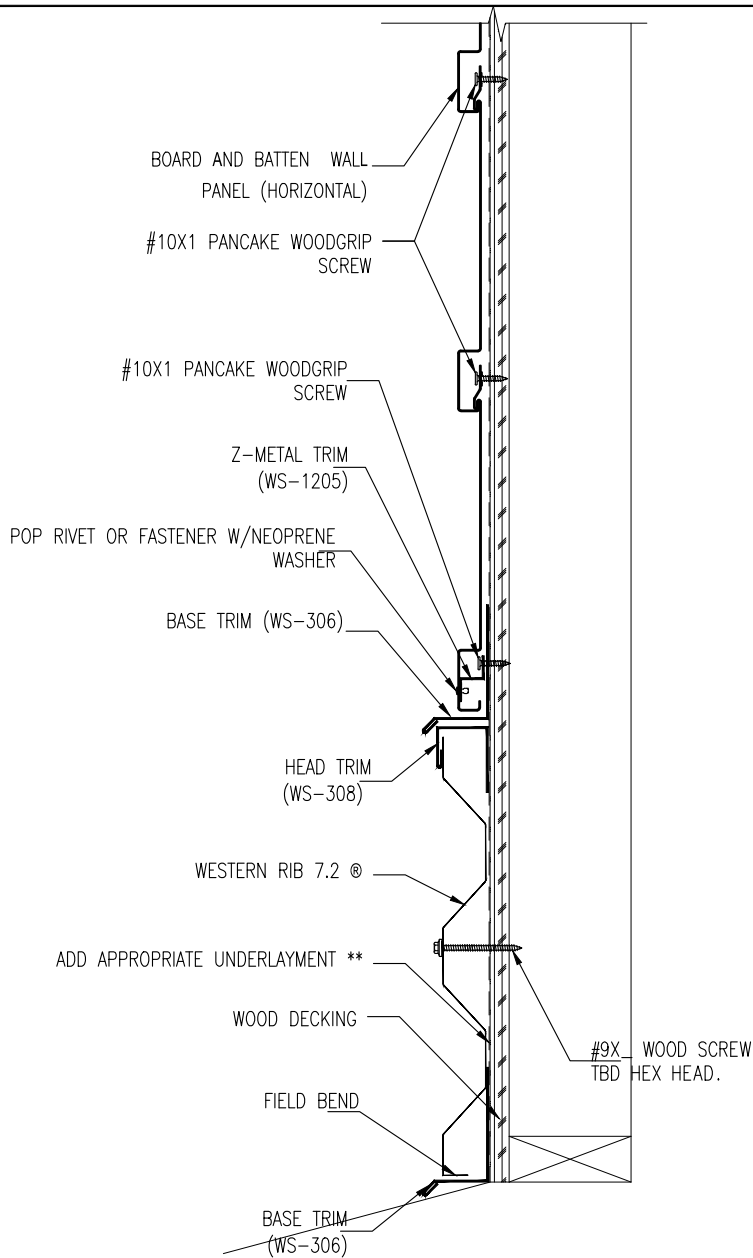
Western States Metal Roofing

901 W. Watkins St.
 Phoenix, AZ 85007
www.westernstatesmetalroofing.com

Phone: (602) 495-0048
 Fax: (602) 261-7726
 877-PURLINS (787-5467)

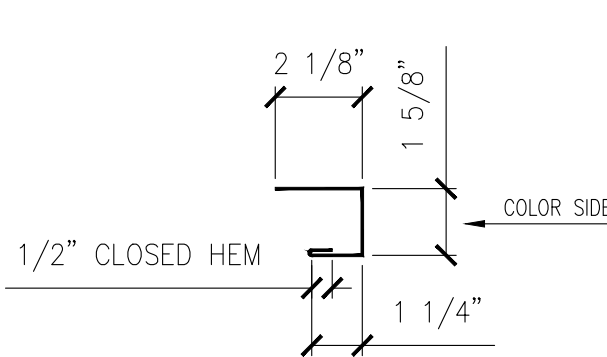


WAINSCOT HORIZONTAL TRANSITION DETAIL (BOARD AND BATTEN TO 7/8\"/>		
	A	7-18-2023
PANEL TYPE: BOARD AND BATTEN	REV:	DATE:
	DETAIL #: WP-WSD-W32	

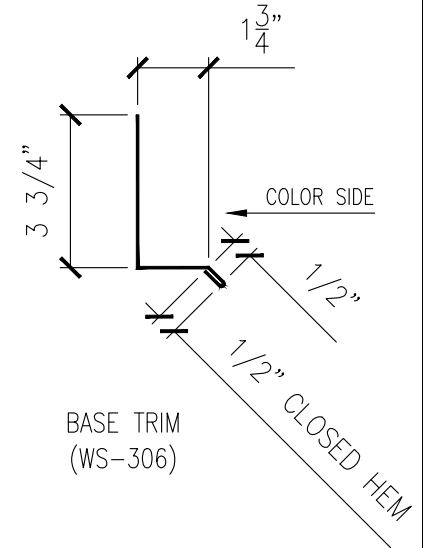


Z-METAL TRIM (WS-1205)

**WSMR RECOMMENDS SHARKSKIN ® ULTRA OR SHARKSKIN ® ULTRASA



HEAD TRIM (WS-308)



BASE TRIM (WS-306)

GAUGE: _____	COLOR: _____
LENGTH: _____	FINISH: _____
MATERIAL: _____	

WAINSCOT HORIZONTAL TRANSITION DETAIL (BOARD AND BATTEN TO WESTERN RIB)		
	A	7-18-2023
PANEL TYPE: BOARD AND BATTEN	REV:	DATE:
	DETAIL #: WP-WSD-W33	

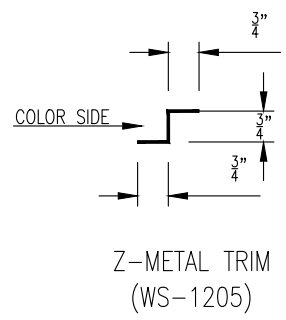
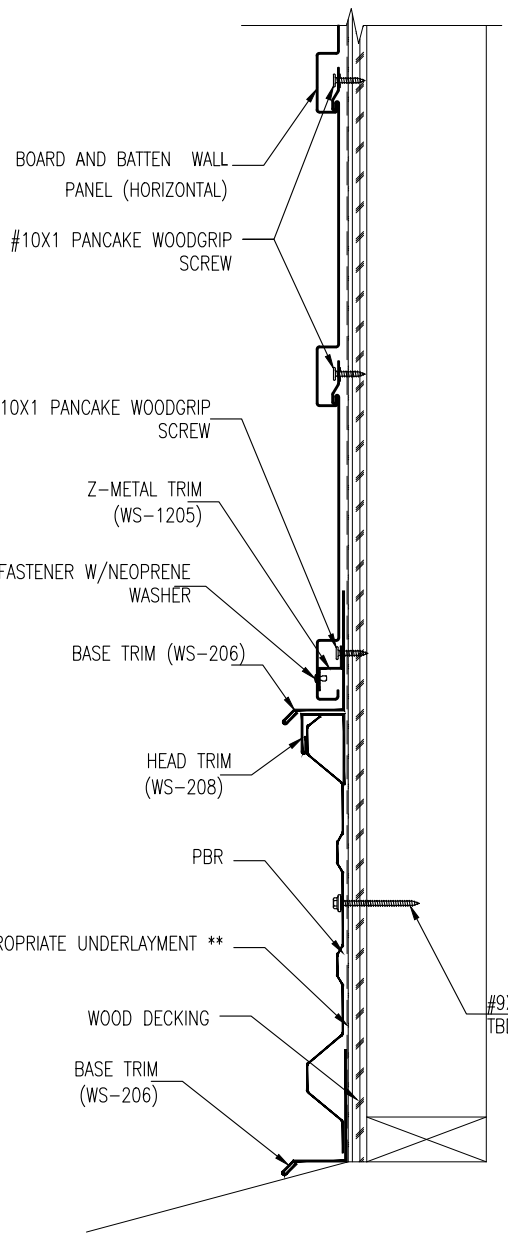


Western States Metal Roofing

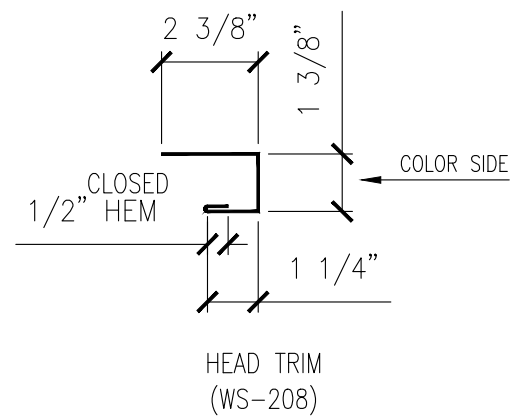
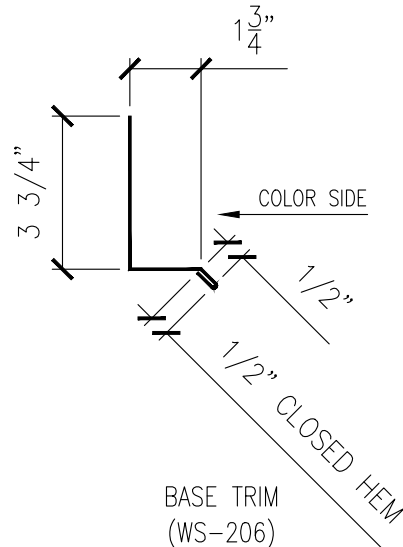
901 W. Watkins St.
Phoenix, AZ 85007
www.westernstatesmetalroofing.com

Phone: (602) 495-0048
Fax: (602) 261-7726
877-PURLINS (787-5467)





**WSMR RECOMMENDS SHARKSKIN ® ULTRA OR SHARKSKIN ® ULTRASA



GUAGE: _____	COLOR: _____
LENGTH: _____	FINISH: _____
MATERIAL: _____	

WAINSCOT HORIZONTAL TRANSITION DETAIL (BOARD AND BATTEN TO PBR)			
PANEL TYPE: BOARD AND BATTEN		A	7-18-2023
		REV:	DATE:
		DETAIL #: WP-WSD-W34	

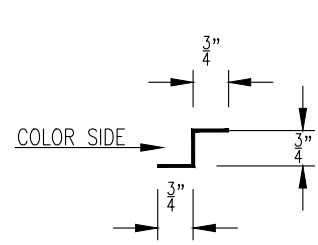
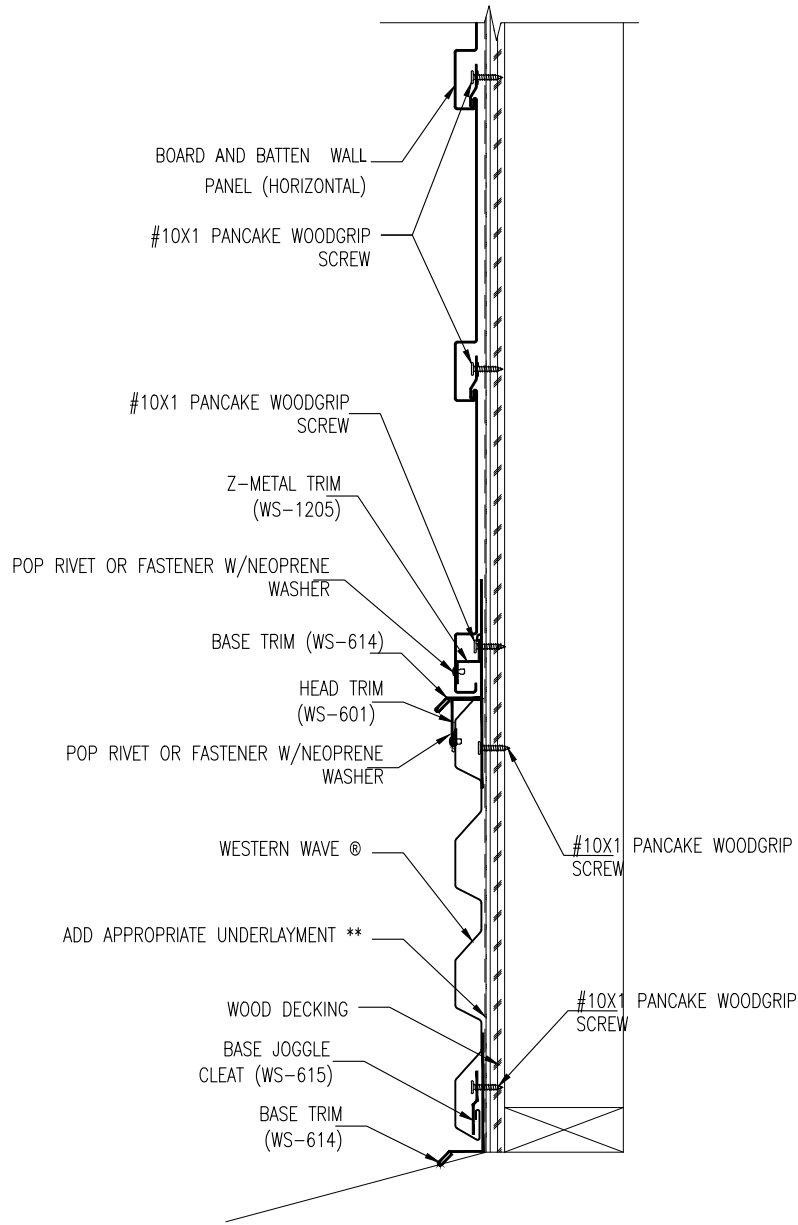


Western States Metal Roofing

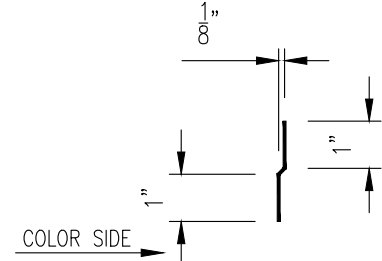
901 W. Watkins St.
Phoenix, AZ 85007
www.westernstatesmetalroofing.com

Phone: (602) 495-0048
Fax: (602) 261-7726
877-PURLINS (787-5467)



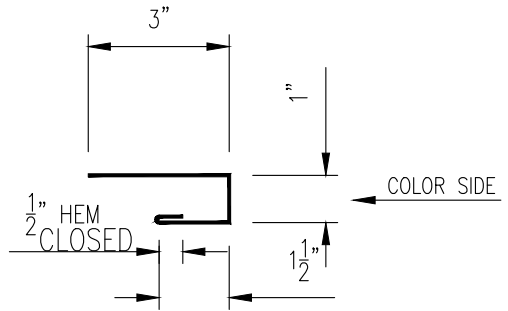


Z-METAL TRIM (WS-1205)

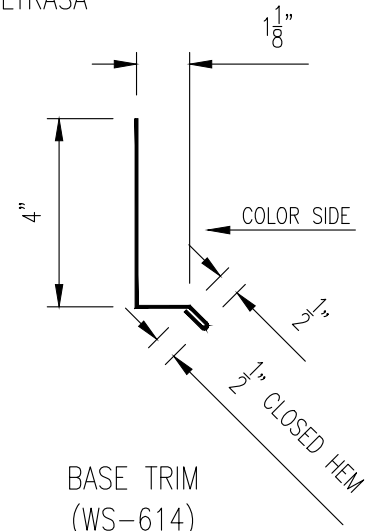


BASE JOGGLE CLEAT (WS-615)

**WSMR RECOMMENDS SHARKSKIN ® ULTRA OR SHARKSKIN ® ULTRASA



C-METAL TRIM (WS-601)



BASE TRIM (WS-614)

GUAGE: _____	COLOR: _____
LENGTH: _____	FINISH: _____
MATERIAL: _____	



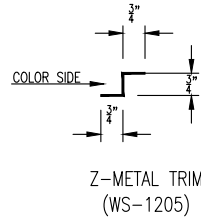
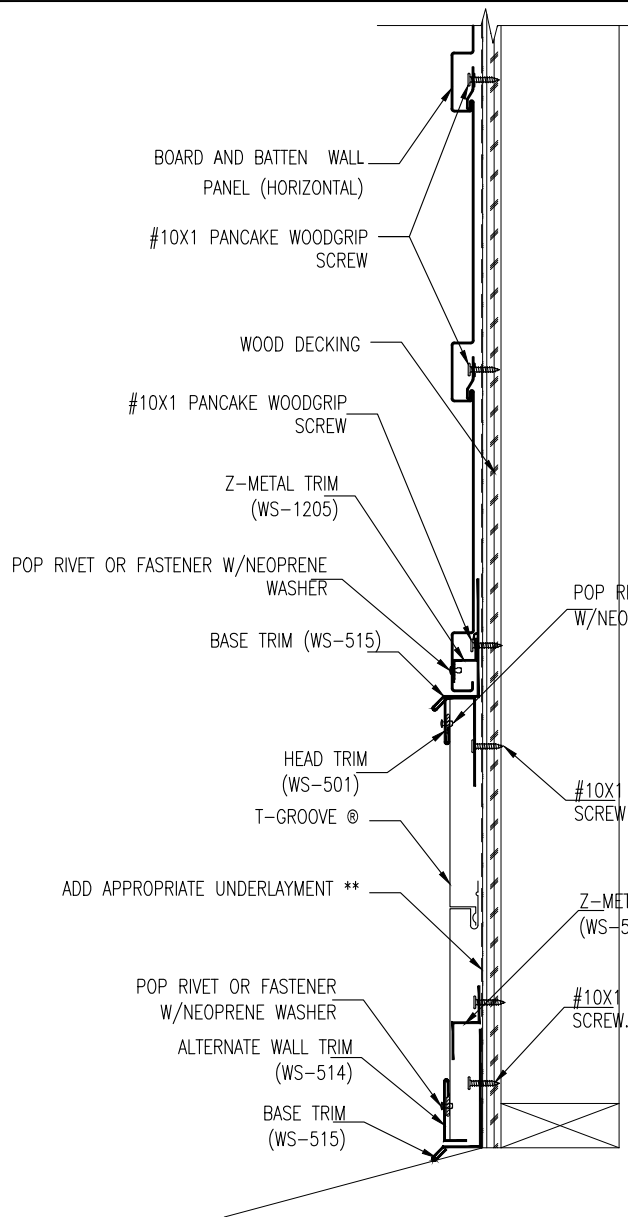
Western States Metal Roofing

901 W. Watkins St.
Phoenix, AZ 85007
www.westernstatesmetalroofing.com

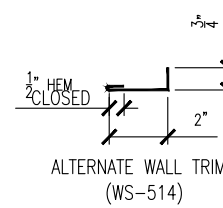
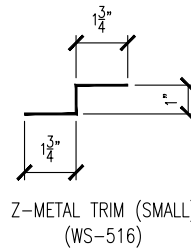
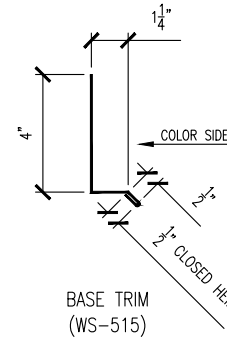
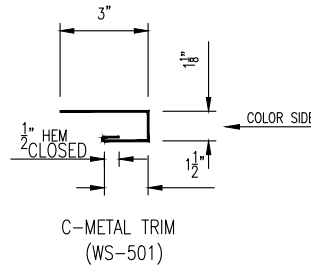
Phone: (602) 495-0048
Fax: (602) 261-7726
877-PURLINS (787-5467)



WAINSCOT HORIZONTAL TRANSITION DETAIL (BOARD AND BATTEN TO WESTERN WAVE ®)		
	A	7-18-2023
PANEL TYPE: BOARD AND BATTEN	REV:	DATE:
	DETAIL #: WP-WSD-W35	



**WSMR RECOMMENDS SHARKSKIN ® ULTRA OR SHARKSKIN ® ULTRASA



GUAGE: _____	COLOR: _____
LENGTH: _____	FINISH: _____
MATERIAL: _____	

WAINSCOAT HORIZONTAL TRANSITION DETAIL (BOARD AND BATTEN TO T-GROOVE ®)			
PANEL TYPE: BOARD AND BATTEN		A	7-18-2023
		REV:	DATE:
		DETAIL #: WP-WSD-W36	

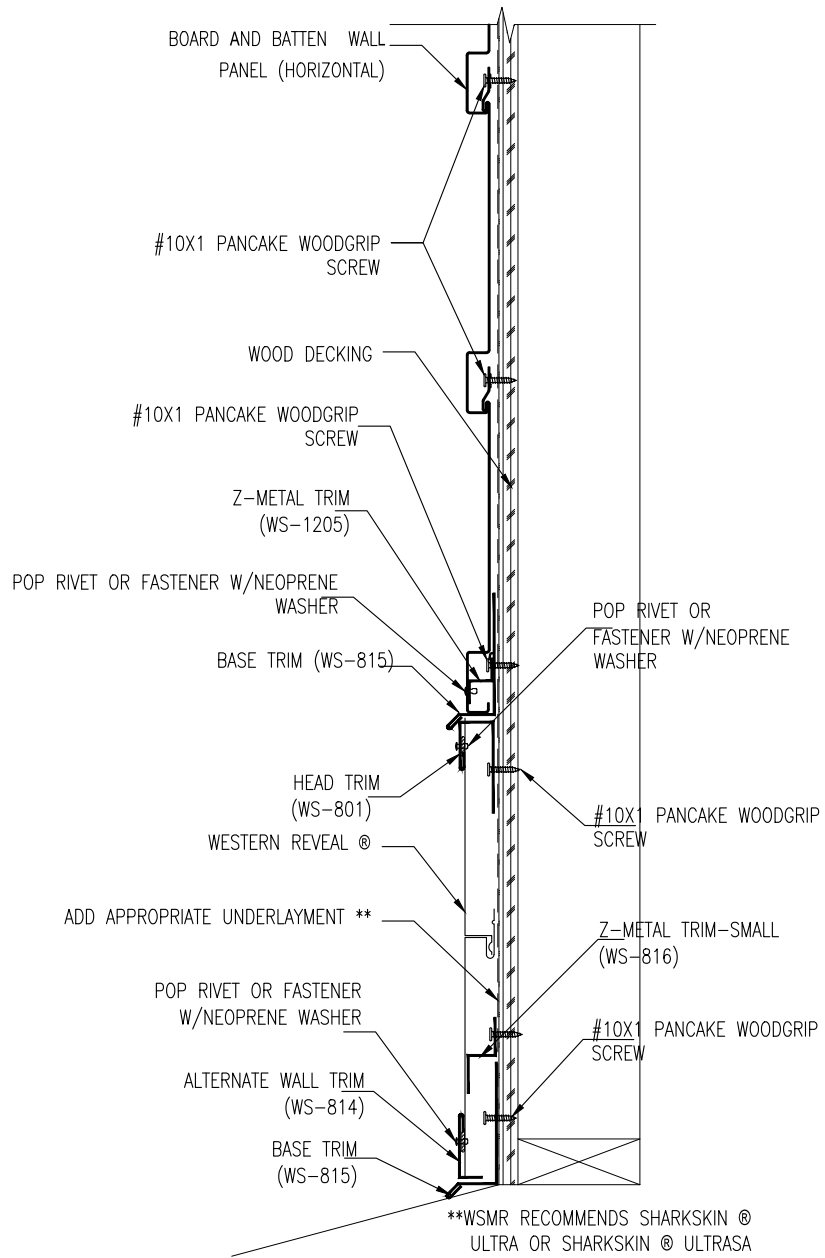


Western States Metal Roofing

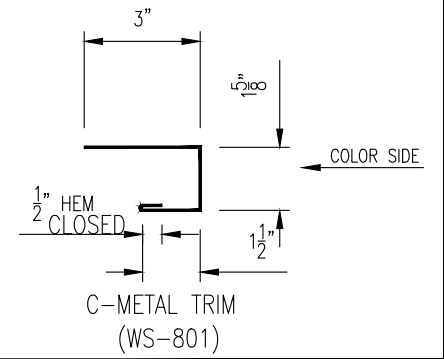
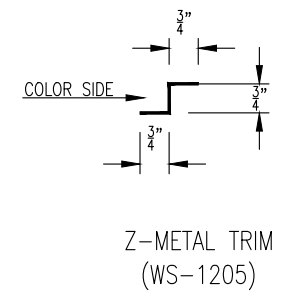
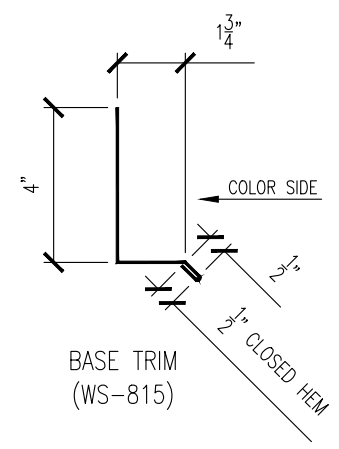
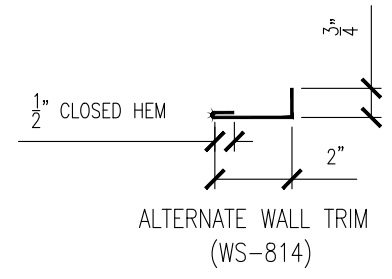
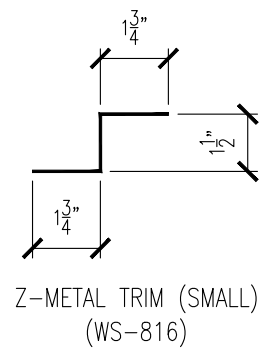
901 W. Watkins St.
Phoenix, AZ 85007
www.westernstatesmetalroofing.com

Phone: (602) 495-0048
Fax: (602) 261-7726
877-PURLINS (787-5467)





**WSMR RECOMMENDS SHARKSKIN @
ULTRA OR SHARKSKIN @ ULTRASA



GUAGE: _____	COLOR: _____
LENGTH: _____	FINISH: _____
MATERIAL: _____	



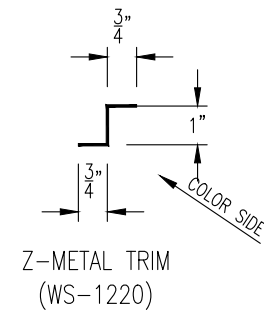
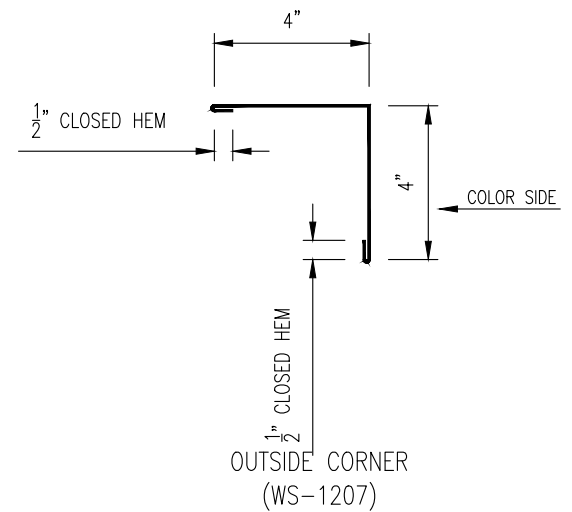
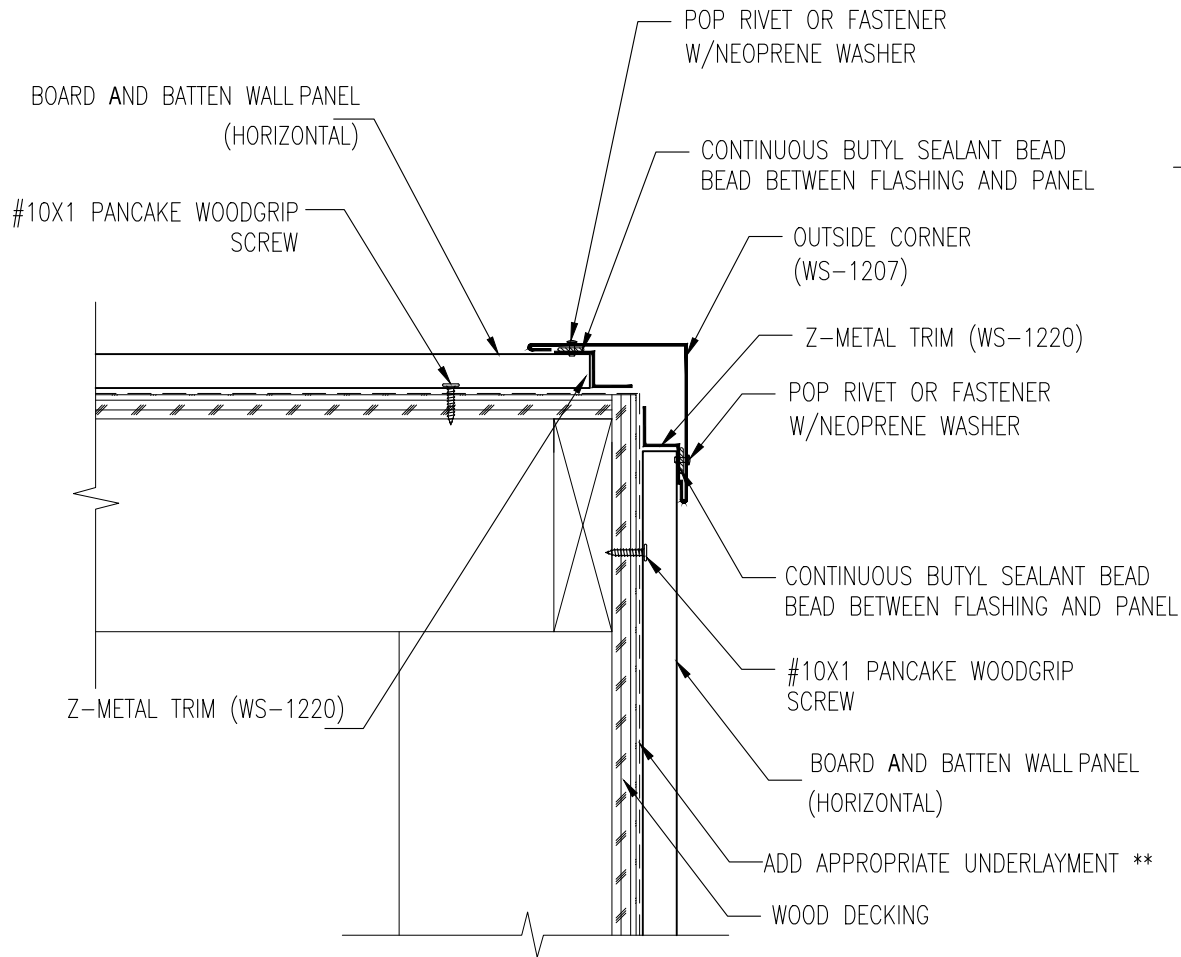
Western States Metal Roofing

901 W. Watkins St.
Phoenix, AZ 85007
www.westernstatesmetalroofing.com

Phone: (602) 495-0048
Fax: (602) 261-7726
877-PURLINS (787-5467)



WAINSCOAT HORIZONTAL TRANSITION DETAIL (BOARD AND BATTEN TO WESTERN REVEAL ®)		
	A	7-18-2023
PANEL TYPE: BOARD AND BATTEN	REV:	DATE:
	DETAIL #: WP-WSD-W37	



**WSMR RECOMMENDS SHARKSKIN ®
ULTRA OR SHARKSKIN ® ULTRASA

GUAGE: _____	COLOR: _____
LENGTH: _____	FINISH: _____
MATERIAL: _____	

OUTSIDE CORNER HORIZONTAL DETAIL		
	A	7-18-2023
PANEL TYPE: BOARD AND BATTEN	REV:	DATE:
	DETAIL #: WP-WSD-W38	

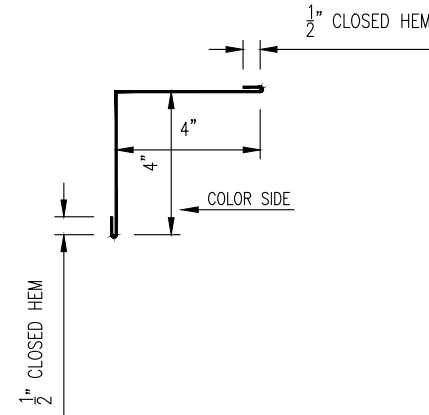
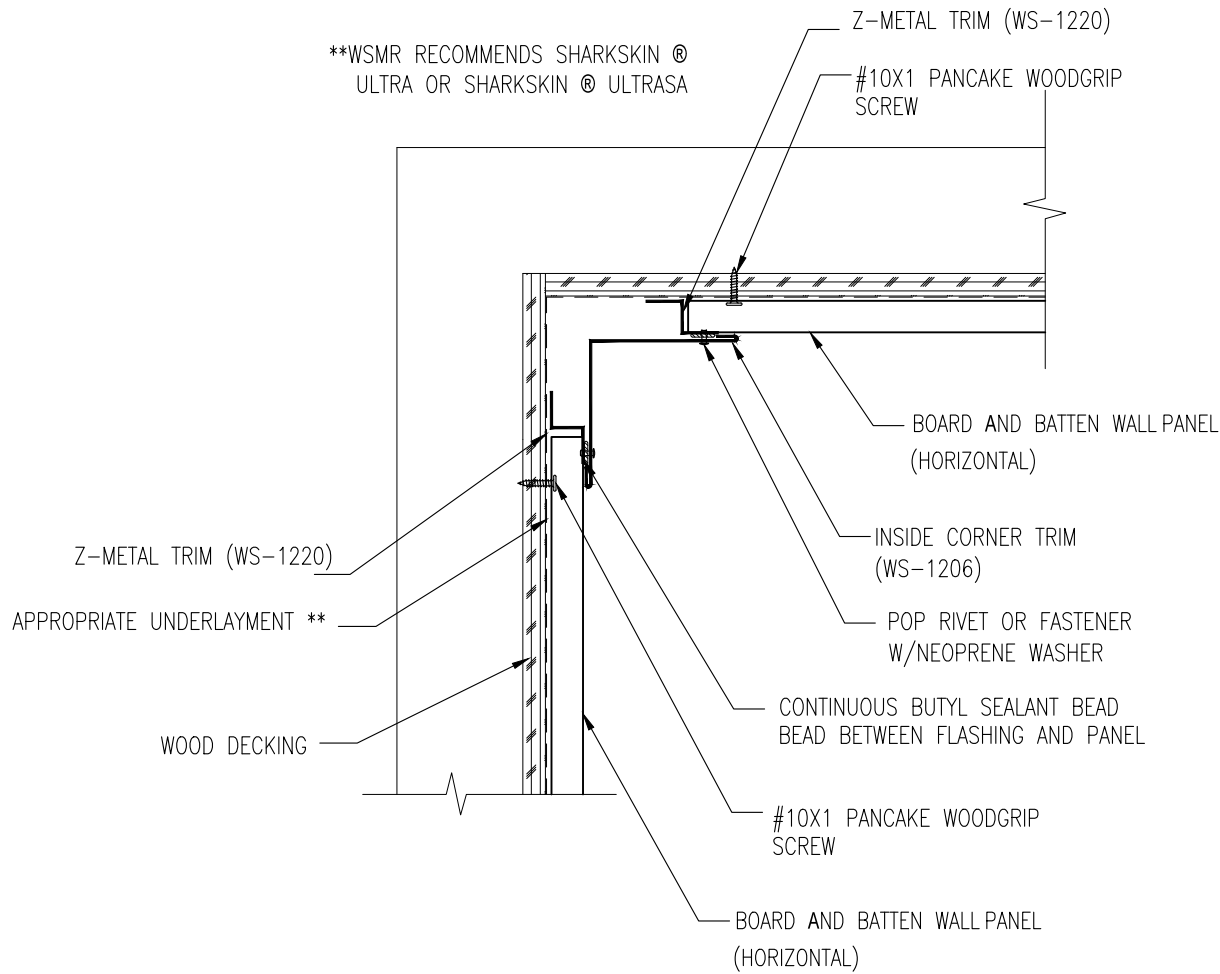


Western States Metal Roofing

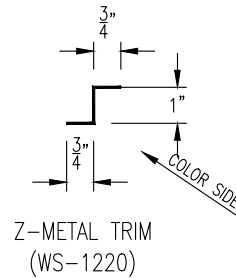
901 W. Watkins St.
Phoenix, AZ 85007
www.westernstatesmetalroofing.com

Phone: (602) 495-0048
Fax: (602) 261-7726
877-PURLINS (787-5467)





INSIDE CORNER TRIM (WS-1206)



GAUGE: _____	COLOR: _____
LENGTH: _____	FINISH: _____
MATERIAL: _____	

INSIDE CORNER HORIZONTAL DETAIL		
	A	7-18-2023
PANEL TYPE: BOARD AND BATTEN	REV:	DATE:
	DETAIL #: WP-WSD-W39	

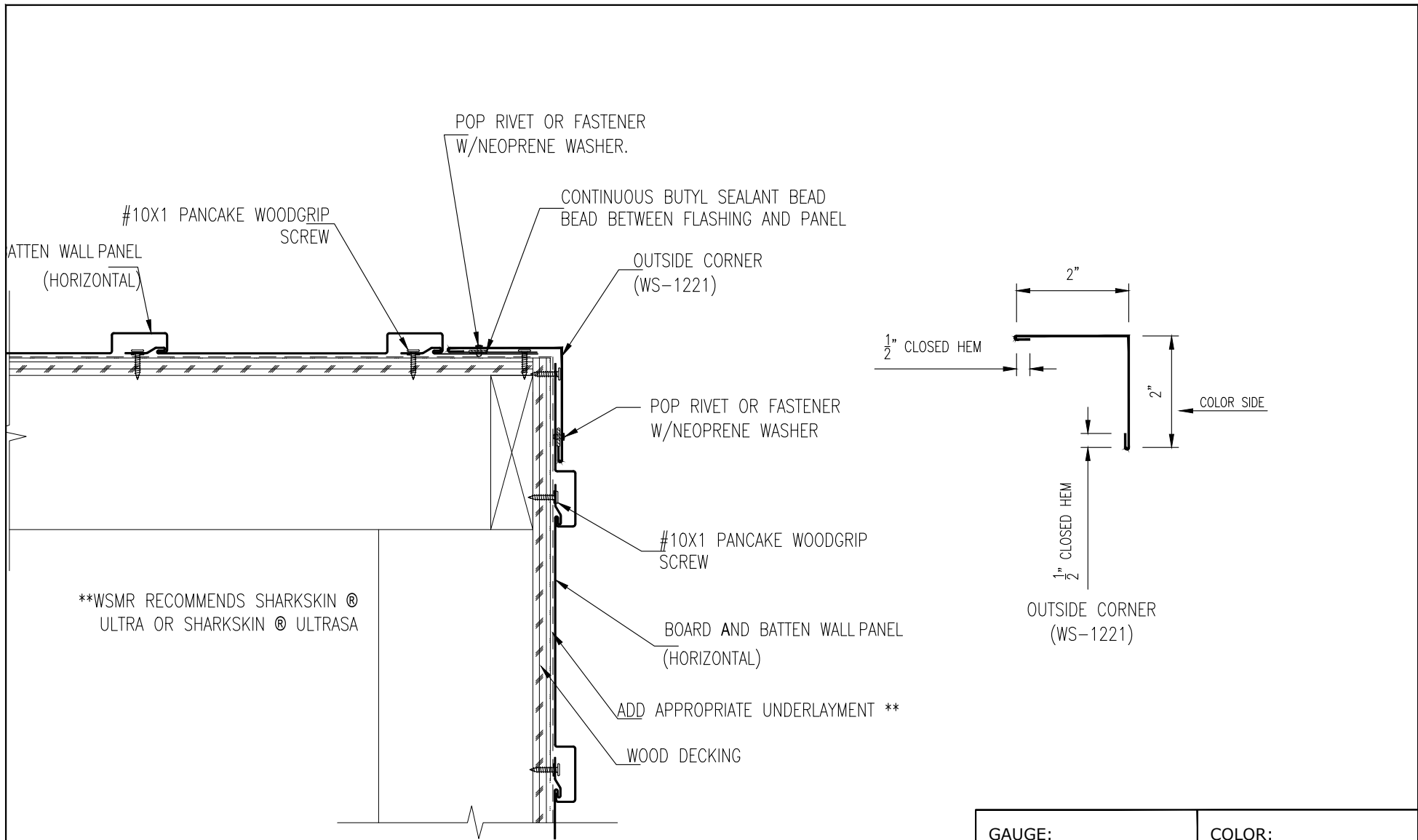


Western States Metal Roofing

901 W. Watkins St.
 Phoenix, AZ 85007
www.westernstatesmetalroofing.com

Phone: (602) 495-0048
 Fax: (602) 261-7726
 877-PURLINS (787-5467)





**WSMR RECOMMENDS SHARKSKIN ®
ULTRA OR SHARKSKIN ® ULTRASA

GAUGE: _____		COLOR: _____	
LENGTH: _____		FINISH: _____	
MATERIAL: _____			
OUTSIDE CORNER VERTICAL DETAIL OP.2			
		A	7-18-2023
PANEL TYPE: BOARD AND BATTEN		REV:	DATE:
		DETAIL #: WP-WSD-W40	

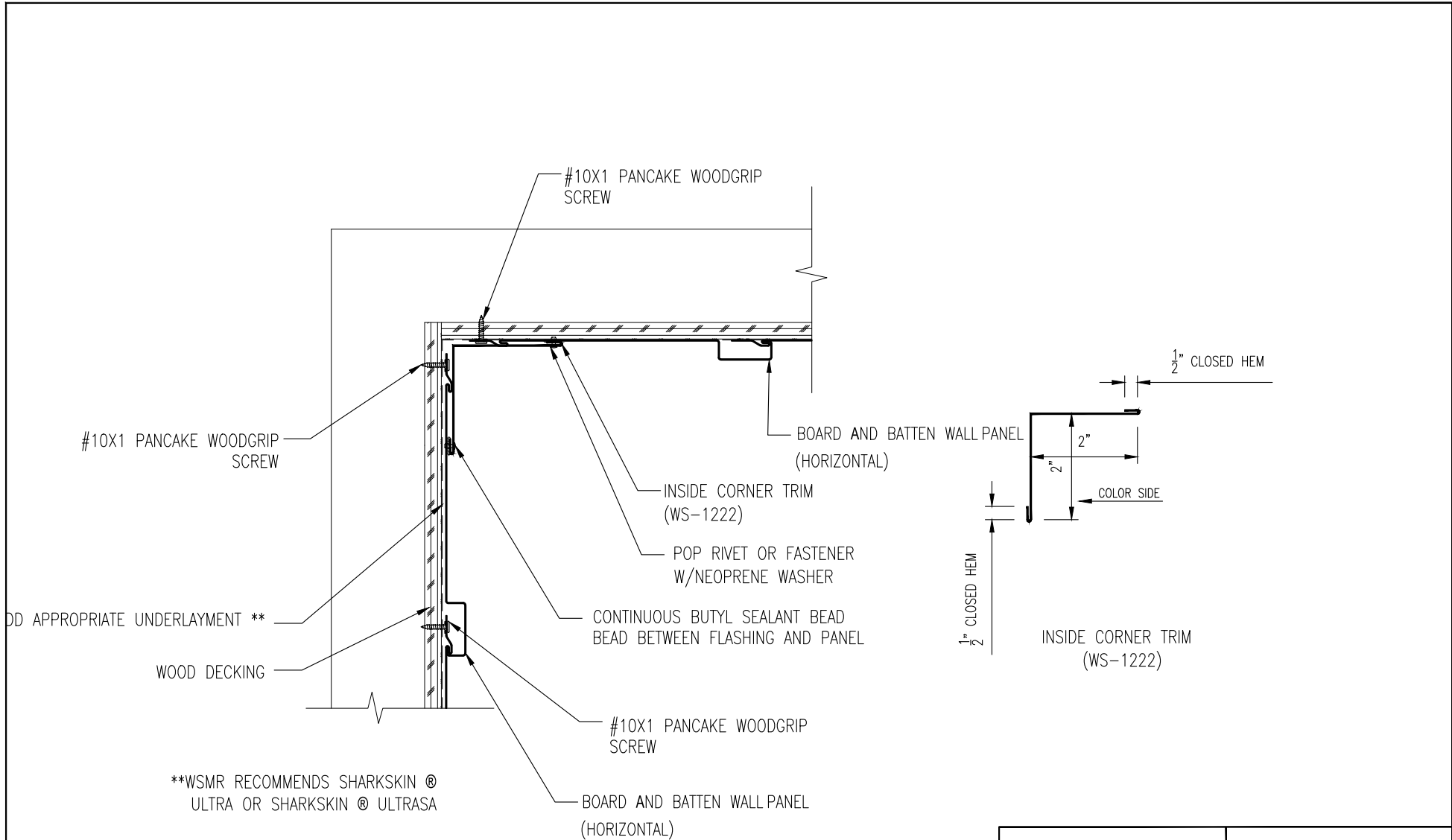


Western States Metal Roofing

901 W. Watkins St.
Phoenix, AZ 85007
www.westernstatesmetalroofing.com

Phone: (602) 495-0048
Fax: (602) 261-7726
877-PURLINS (787-5467)





**WSMR RECOMMENDS SHARKSKIN @ ULTRA OR SHARKSKIN @ ULTRASA

GAUGE: _____	COLOR: _____
LENGTH: _____	FINISH: _____
MATERIAL: _____	



Western States Metal Roofing

901 W. Watkins St.
 Phoenix, AZ 85007
www.westernstatesmetalroofing.com

Phone: (602) 495-0048
 Fax: (602) 261-7726
 877-PURLINS (787-5467)



INSIDE CORNER VERTICAL DETAIL OP 2		
	A	7-18-2023
PANEL TYPE: BOARD AND BATTEN	REV:	DATE:
	DETAIL #: WP-WSD-W41	

CUSTOM TRIM

GAUGE: _____	COLOR: _____	
BREAKS: _____	FINISH: _____	
LENGTH: _____	STRETCH OUT: _____	
MATERIAL: _____		
CUSTOM TRIM NAME: _____		
	A	07-18-2023
PANEL TYPE: BB-12	REV:	DATE:
	DETAIL #: WP-WSD-CT42	



Western States Metal Roofing

901 W. Watkins St.
Phoenix, AZ 85007
www.westernstatesmetalroofing.com

Phone: (602) 495-0048
Fax: (602) 261-7726
877-PURLINS (787-5467)



